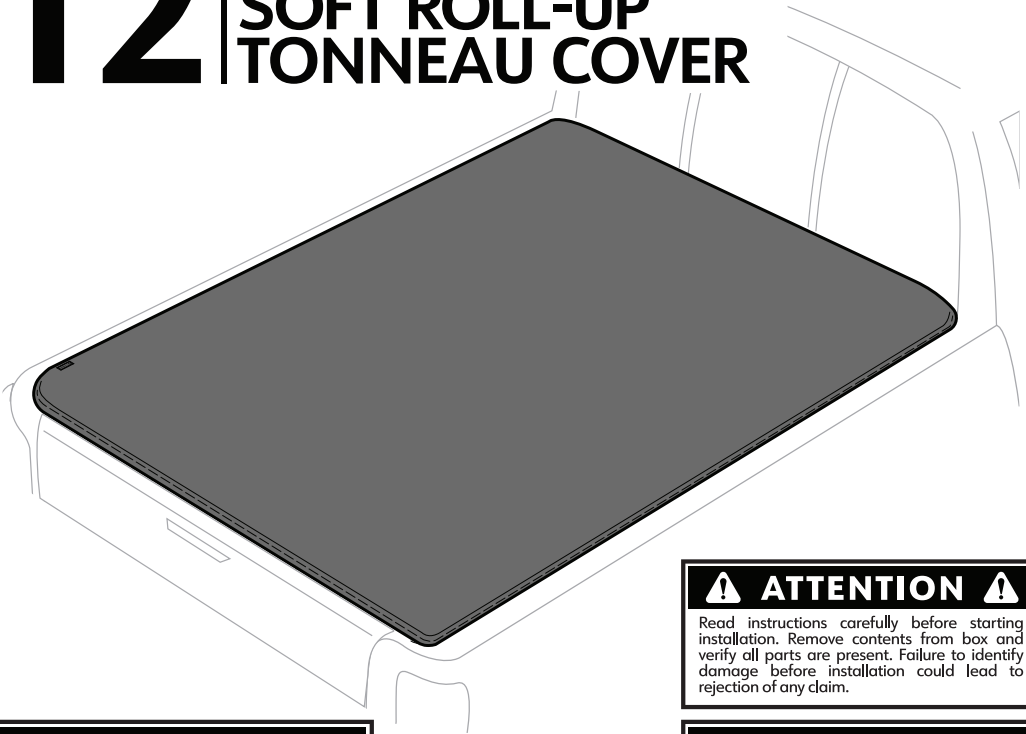




TYGER®

T2 | LOW PROFILE SOFT ROLL-UP TONNEAU COVER



⚠ ATTENTION ⚠
 Read instructions carefully before starting installation. Remove contents from box and verify all parts are present. Failure to identify damage before installation could lead to rejection of any claim.

TOOLS REQUIRED (NOT INCLUDED)

10mm Socket 13mm Socket 14mm Socket Ratchet Wrench Phillips Screwdriver

DAMAGED or MISSING PARTS?
NEED HELP?
 contact us: **1-866-340-3038**

PARTS LIST (ONLY MARKED ITEMS ARE INCLUDED)

<input checked="" type="checkbox"/> Bed Cover	<input type="checkbox"/> SP-BC2004B	<input type="checkbox"/> SP-BC2005	<input type="checkbox"/> SP-BC0003
	<input checked="" type="checkbox"/> SP-BC2035 (L & R)	<input type="checkbox"/> SP-BC2006	<input type="checkbox"/> SP-BC0004
<input checked="" type="checkbox"/> Side Rails (L & R)	<input type="checkbox"/> SP-BC0006	<input type="checkbox"/> SP-BC2036	<input type="checkbox"/> SP-BC0005
	<input type="checkbox"/> SP-BC0007	<input type="checkbox"/> SP-BC2037	<input type="checkbox"/> SP-BC0007
			<input type="checkbox"/> Front Seal Strip 170 x 2.5 x 1 cm
			<input type="checkbox"/> Front Seal Strip 170 x 3.5 x 0.4 cm
			<input type="checkbox"/> Front Seal Strip 200 x 3 x 0.6 cm
			<input type="checkbox"/> Front Seal Strip 150 x 3 x 1.6 cm

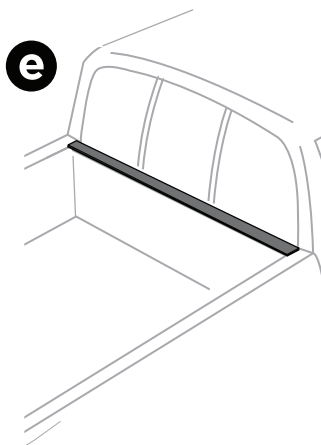
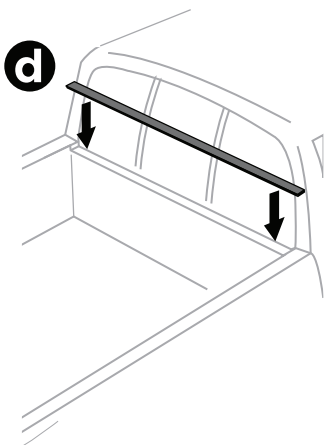
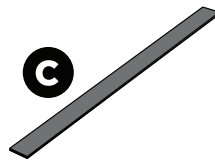
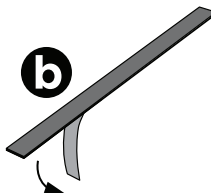
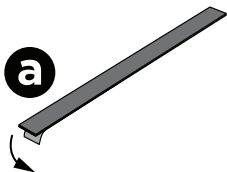
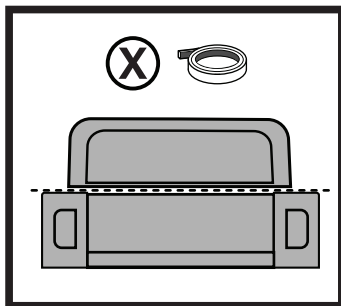
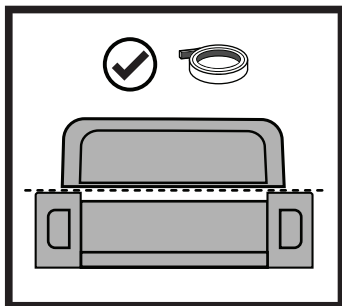
1 APPLYING SEAL STRIP ⓘ

IF THE TRUCK'S FRONT BED RAIL IS LOWER THAN THE SIDES, USE THE PROVIDED WEATHER SEAL STRIPS. GAPS ON THE FRONT BED AND TAILGATE CAN CAUSE NOISE AND FLAPPING ISSUES WHILE DRIVING ALONG WITH WATER LEAKAGE.



SEAL STRIP

Only needed for certain models





NOTES



SP-BC2004B

NOTES

The front and rear clamps should be positioned as close to the end as possible to minimize tension to the rail.

2 INSTALLING SIDE RAILS (i)

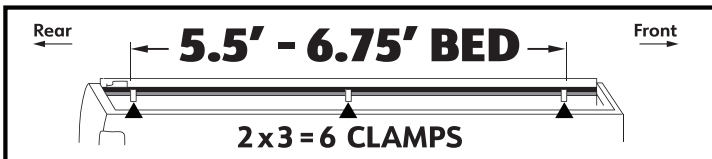
• PLACE THE DRIVER-SIDE COVER RAIL ON THE DRIVER-SIDE BED RAIL. THEN EVENLY SPACE AND ATTACH THE SUPPLIED CLAMPS TO SECURE THE SIDE RAIL TO THE BED RAIL LIP. DO NOT TIGHTEN CLAMPS UNTIL COVER IS FITTED PROPERLY. FOLLOW THE SAME STEPS FOR THE PASSENGER-SIDE.

NOTE: FOR TOYOTA AND NISSAN MODELS WITH FACTORY UTILITY TRACKS, REFER TO PAGE 11-12 FOR SPECIAL INSTRUCTION ON UTILITY TRACK BRACKET INSTALLATION.

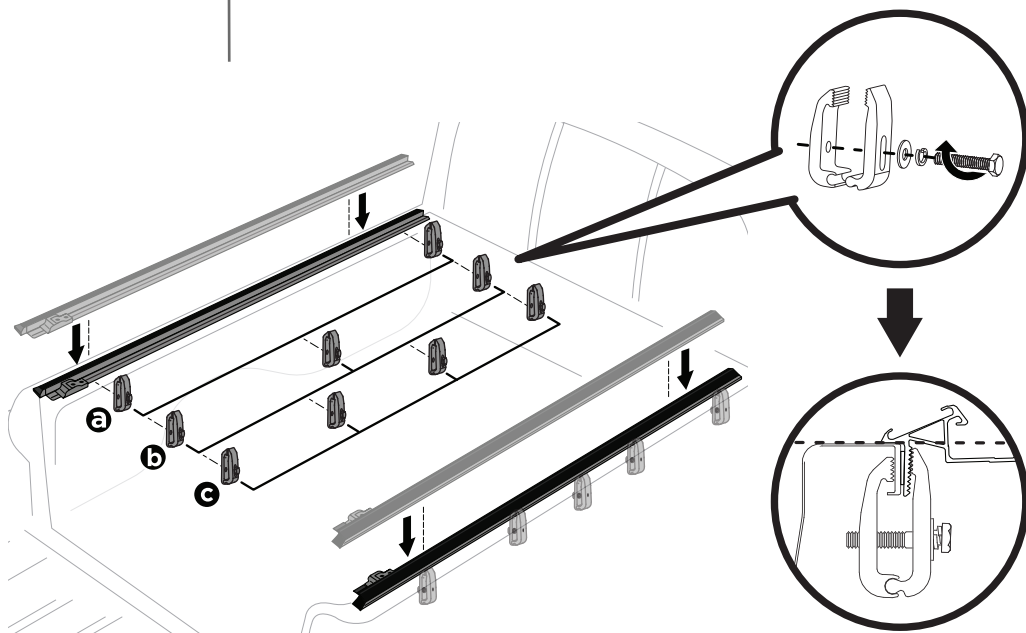
a



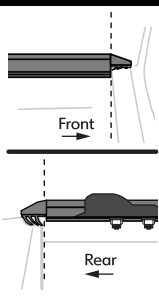
b



c



Clamps **MUST** be attached securely to the metal part of the truck bed rail lips


ATTENTION

NOTE


L: Driver Side



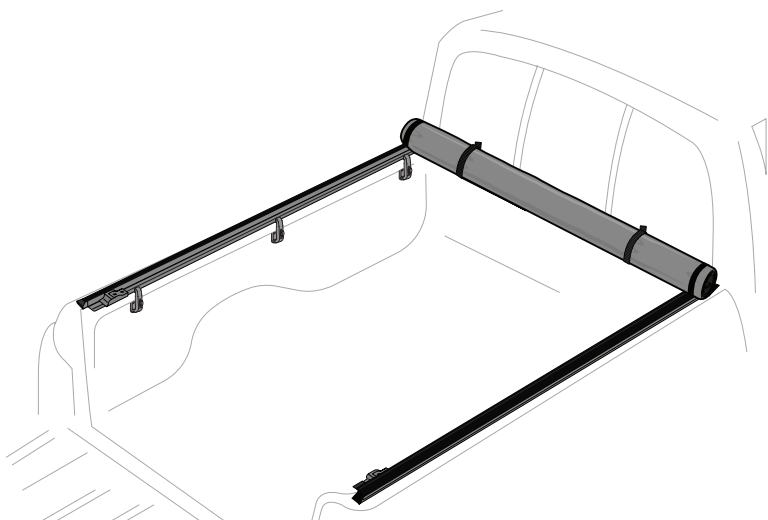
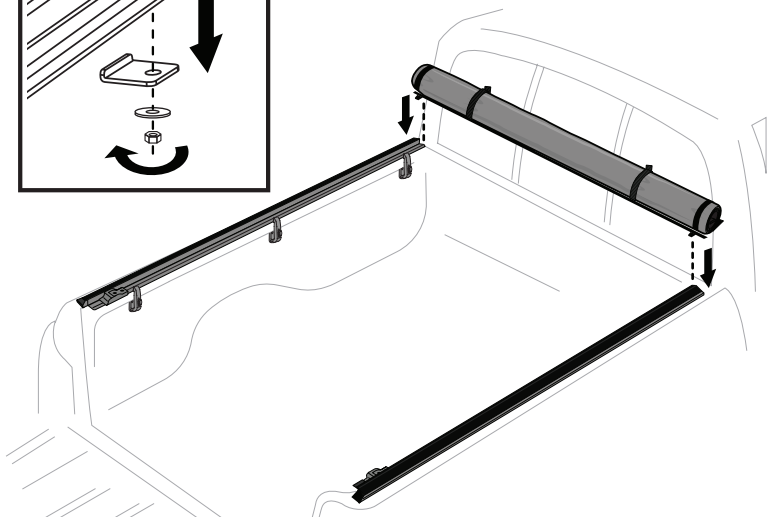
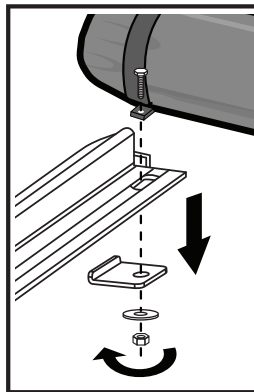
R: Passenger Side

SP-BC2035


Confirm the **L** or **R** lettering on the bottom of the brackets to determine which one to use for either side.

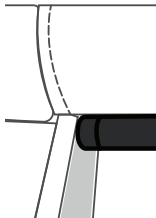
3 INSTALLING COVER ASSEMBLY ⓘ

- PLACE THE COVER ASSEMBLY ON THE FRONT BED RAIL. MAKE SURE THE FRONT RUBBER SEAL IS NOT TUCKED UNDER THE COVER.
- FEED THE T-BOLT THROUGH THE TABS ON THE COVER ASSEMBLY AND INTO THE SLOTTED HOLE ON THE SIDE RAILS AND BOTTOM BRACKETS.
- TIGHTEN WITH THE SUPPLIED LOCK WASHER AND NUT TO SECURE THE BULKHEAD ASSEMBLY.





ATTENTION



Incorrect positioning of the crossbars can cause water to pool on the cover.

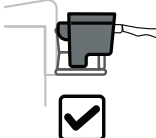
ATTENTION



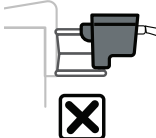
Horizontal crossbars are arched by design to help drain and prevent water pooling. Make sure the arched side is facing up during installation.



WARNING!



In channel



NOT in channel

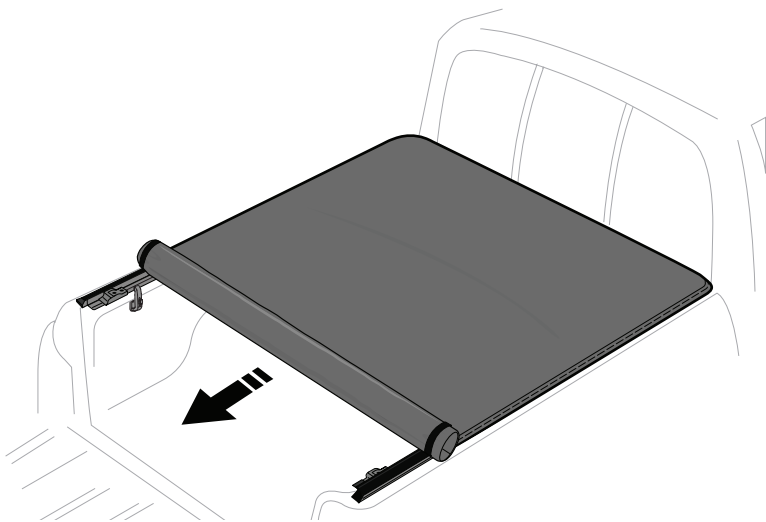
Latch head that is out of position can cause damage to the channel.

NOTE

For latching issue, refer to PAGE 10 for trouble shooting instruction.

4 ROLLING OUT THE COVER ⓘ

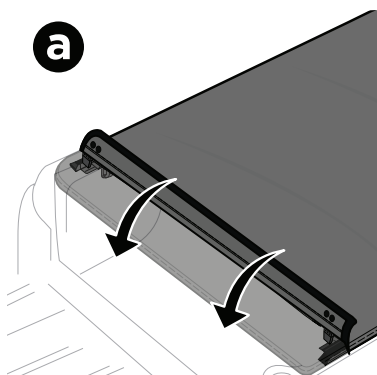
- UNHOOK THE SAFETY STRAPS.
- MAKE SURE THE ENDS OF THE CROSSBARS ARE RESTING ON THE SIDE RAIL LEDGES AND CROSSBARS ARE ARCHED UPWARD.



5 LOCKING THE COVER ⓘ

- PUSH DOWN THE END OF THE COVER WITH SUFFICIENT FORCE TO CLOSE IT.
- THE COVER MUST BE CLOSED FIRST BEFORE YOU SHUT THE TAILGATE.

a



b



CLICK!!!



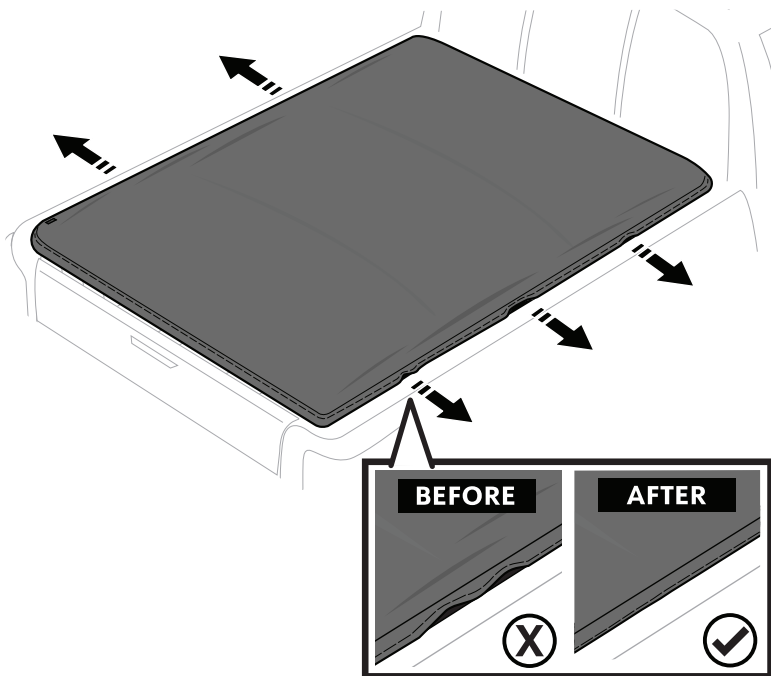
NOTE



Velcro Strips must be fully fastened to prevent water from leaking in.

6 STRAIGHTENING OUT THE COVER

- STRETCH OUT THE COVER TARP ON BOTH SIDES TO REMOVE ANY WRINKLES AND MAKE SURE BOTH VELCRO STRIPS ARE PROPERLY FASTENED AND SEALED TO PREVENT WATER LEAK.

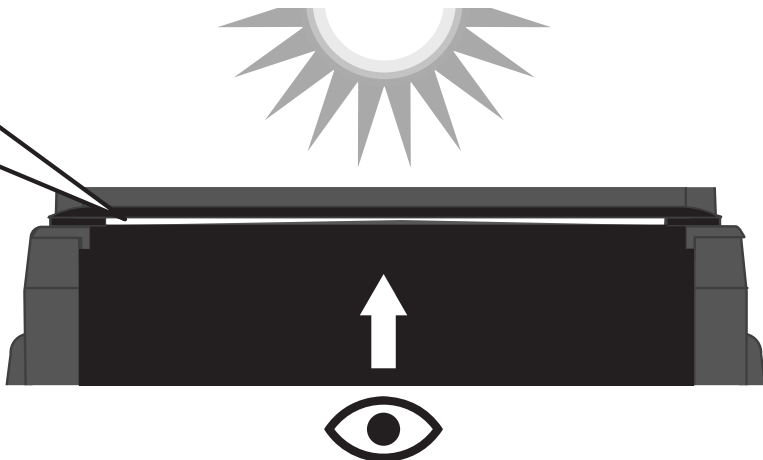


SEAL STRIP

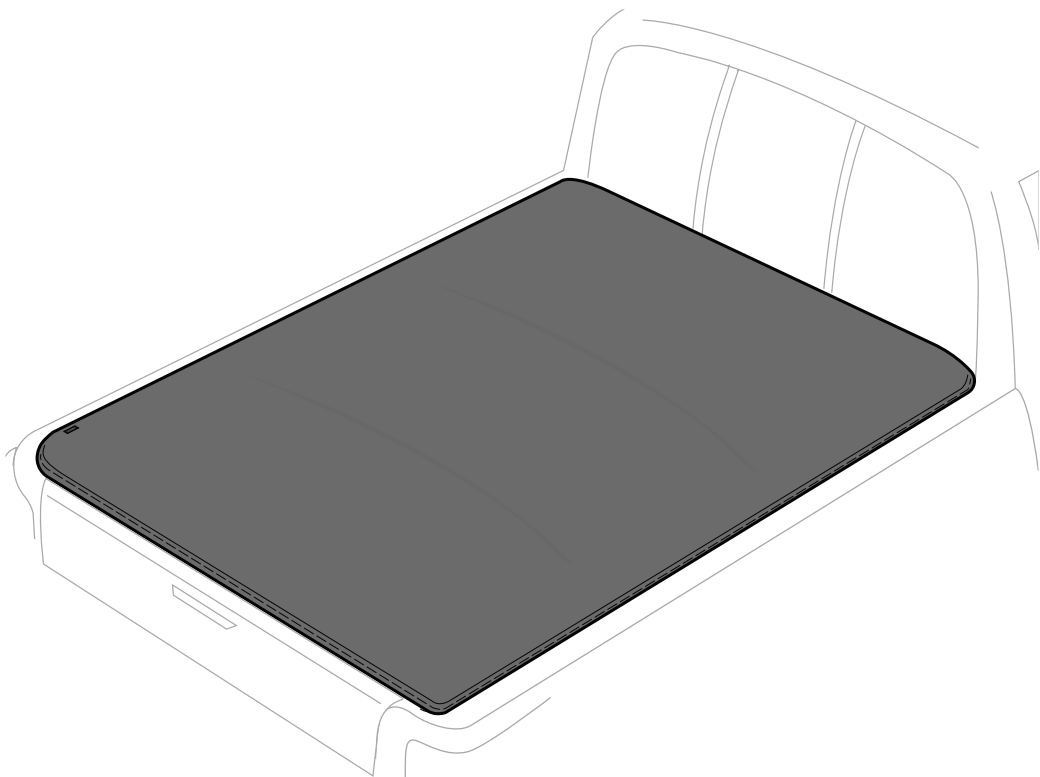


7 CHECKING FOR GAPS

- WITH THE TAILGATE OPEN, VISUALLY INSPECT FOR LIGHT LEAKING THROUGH THE GAPS. APPLY ADDITIONAL SEALING STRIPS TO FILL THE GAPS THEN REINSPECT AND REPEAT.



INSTALLATION COMPLETE!!!



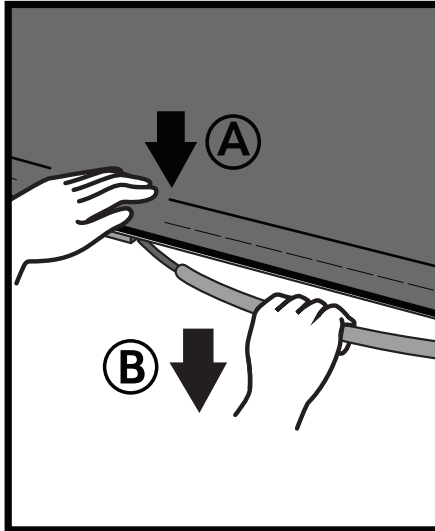
AFTER INSTALLATION

8 RELEASING THE COVER ⓘ



NOTE

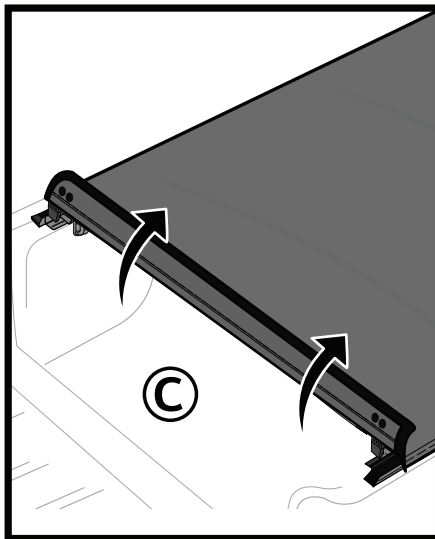
Pressing down on the cover edge will improve the release.



- OPEN THE TAILGATE AND PUSH DOWN AGAINST THE COVER EDGE WITH ONE HAND.



- PULL ON LATCH CABLE TO RELEASE THE COVER WITH THE OTHER HAND.



- ROLL UP THE COVER CLOSELY.

9 ROLLING UP THE COVER ⓘ



ATTENTION

Make sure the cover is free from any debris before rolling it up. Safety straps must be buckled and tightened before driving.

NOTE

Cover may not fully cover all the way to the outer edges of the bed rails due to small variance in bed sizes from different year models.



DO NOT overload cargo



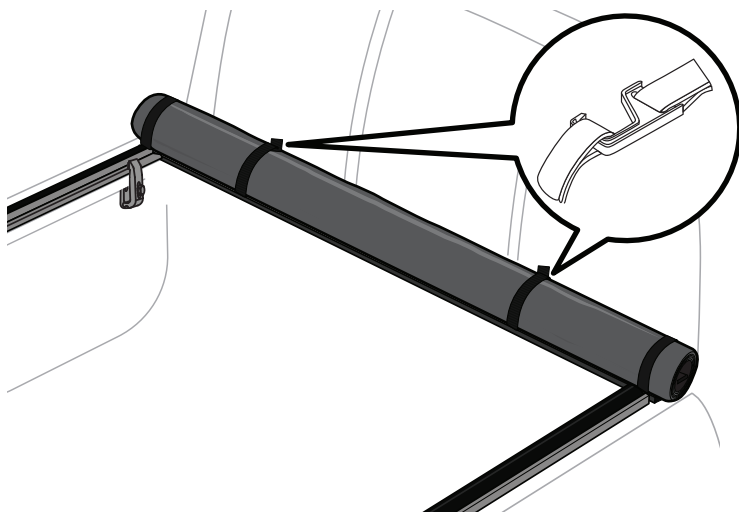
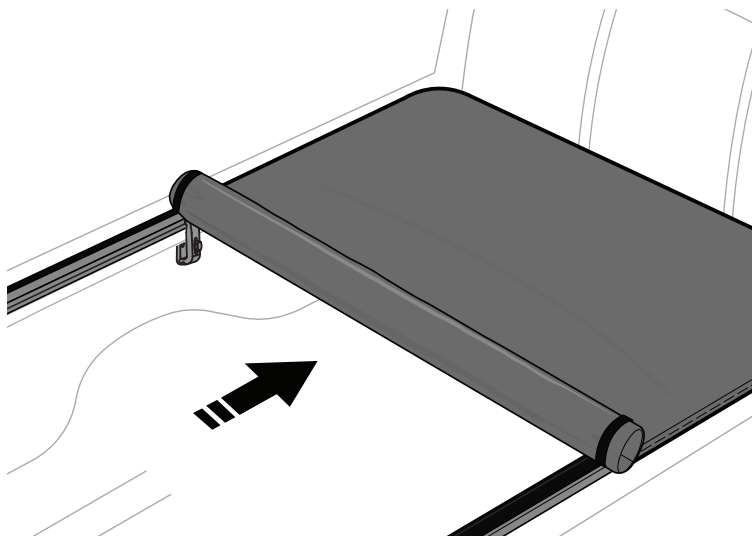
Secure strap buckles before driving



Remove snow before rolling up cover



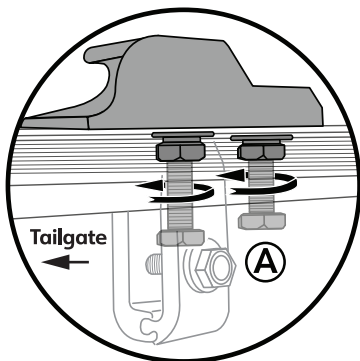
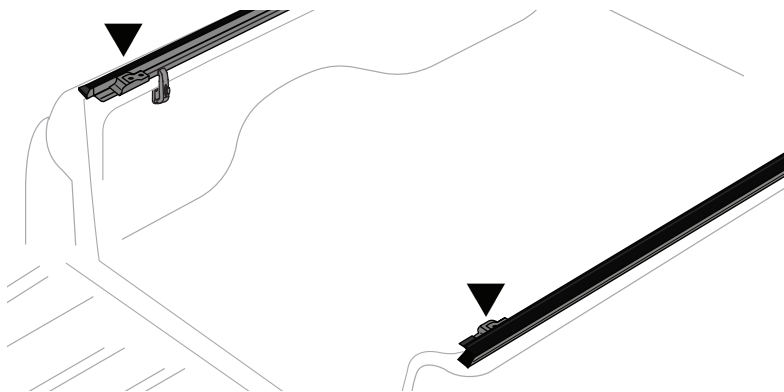
Use water and soap to clean. Avoid abrasive chemical cleaners



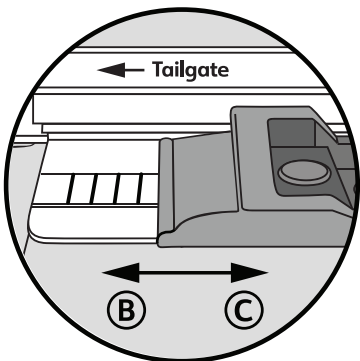
10 SELF-MAINTENANCE THE TENSION CONTROL SYSTEM ⓘ

NOTE: TENSION PLATE ADJUSTMENT IS NOT REQUIRED FOR BRAND-NEW TONNEAU COVERS.

IF THE TENSION BETWEEN THE BULKHEAD & TENSION PLATE HAS BECOME LOOSE OR TIGHT OVER TIME, YOU CAN ADJUST THE TENSION PLATE POSITION TO IMPROVE THE TENSION CONTROL.



- (A)**
- LOOSEN THE SCREWS UNDERNEATH THE TENSION PLATE TO ALLOW THE TENSION PLATE TO SLIDE BACK AND FORTH.



- (B)**
- TO TIGHTEN THE TENSION (LATCH IS TOO LOOSE), MOVE THE TENSION PLATE TOWARDS THE TAILGATE.
- (C)**
- TO LOOSEN THE TENSION (LATCH IS TOO TIGHT), MOVE THE TENSION PLATE AWAY FROM THE TAILGATE.



NOTE

Only move one increment at a time. Each increment gives you 1/8" of tension adjustment. Apply the same adjustment to both sides' tension plates.

11 FOR MODELS WITH **UTILITY TRACKS**

NOTE: REFER TO **PAGE 3** FOR CLAMP ASSEMBLY BREAKDOWN IN RELATION TO QTYS VS BED SIZE

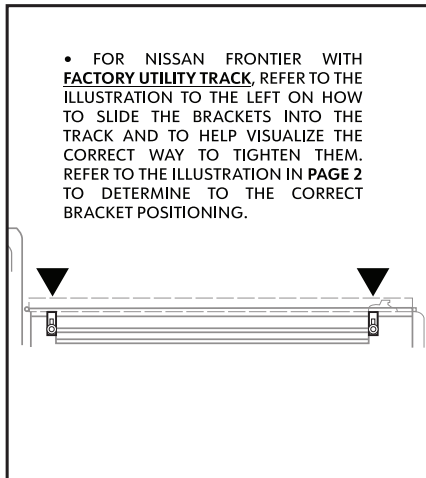
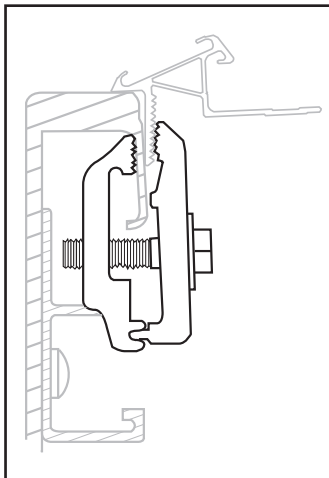


NOTE



SP-BC2005

For **NISSAN FRONTIER** ⓘ

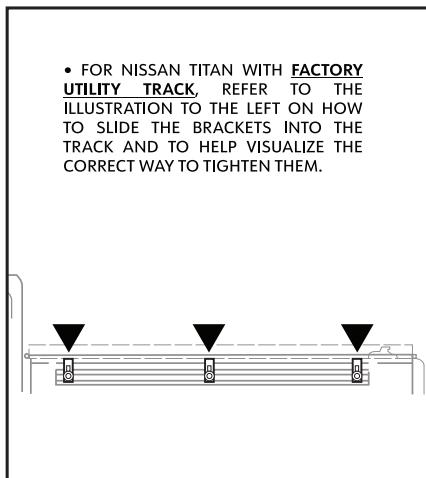
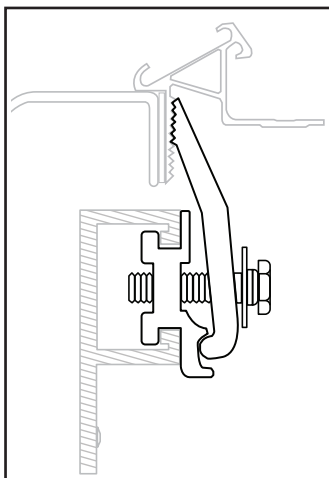


NOTE



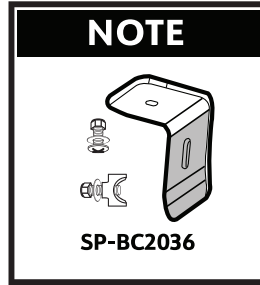
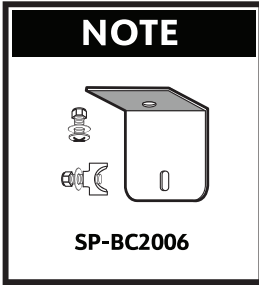
SP-BC2037

For **NISSAN TITAN** ⓘ

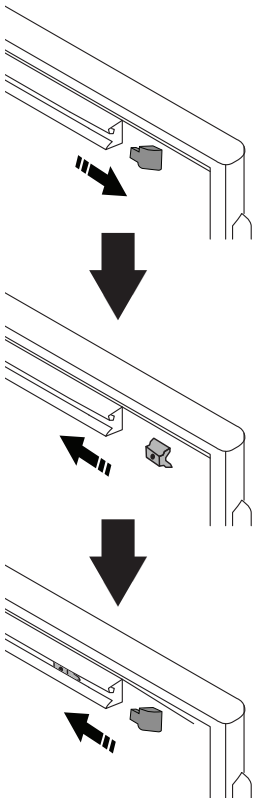


For **TOYOTA TACOMA** ⓘ

For **TOYOTA TUNDRA** ⓘ



a



b

