



# STAR ARMOR<sup>®</sup>

TG-AM2T20758

## BEFORE INSTALLATION

READ INSTRUCTIONS CAREFULLY BEFORE STARTING INSTALLATION. REMOVE CONTENTS FROM BOX AND VERIFY ALL PARTS ARE PRESENT. FAILURE TO IDENTIFY DAMAGE BEFORE INSTALLATION COULD LEAD TO A REJECTION OF ANY CLAIM. IF MISSING PARTS OR ANY DAMAGE FOUND, PLEASE TAKE A PICTURE FOR THE CLAIM PURPOSE. TO FILE YOUR CLAIM, PLEASE VISIT: [WWW.TYGERAUTO.COM/CONTACT](http://WWW.TYGERAUTO.COM/CONTACT)

## TORQUE VALUES

Fastener Size	Class 8.8 Torque (ft-lbs)	Class 10.9 Torque (ft-lbs)
6mm	6-7	6-7
8mm	15-16	22-23
10mm	31-32	44-45
12mm	54-55	78-79
14mm	87-88	125-126

**x1** Driver/Left Side Tyger Star Armor

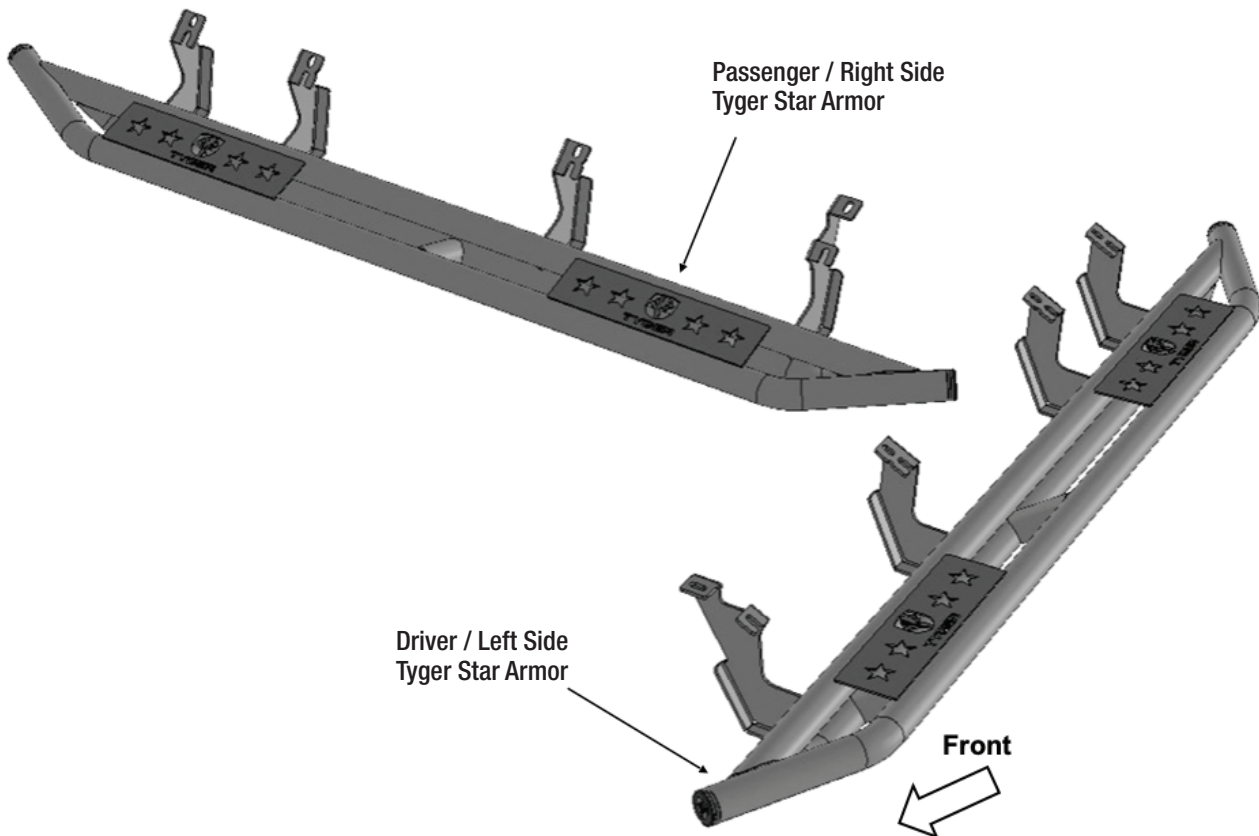
**x1** Passenger/Right Side Tyger Star Armor

**x16** 8mm x 30mm Hex Bolts

**x16** 8mm Lock Washers

**x16** 11mm Hole Washer Plates

## Parts List



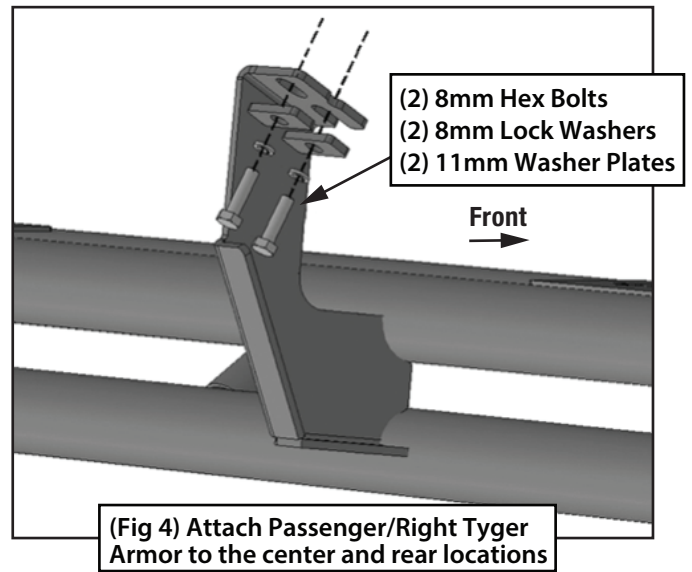
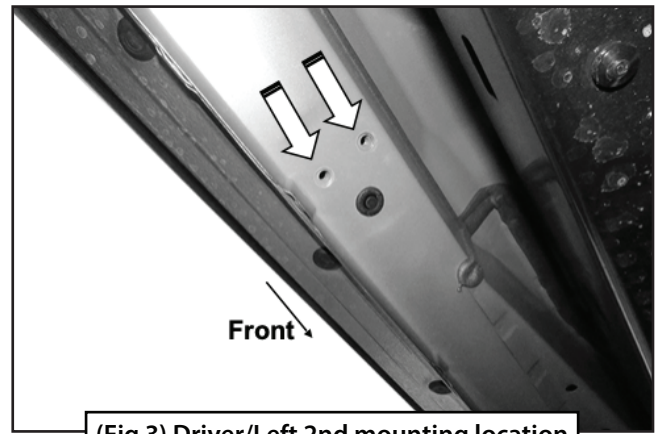
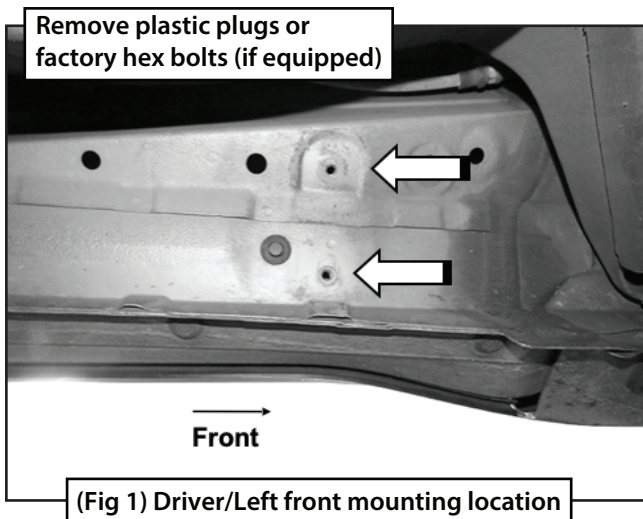
**PROCEDURE:**

REMOVE CONTENTS FROM BOX. VERIFY ALL PARTS ARE PRESENT. READ INSTRUCTIONS CAREFULLY. ASSISTANCE IS HIGHLY RECOMMENDED.

**STEP 1**

Starting from underneath the Driver/left body panel, locate the front mounting location and remove the plastic plugs or hex bolts covering the (2) threaded holes in the floor panel (Fig 1).

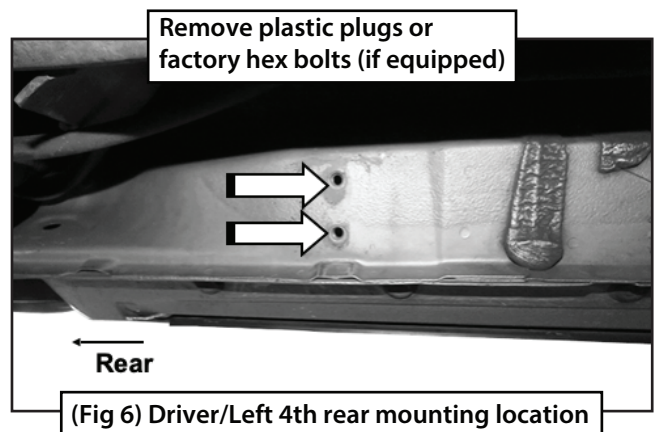
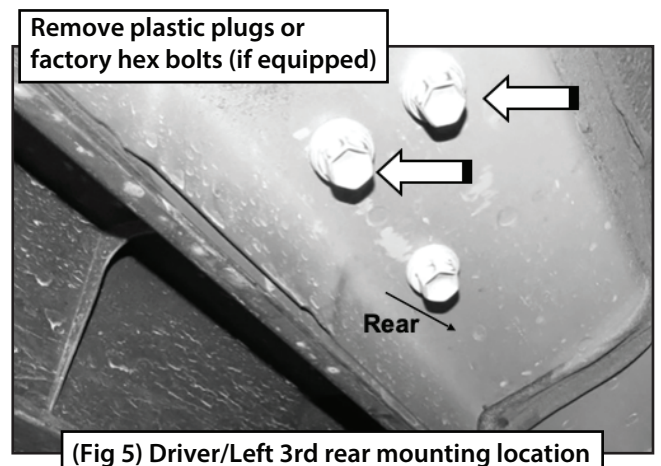
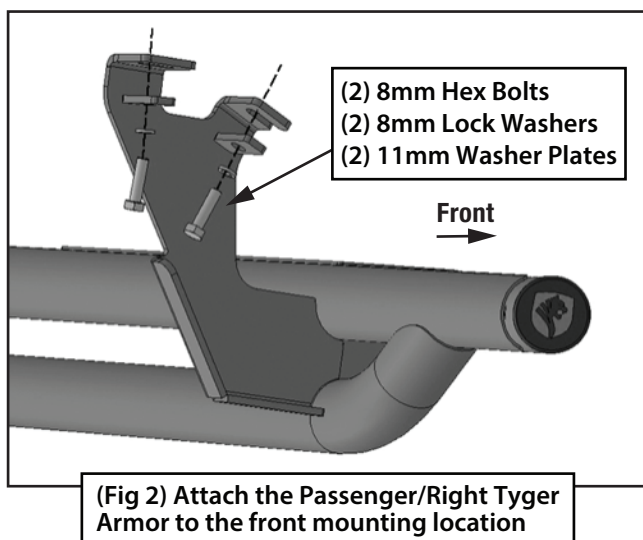
**Driver/Left Side Installation Pictured**



**STEP 2**

Select the Driver/Left Tyger Armor. With assistance, attach the Tyger Armor to the 4 mounting locations with (8) 8mm Hex Bolts, (8) 8mm Lock Washers and (8) 11mm Hole Washer Plates (Fig 2-6), DO NOT tighten hardware.

**Driver/Left Side Installation Pictured**



---

**STEP 3**

Level and adjust the Tyger Armor and tighten all hardware.

---

**STEP 4**

Repeat **STEPS 1-3** to attach the Passenger/Right Tyger Armor.

---

**STEP 5**

Do periodic inspections to the installation to make sure that all hardware is secure and tight.