



TYGER BLADE

TG-BL3T7078

BEFORE INSTALLATION

READ INSTRUCTIONS CAREFULLY BEFORE STARTING INSTALLATION. REMOVE CONTENTS FROM BOX AND VERIFY ALL PARTS ARE PRESENT. FAILURE TO IDENTIFY DAMAGE BEFORE INSTALLATION COULD LEAD TO A REJECTION OF ANY CLAIM. IF MISSING PARTS OR ANY DAMAGE FOUND, PLEASE TAKE A PICTURE FOR THE CLAIM PURPOSE. TO FILE YOUR CLAIM, PLEASE VISIT: WWW.TYGERAUTO.COM/CONTACT

TORQUE VALUES

Fastener Size	Class 8.8 Torque (ft-lbs)	Class 10.9 Torque (ft-lbs)
6mm	6-7	6-7
8mm	15-16	22-23
10mm	31-32	44-45
12mm	54-55	78-79
14mm	87-88	125-126

- x2** TYGER Blade Running Boards (78in)
- x2** 8mm Long Double Bolt Plate
- x12** 8mm Lock Washer
- x2** Front Brackets [A]
- x4** 8mm Short Double Bolt Plates
- x12** 8mm x 1.25mm x 30mm Hex Bolts
- x2** Central Brackets [B]
- x12** 8mm Nylon Lock Nuts
- x24** 8mm x 24mm x 2mm Flat Washers
- x2** Rear Brackets [C]

Parts List

Top View

Front

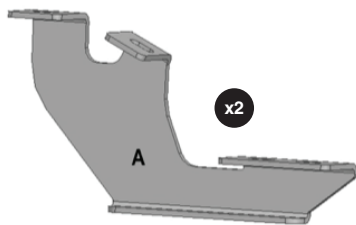


Passenger Side TYGER Blade Running Board

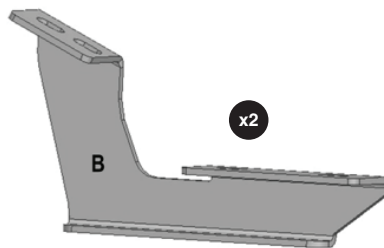
Front



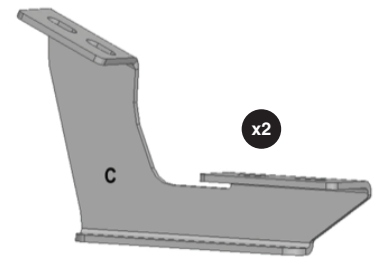
Driver Side TYGER Blade Running Boards



[A] Front Bracket



[B] Center Bracket



[C] Center Bracket

x12



8mm x 30mm Hex Bolt

x12



Locker Washer

x24



8mm x 24mm x 2mm Flat Washers

x12



8mm Nylon Lock Nut

x2



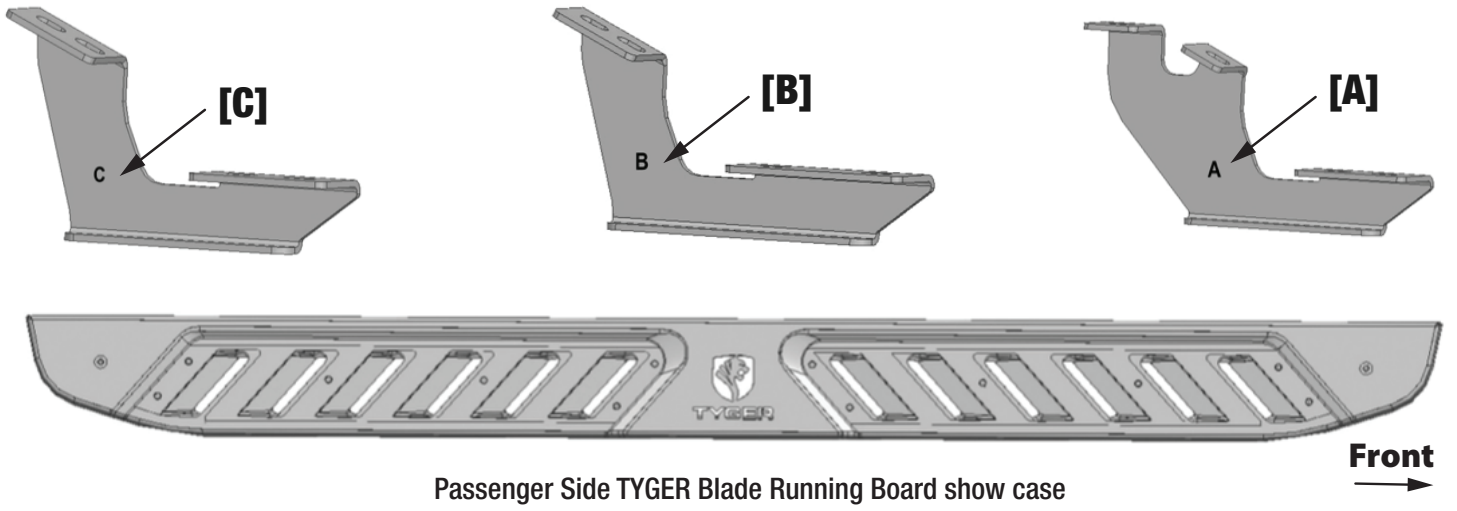
8mm Long Double Bolt Plate

x4



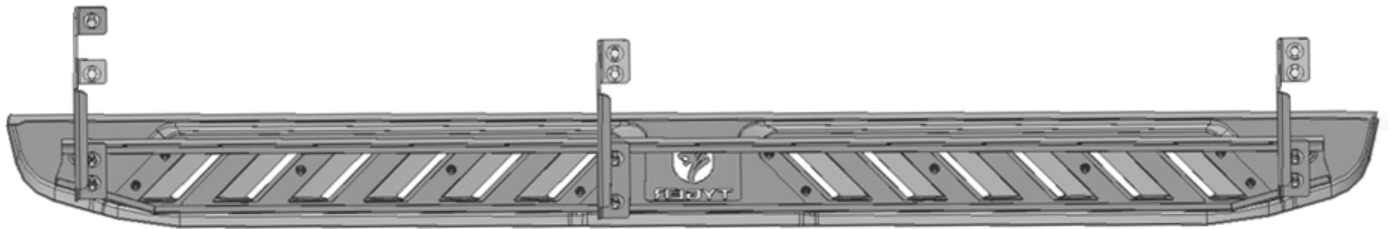
8mm Short Double Bolt Plate

Attention: Both Driver and Passenger Side have the same brackets and running boards



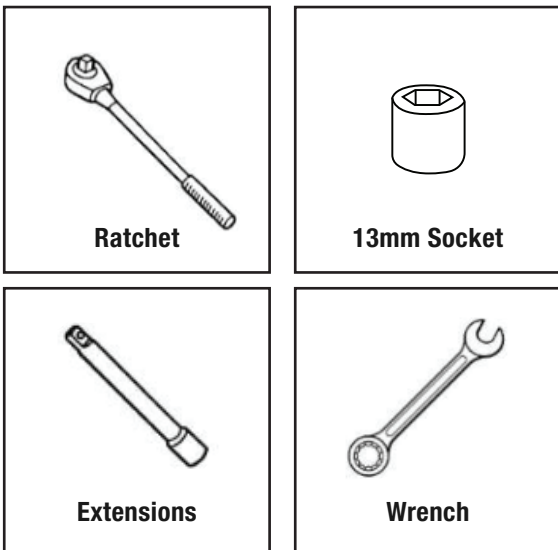
Front
←

Bottom View Assembled Running Board



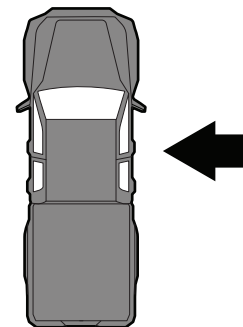
Passenger Side TYGER Blade Running Board show case

TOOLS REQUIRED



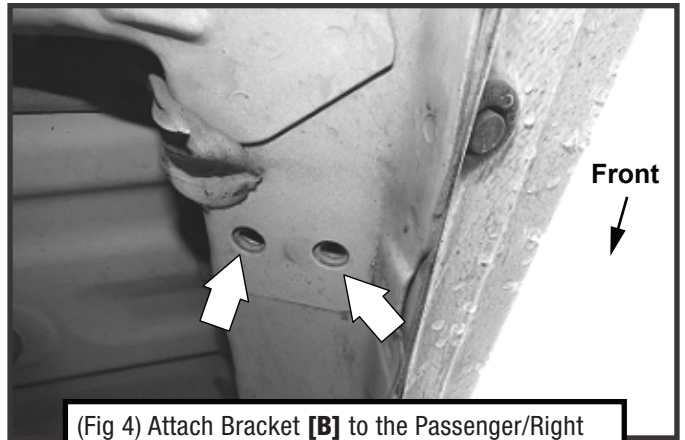
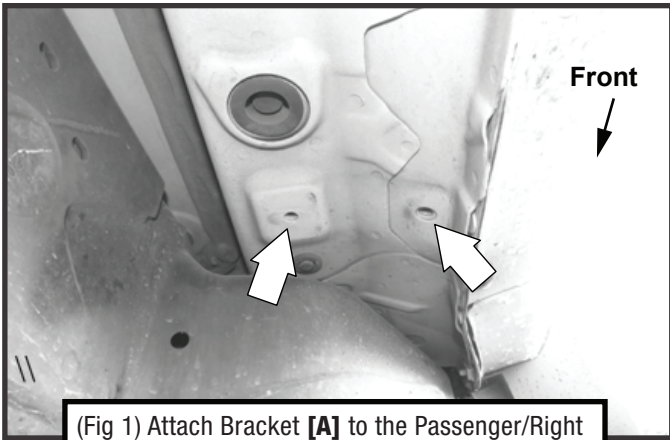
STEP 1 MOUNTING BRACKETS

Follow (Fig 1 – 9) to attach the brackets to the Passenger Side.



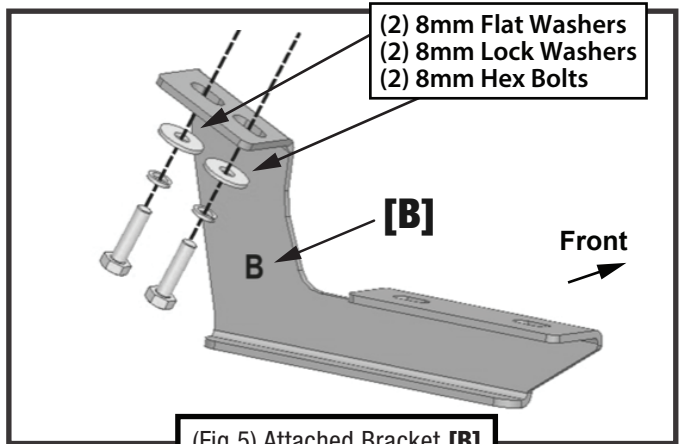
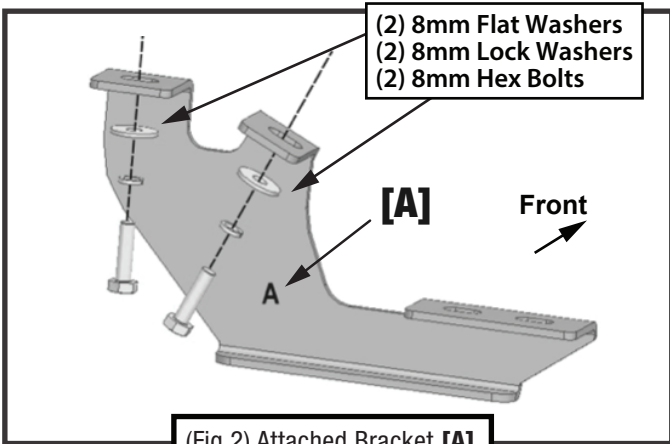
Passenger-side Front Mounting Area

Passenger-side Center Mounting Area



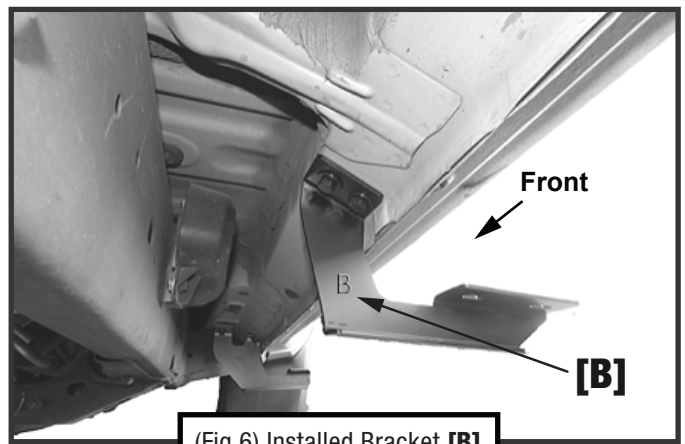
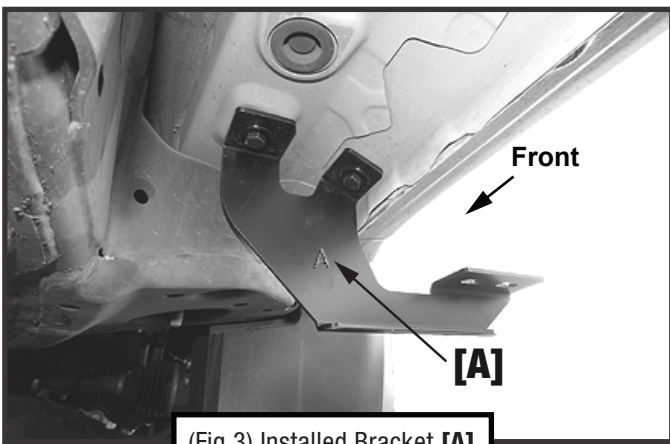
(Fig 1) Attach Bracket **[A]** to the Passenger/Right side front mounting location with threaded inserts

(Fig 4) Attach Bracket **[B]** to the Passenger/Right side center mounting location with threaded inserts



(Fig 2) Attached Bracket **[A]**

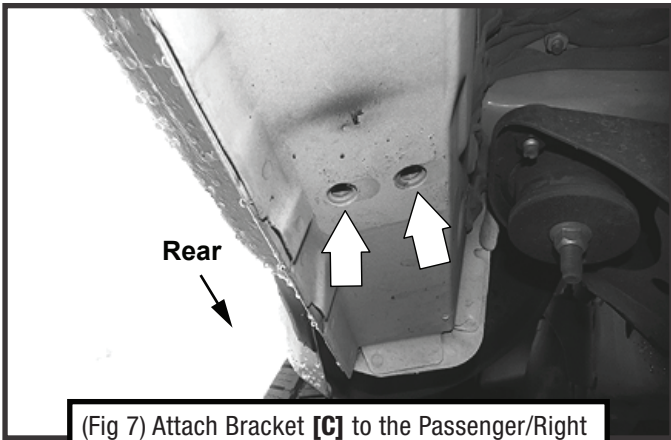
(Fig 5) Attached Bracket **[B]**



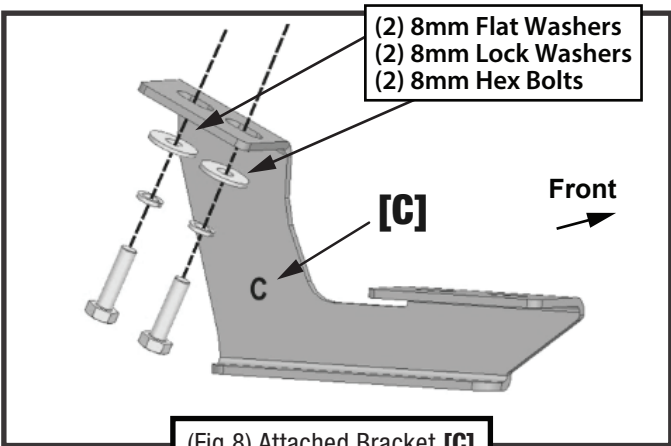
(Fig 3) Installed Bracket **[A]**

(Fig 6) Installed Bracket **[B]**

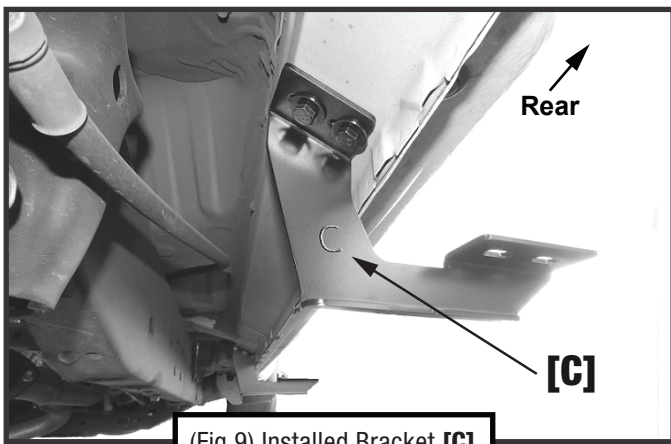
Passenger-side Rear Mounting Area



(Fig 7) Attach Bracket [C] to the Passenger/Right side rear mounting location with threaded inserts



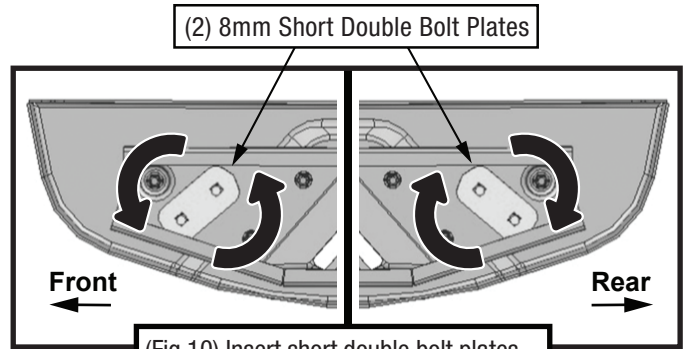
(Fig 8) Attached Bracket [C]



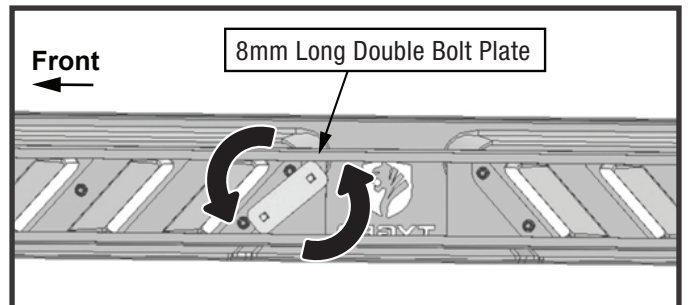
(Fig 9) Installed Bracket [C]

STEP 2 MOUNTING RUNNING BOARDS

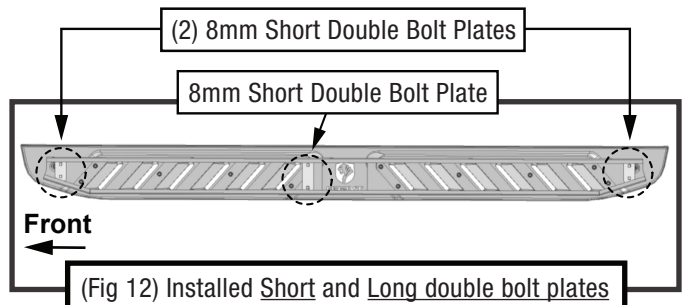
Unwrap (1) Running Board and place the Running Board on top of the (3) installed Brackets. Then follow (Fig 10 – 13) to install the Passenger Side running board.



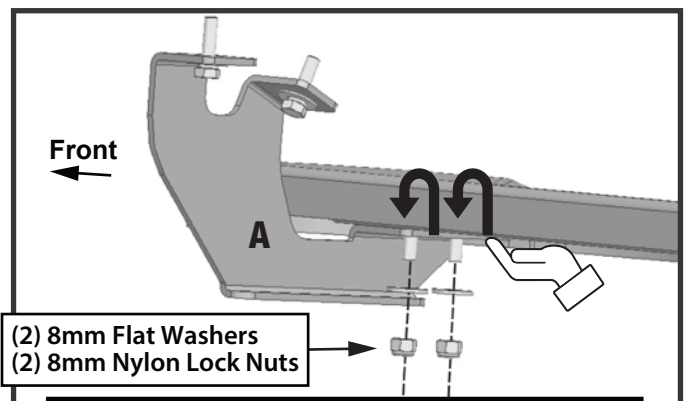
(Fig 10) Insert short double bolt plates on the **Front** and **Rear** mounting points



(Fig 11) Insert long double bolt plate on **center** mounting point



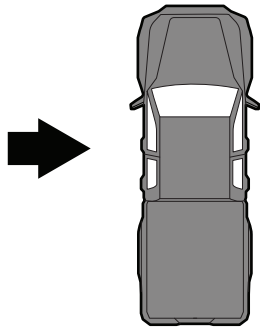
(Fig 12) Installed Short and Long double bolt plates



(Fig 13) Lift the Running Board and slide each Double Bolt Plate into the Bracket slots. Then install hardware to secure running board.

STEP 3 DRIVER SIDE

Repeat **STEPS 1-2** for driver side installation.



STEP 4

Installation is complete. Do periodic inspections to the installation to make sure that all hardware is secure and tight.



Complete Installation