



TYGER BLADE

TG-BL3T7088

BEFORE INSTALLATION

READ INSTRUCTIONS CAREFULLY BEFORE STARTING INSTALLATION. REMOVE CONTENTS FROM BOX AND VERIFY ALL PARTS ARE PRESENT. FAILURE TO IDENTIFY DAMAGE BEFORE INSTALLATION COULD LEAD TO A REJECTION OF ANY CLAIM. IF MISSING PARTS OR ANY DAMAGE FOUND, PLEASE TAKE A PICTURE FOR THE CLAIM PURPOSE. TO FILE YOUR CLAIM, PLEASE VISIT:

WWW.TYGERAUTO.COM/CONTACT

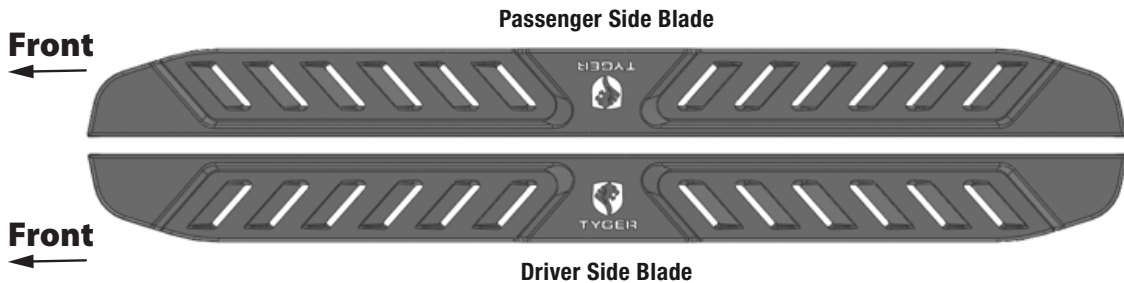
TORQUE VALUES

Fastener Size	Class 8.8 Torque (ft-lbs)	Class 10.9 Torque (ft-lbs)
6mm	6-7	6-7
8mm	15-16	22-23
10mm	31-32	44-45
12mm	54-55	78-79
14mm	87-88	125-126

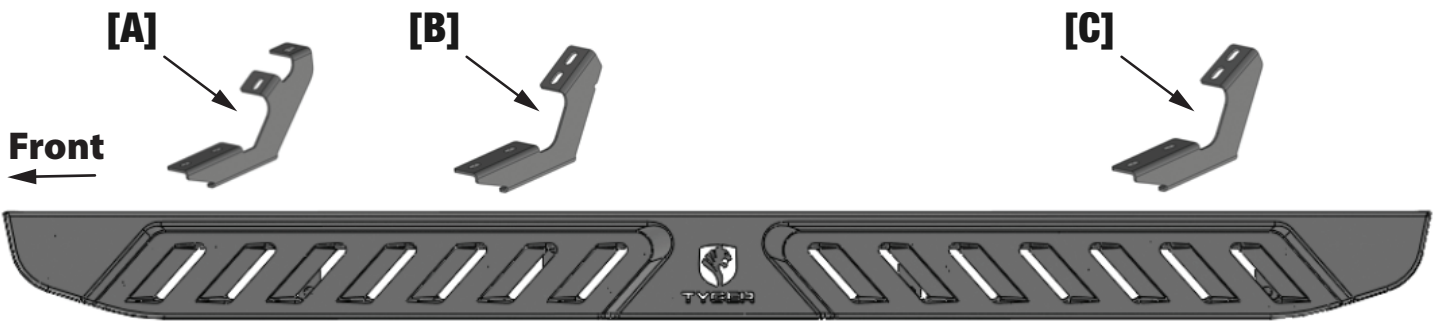
- x2 78" Running Boards
- x6 8mm Double Bolt Plates
- x12 8mm Nylon Lock Nuts
- x2 Front Mounting Brackets [A]
- x12 8-1.25mm x 30mm Hex Bolts
- x12 8mm Lock Washers
- x2 Center Mounting Brackets [B]
- x24 8mm x 24mm x 2mm Flat Washers
- x2 Rear Mounting Brackets [C]

Parts List

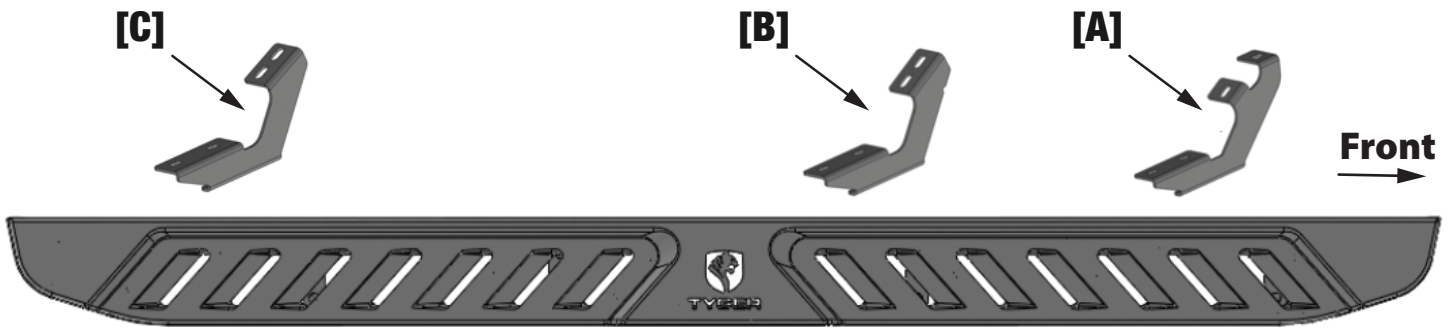
Top View



Reference the letters printed on the brackets to determine mounting locations

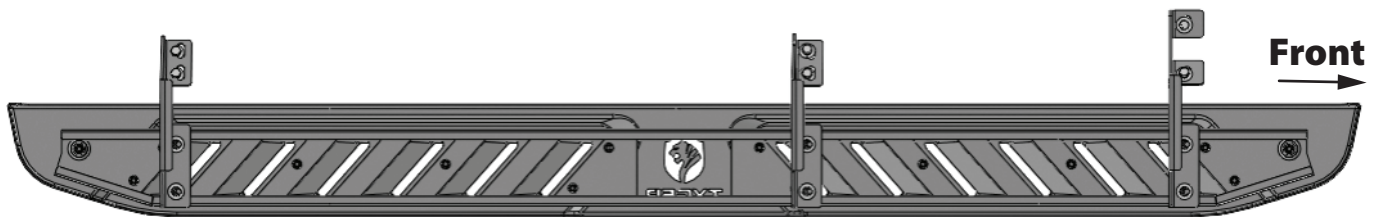


Driver Side Blade

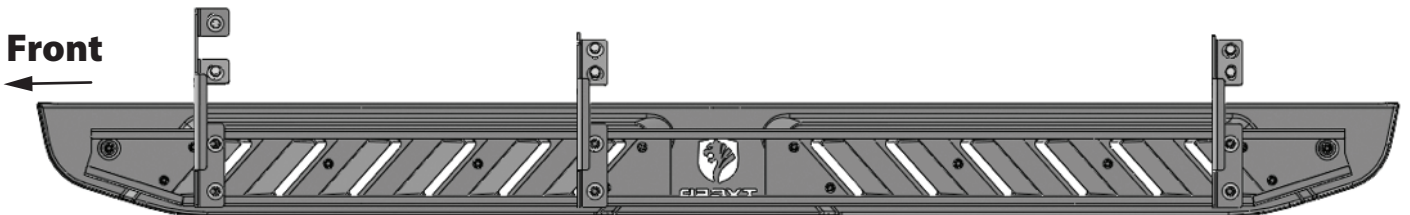


Passenger Side Blade

Bottom View

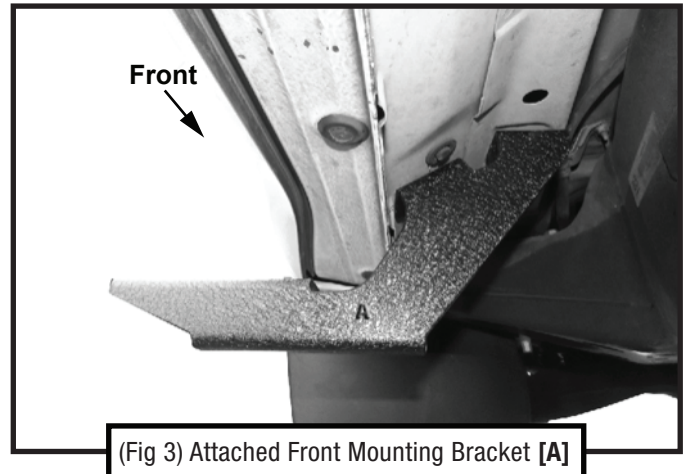
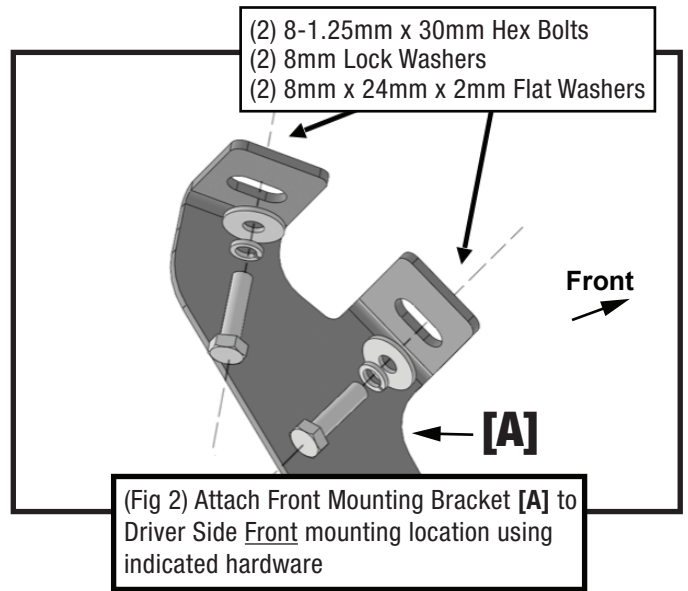
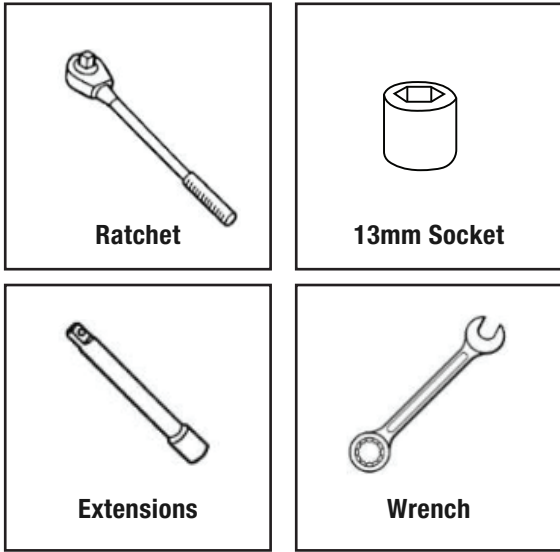


Driver Side Blade



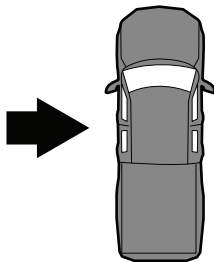
Passenger Side Blade

TOOLS REQUIRED

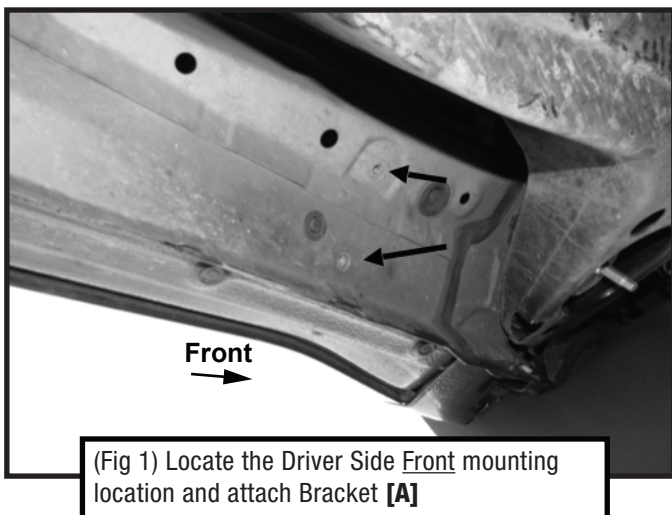


STEP 1 MOUNTING BRACKETS

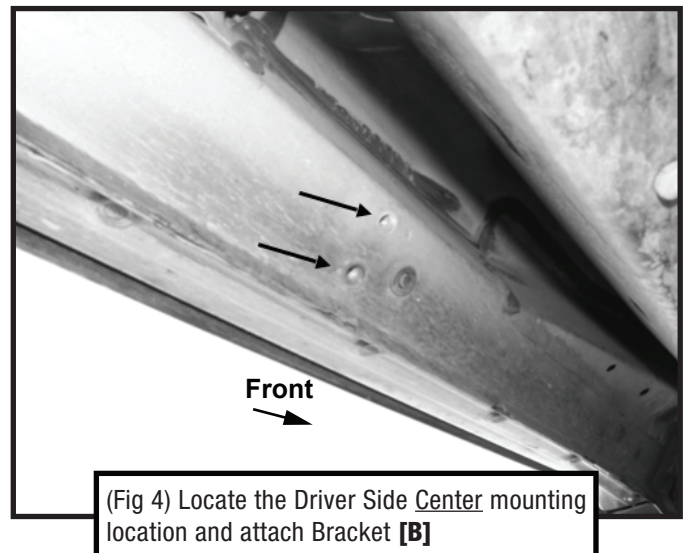
Follow (Fig 1 – 9) to attach the brackets to the Driver Side. **Only hand tighten hardware and brackets at this time.**

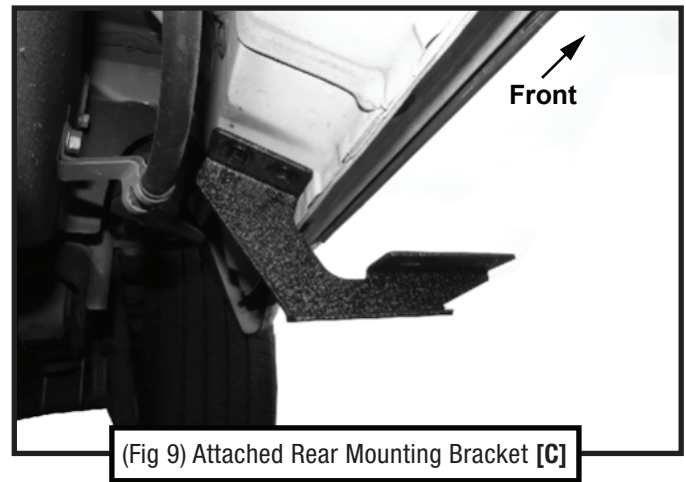
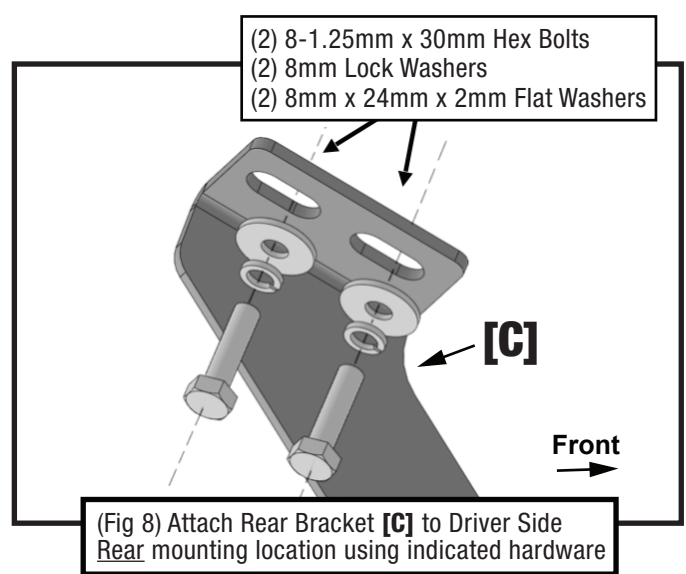
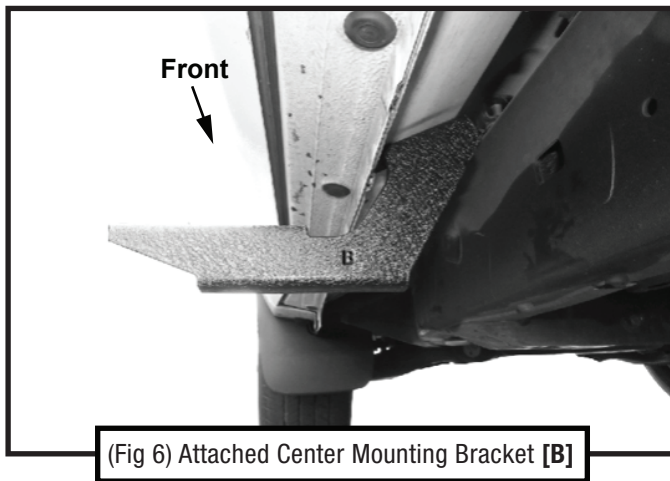
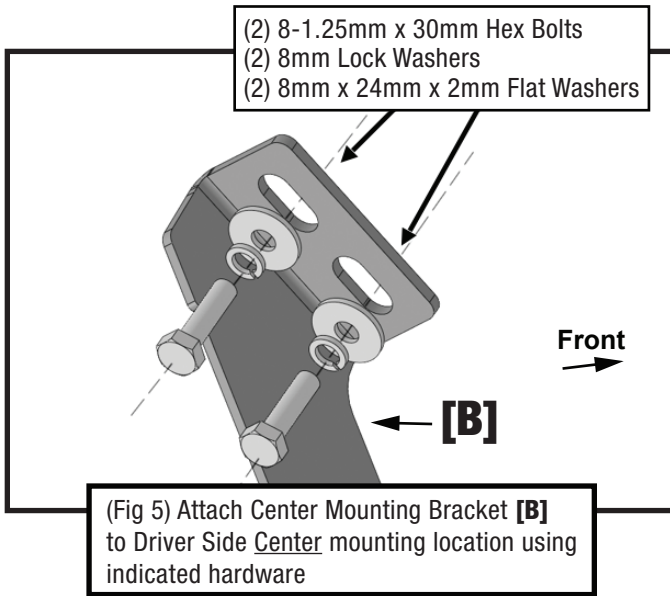


Driver-side Front Mounting Area

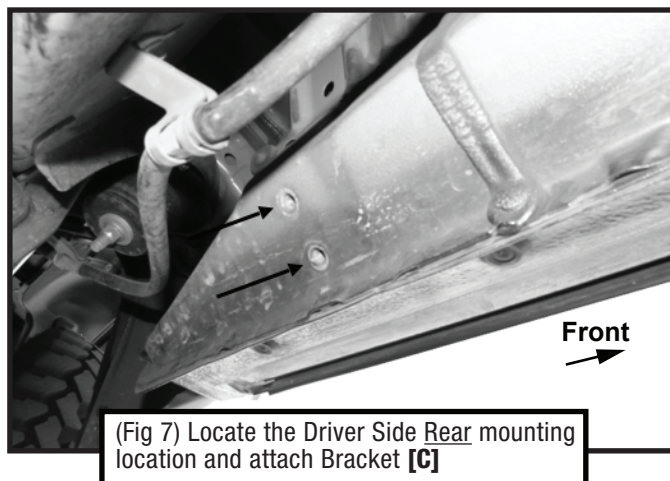


Driver-side Center Mounting Area





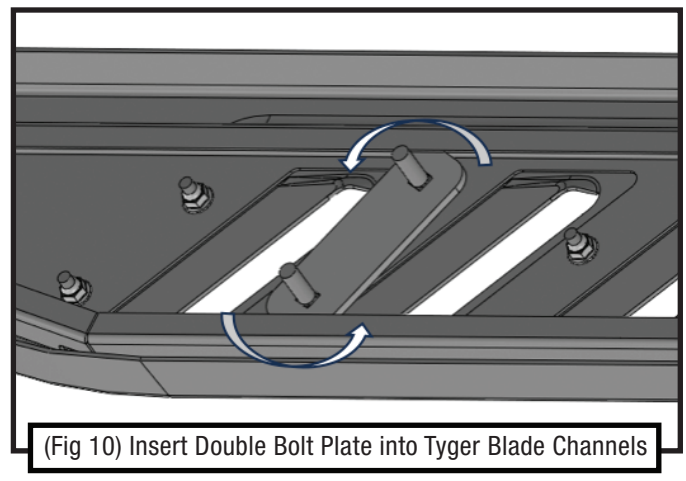
Driver-side Rear Mounting Area

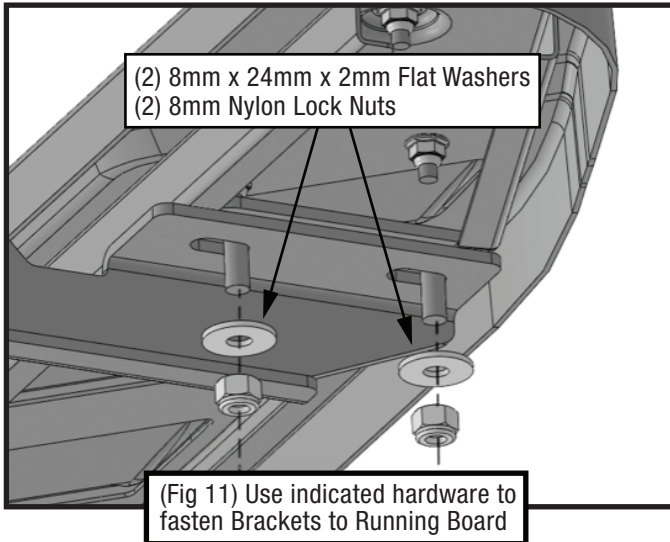


STEP 2 MOUNTING RUNNING BOARDS

STEP 2 MOUNTING RUNNING BOARDS

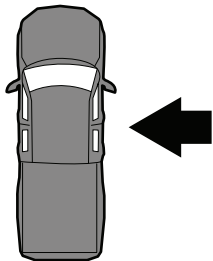
Follow (Fig 10 - 11) to install the running board.





STEP 3 PASSENGER SIDE

Repeat **STEPS 1-2** for passenger side installation. **Make sure that all hardware is secure and tight after preferred adjustments.**



STEP 4

Installation is complete. Do periodic inspections to the installation to make sure that all hardware is secure and tight.