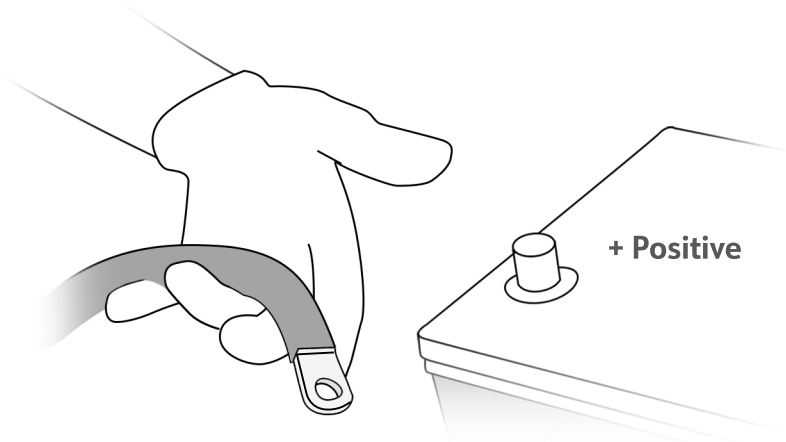


WIRING

(Wiring harness not included)

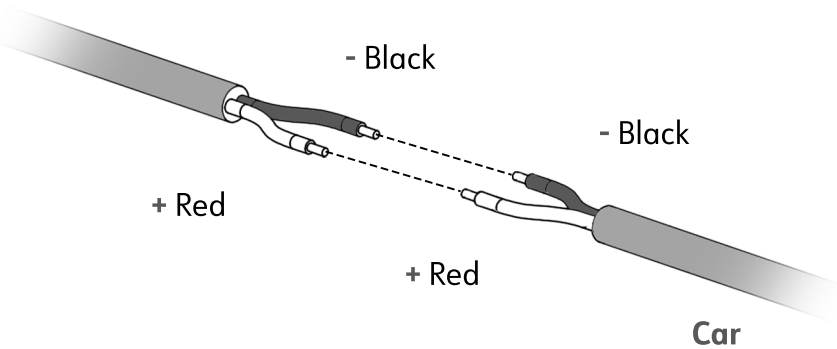
4

4.1 Disconnect positive battery cable from battery during the full installation process to prevent potential damage to the electrical system.



WARNING: This may result in loss of radio security code and clock settings. Please consult your owner's manual before you proceed.

4.2



V231024

CAMP LIGHT

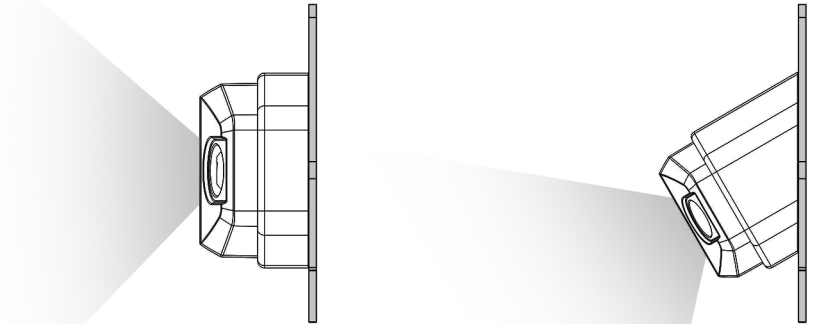
1

BEVELED/FLAT MOUNT INSTALLATION GUIDE

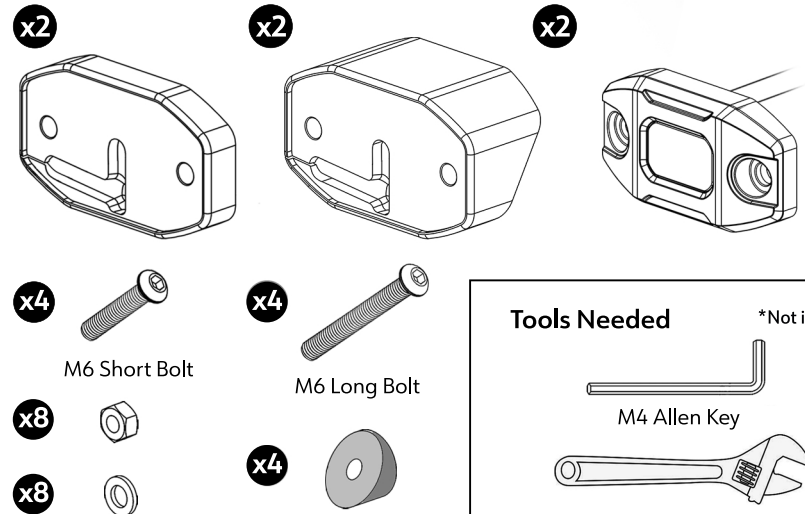
TG-LT2U3338

FLAT

BEVELED

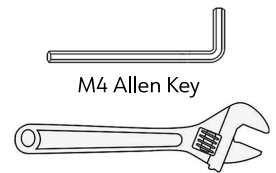


Parts List



Tools Needed

*Not included



Customer Support

1-866-340-3038

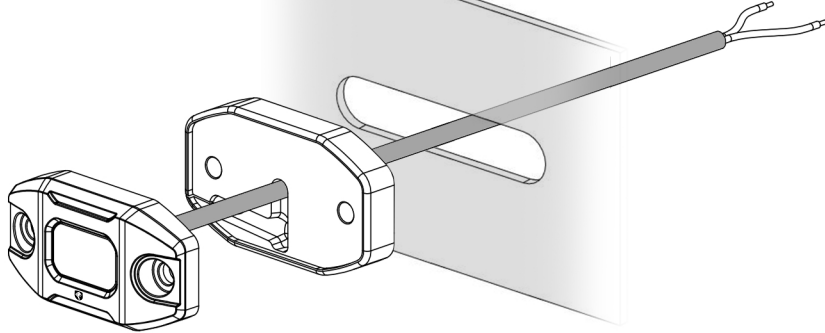
www.TygerAuto.com/Contact



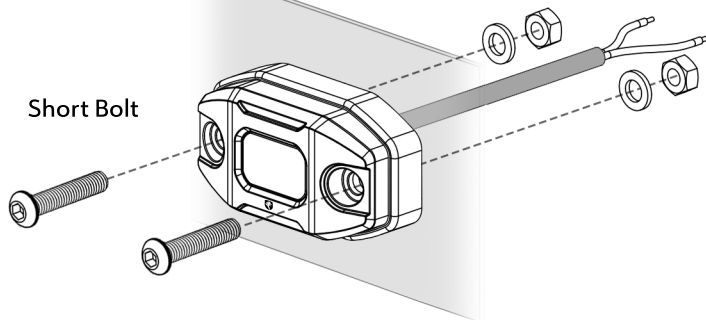
FLAT MOUNT

2

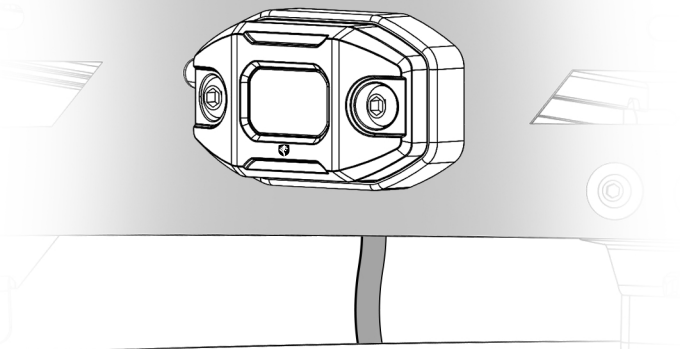
2.1



2.2



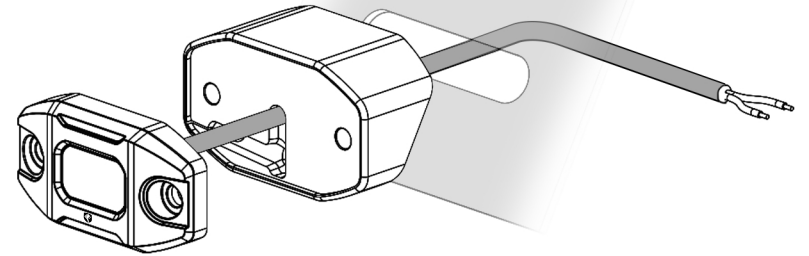
2.3



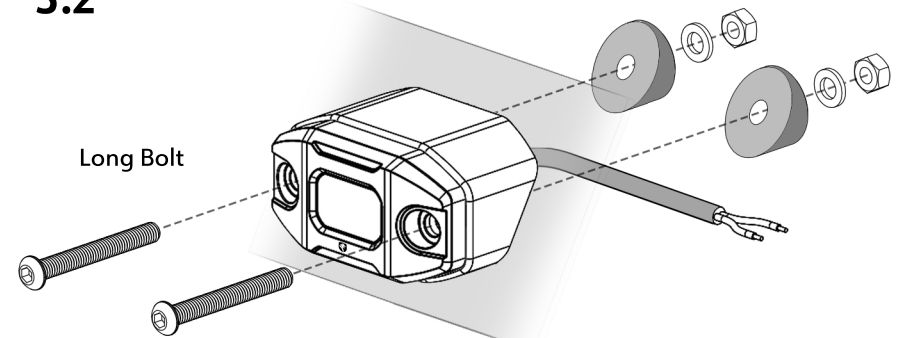
BEVELED MOUNT

3

3.1



3.2



3.3

