



TYGER LanderX

TG-LX3F82418

BEFORE INSTALLATION

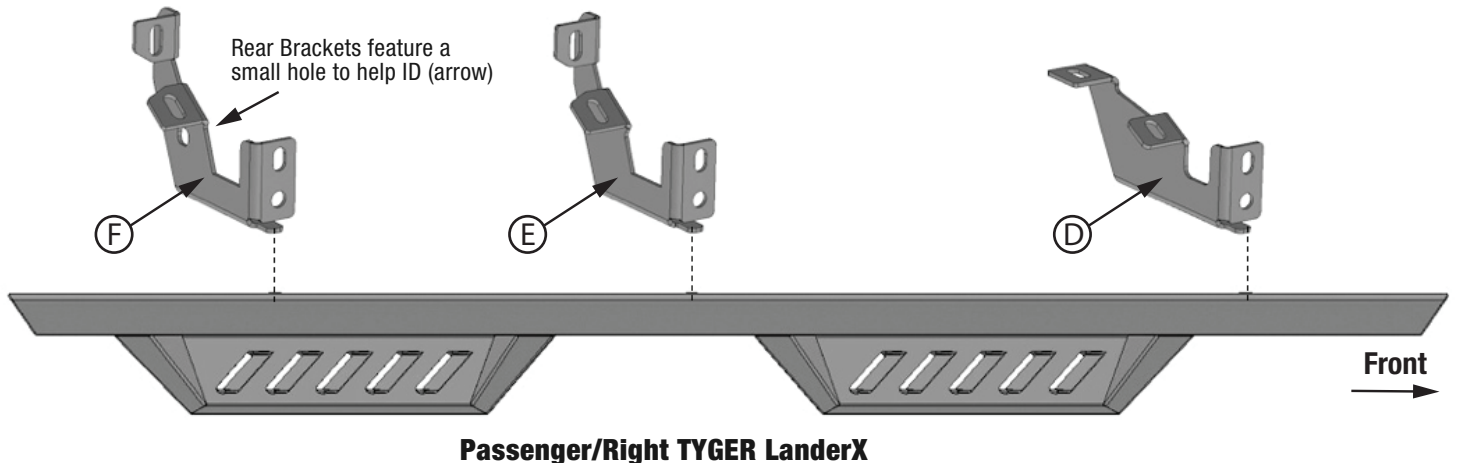
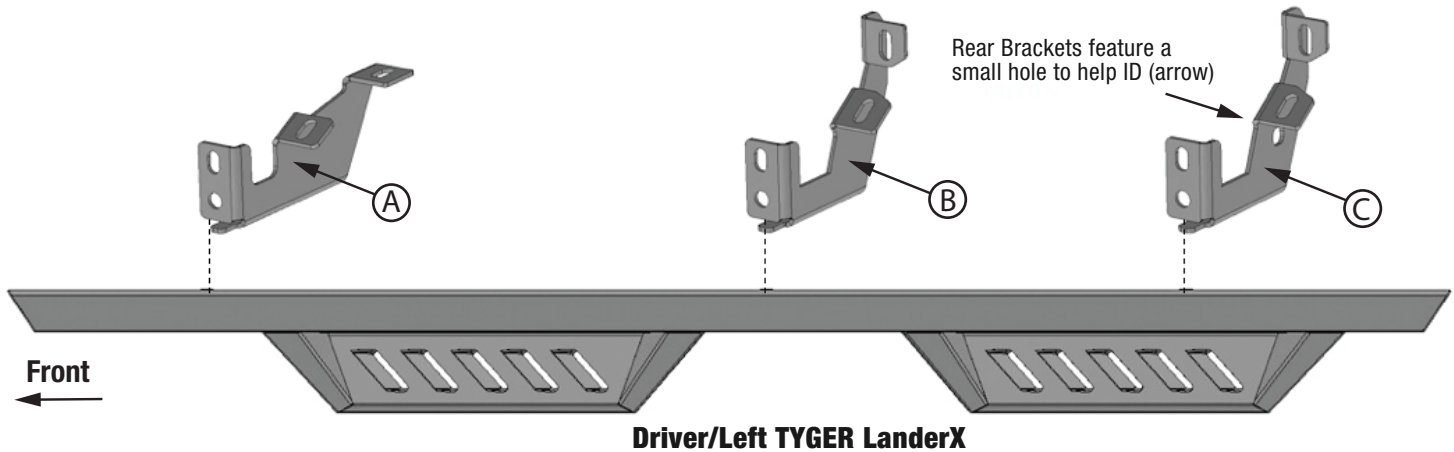
READ INSTRUCTIONS CAREFULLY BEFORE STARTING INSTALLATION. REMOVE CONTENTS FROM BOX AND VERIFY ALL PARTS ARE PRESENT. FAILURE TO IDENTIFY DAMAGE BEFORE INSTALLATION COULD LEAD TO A REJECTION OF ANY CLAIM. IF MISSING PARTS OR ANY DAMAGE FOUND, PLEASE TAKE A PICTURE FOR THE CLAIM PURPOSE. TO FILE YOUR CLAIM, PLEASE VISIT: WWW.TYGERAUTO.COM/CONTACT

TORQUE VALUES

| Fastener Size | Class 8.8 Torque (ft-lbs) | Class 10.9 Torque (ft-lbs) |
|---------------|---------------------------|----------------------------|
| 6mm | 6-7 | 6-7 |
| 8mm | 15-16 | 22-23 |
| 10mm | 31-32 | 44-45 |
| 12mm | 54-55 | 78-79 |
| 14mm | 87-88 | 125-126 |

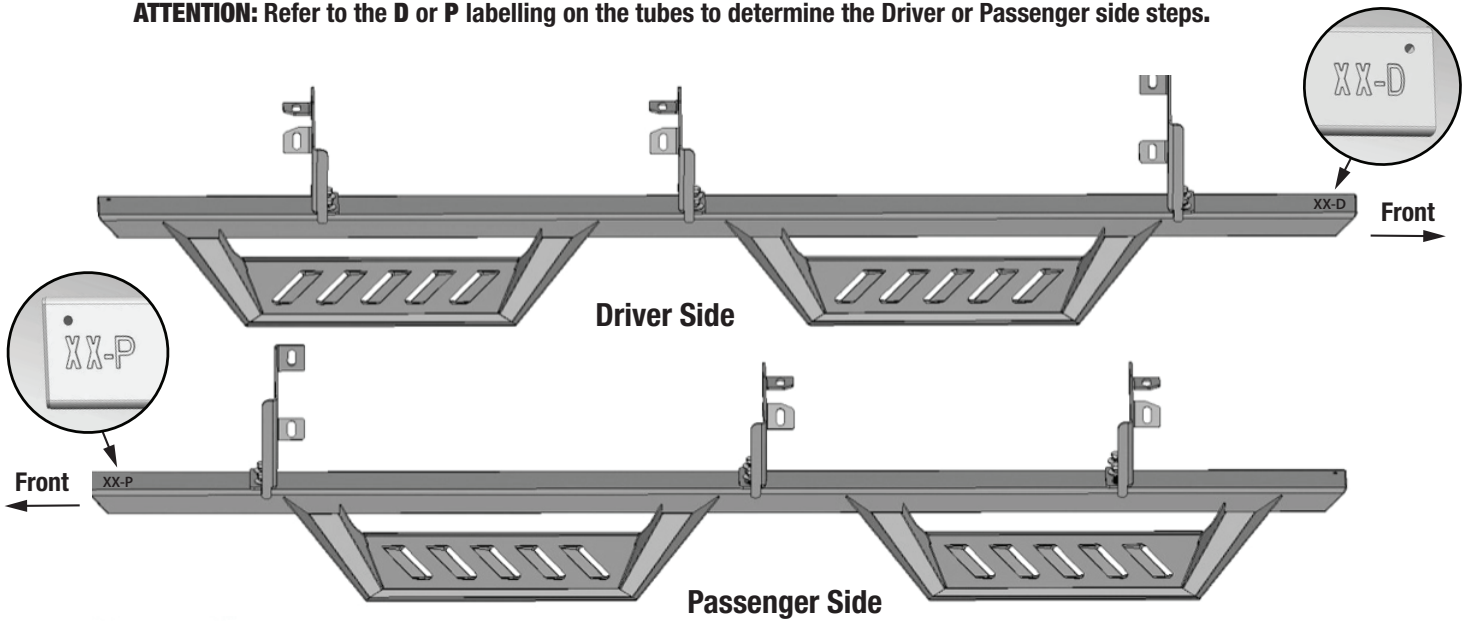
| | | | Parts List |
|--|--|---------------------------------------|------------|
| x1 Driver/Left TYGER LanderX | x1 Driver/ Left Rear Mounting Bracket (C) | x12 8mm x 25mm Combo Bolts | |
| x1 Passenger/Right TYGER LanderX | x1 Passenger/Right Front Mounting Bracket (D) | x12 10-1.5mm x 30mm Hex Bolts | |
| x1 Driver/Left Front Mounting Bracket (A) | x1 Passenger/Right Center Mounting Bracket (E) | x12 10mm Lock Washers | |
| x1 Driver/Left Center Mounting Bracket (B) | x1 Passenger/Right Rear Mounting Bracket (F) | x12 10mm x 27mm OD x 3mm Flat Washers | |

Reference the letters printed on the brackets to determine mounting locations



Bottom View

ATTENTION: Refer to the D or P labelling on the tubes to determine the Driver or Passenger side steps.



PROCEDURE:
 REMOVE CONTENTS FROM BOX. VERIFY ALL PARTS ARE PRESENT.
 READ INSTRUCTIONS CAREFULLY BEFORE STARTING INSTALLATION.

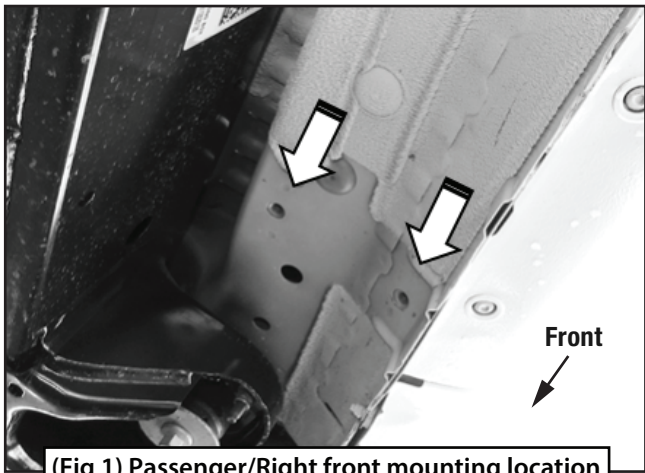
STEP 2

Select the Passenger/Right Front Mounting Bracket (D) (Fig 2). Attach Bracket to passenger/right front location with (2) 10mm x 30mm Hex Bolts, (2) 10mm Lock Washers and (2) 10mm Flat Washers (Figs 2 & 3). DO NOT fully tighten hardware.

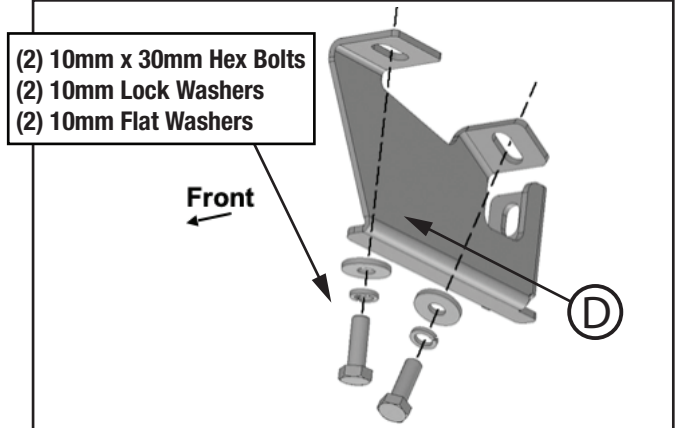
STEP 1

Starting installation under the passenger/right side inner rocker panel. Locate the threaded mounting holes in the rocker panel toward the front wheel opening (Fig 1). Remove the plastic plugs covering the mounting holes.

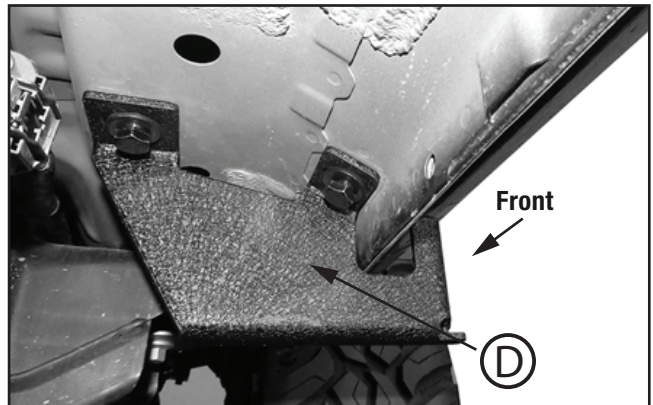
Passenger/Right side Installation Pictured



(Fig 1) Passenger/Right front mounting location



(Fig 2) Passenger/Right Front Mounting Bracket installation

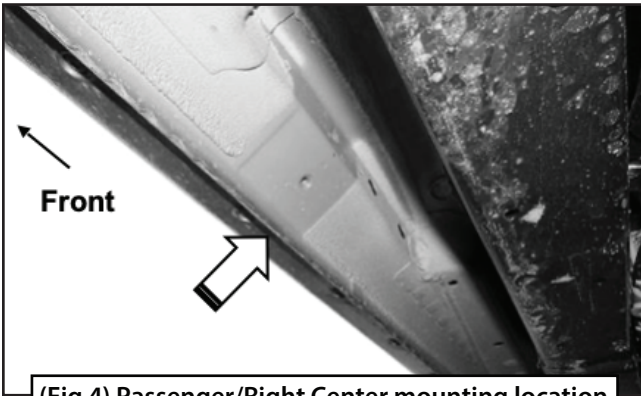


(Fig 3) Passenger/Right Front Mounting Bracket attached

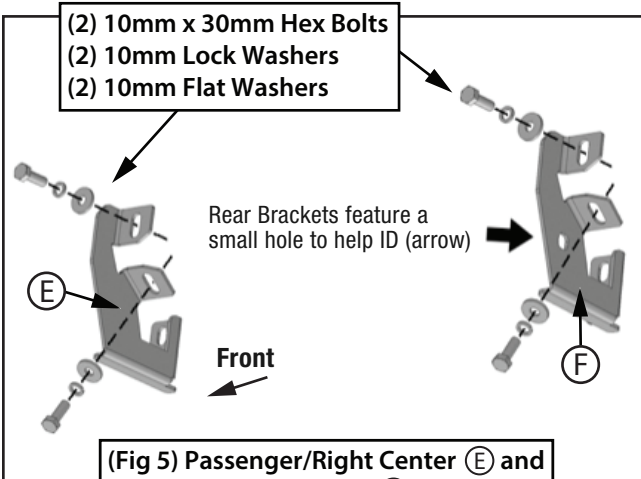
STEP 3

Move to the center of the vehicle and locate the threaded mounting holes (Fig 4). Select the Passenger/Right Center Mounting Bracket (E) (Fig 5). Attach the Bracket to the threaded holes with the included (2) 10mm x 30mm Hex Bolts, (2) 10mm Lock Washers and (2) 10mm Flat Washers (Fig 6). DO NOT fully tighten hardware.

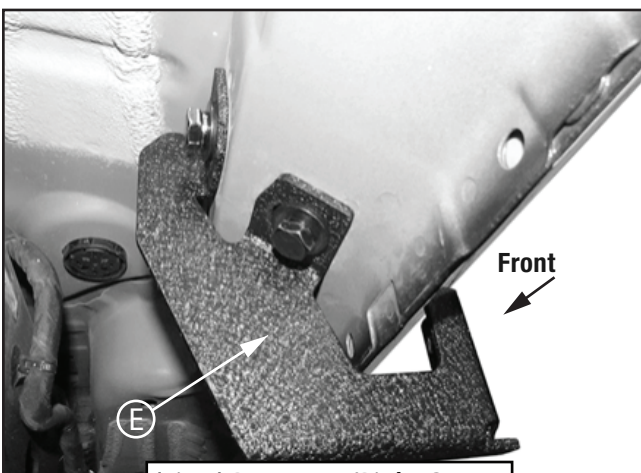
Passenger/Right side Installation Pictured



(Fig 4) Passenger/Right Center mounting location



(Fig 5) Passenger/Right Center (E) and Rear mounting Bracket (F) installation

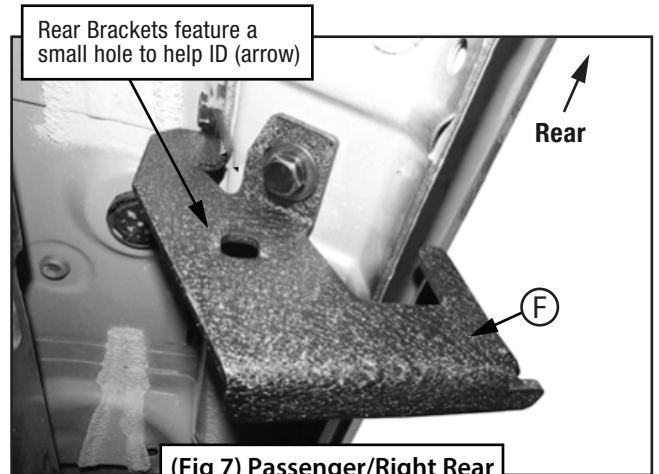


(Fig 6) Passenger/Right Center Mounting Bracket (E) installed

STEP 4

Move to the last threaded holes closest to the rear wheel opening. Select the Passenger/Right Rear Mounting Bracket (F) (Fig 5). Repeat **STEP 3** to attach the Rear Mounting Bracket (Fig 7). **IMPORTANT:** Rear Mounting Brackets feature a small hole for identification purposes.

Passenger/Right side Installation Pictured

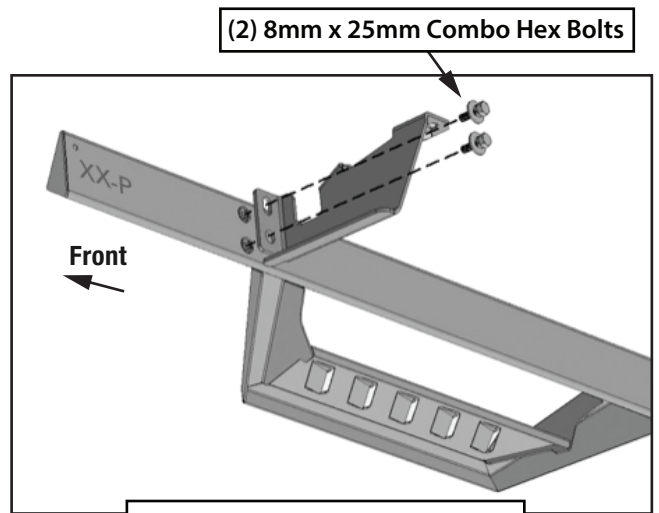


(Fig 7) Passenger/Right Rear Mounting Bracket installed

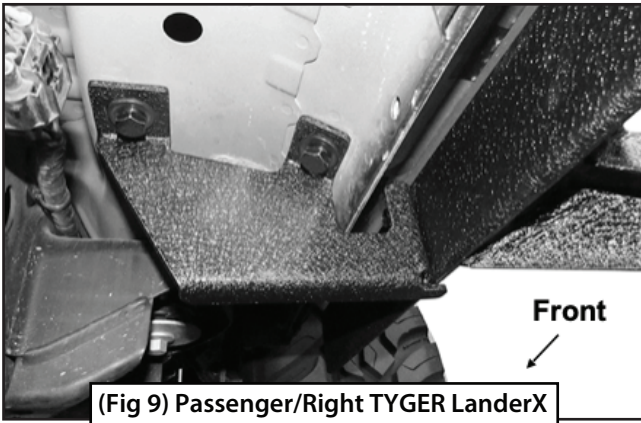
STEP 5

Carefully unwrap the TYGER LanderX. Select the Passenger/Right TYGER LanderX. Line up the TYGER LanderX with the (3) Mounting Brackets. Attach the TYGER LanderX to the Brackets with the included (6) 8mm x 25mm Combo Hex Bolts (Figs 8-12).

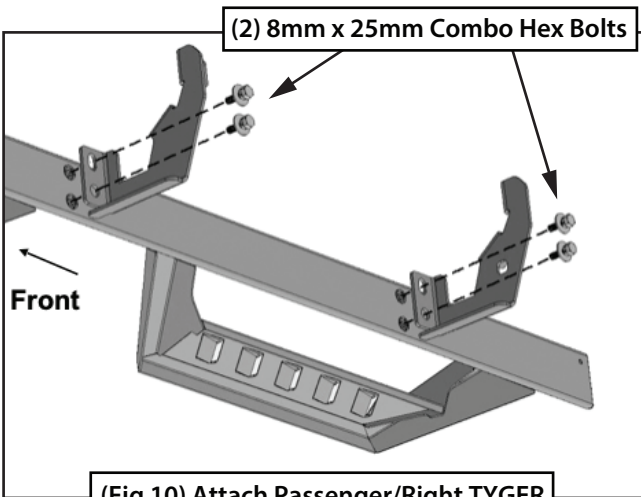
Passenger/Right side Installation Pictured



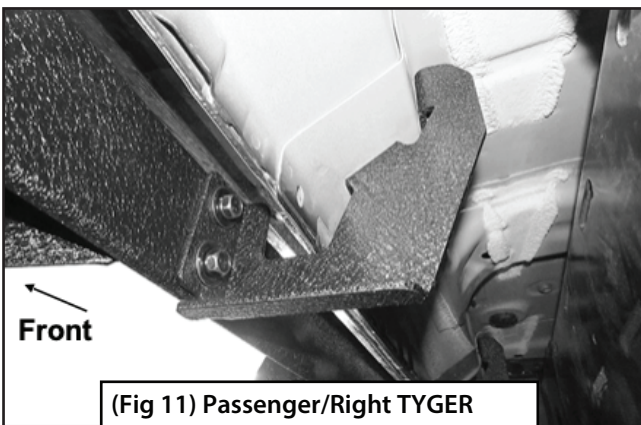
(Fig 8) Attach Passenger/Right TYGER LanderX to Front Bracket



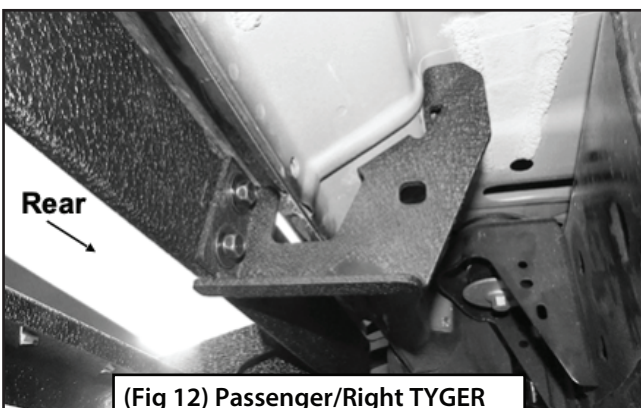
(Fig 9) Passenger/Right TYGER LanderX attached to Front Bracket



(Fig 10) Attach Passenger/Right TYGER LanderX to Center and Rear Brackets



(Fig 11) Passenger/Right TYGER LanderX attached to Center Bracket



(Fig 12) Passenger/Right TYGER LanderX attached to Rear Bracket

STEP 6

Level and adjust the TYGER LanderX and tighten all hardware.

STEP 7

Repeat **STEPS 1-6** for driver/left side TYGER LanderX installation.

STEP 8

Do periodic inspections to the installation to make sure that all hardware is secure and tight.