



TYGER LanderX

TG-LX3N82398

BEFORE INSTALLATION

READ INSTRUCTIONS CAREFULLY BEFORE STARTING INSTALLATION. REMOVE CONTENTS FROM BOX AND VERIFY ALL PARTS ARE PRESENT. FAILURE TO IDENTIFY DAMAGE BEFORE INSTALLATION COULD LEAD TO A REJECTION OF ANY CLAIM. IF MISSING PARTS OR ANY DAMAGE FOUND, PLEASE TAKE A PICTURE FOR THE CLAIM PURPOSE. TO FILE YOUR CLAIM, PLEASE VISIT: WWW.TYGERAUTO.COM/CONTACT

TORQUE VALUES

Fastener Size	Class 8.8 Torque (ft-lbs)	Class 10.9 Torque (ft-lbs)
6mm	6-7	6-7
8mm	15-16	22-23
10mm	31-32	44-45
12mm	54-55	78-79
14mm	87-88	125-126

x1 Driver/Left TYGER LanderX

x3 Driver/Left Mounting Brackets **(A)**

x12 8-1.25mm x 25mm Combo Bolts

x12 8mm Flange Nuts

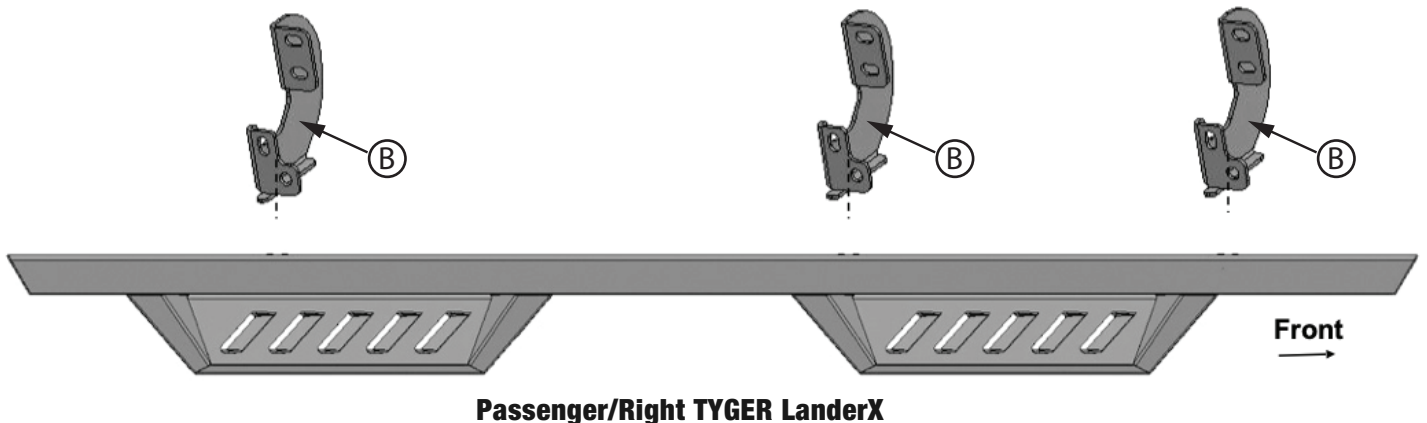
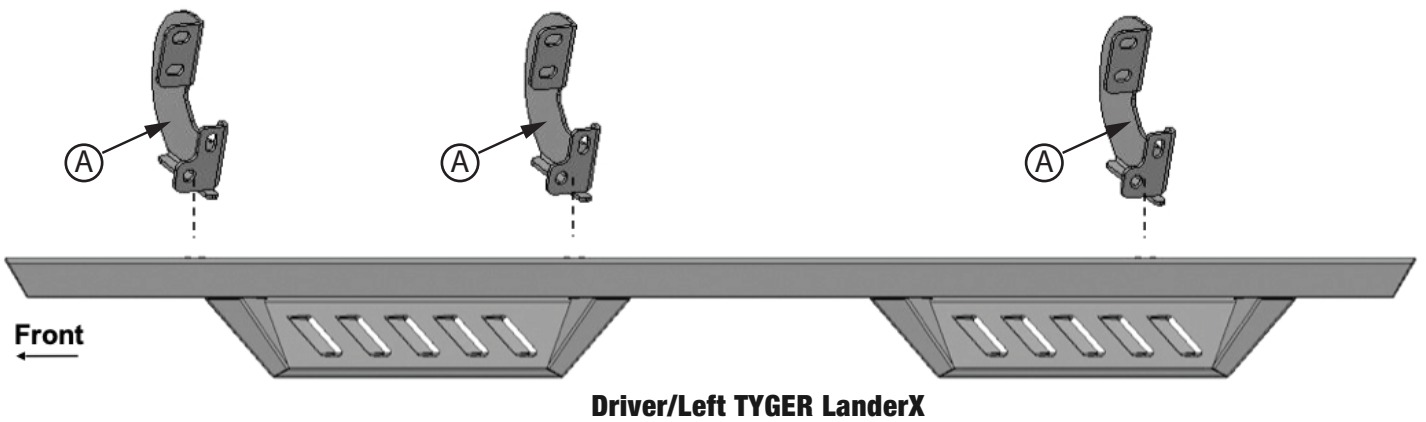
x1 Passenger/Right TYGER LanderX

x3 Passenger/Right Mounting Brackets **(B)**

x12 8mm x 24mm x 2mm Flat Washers

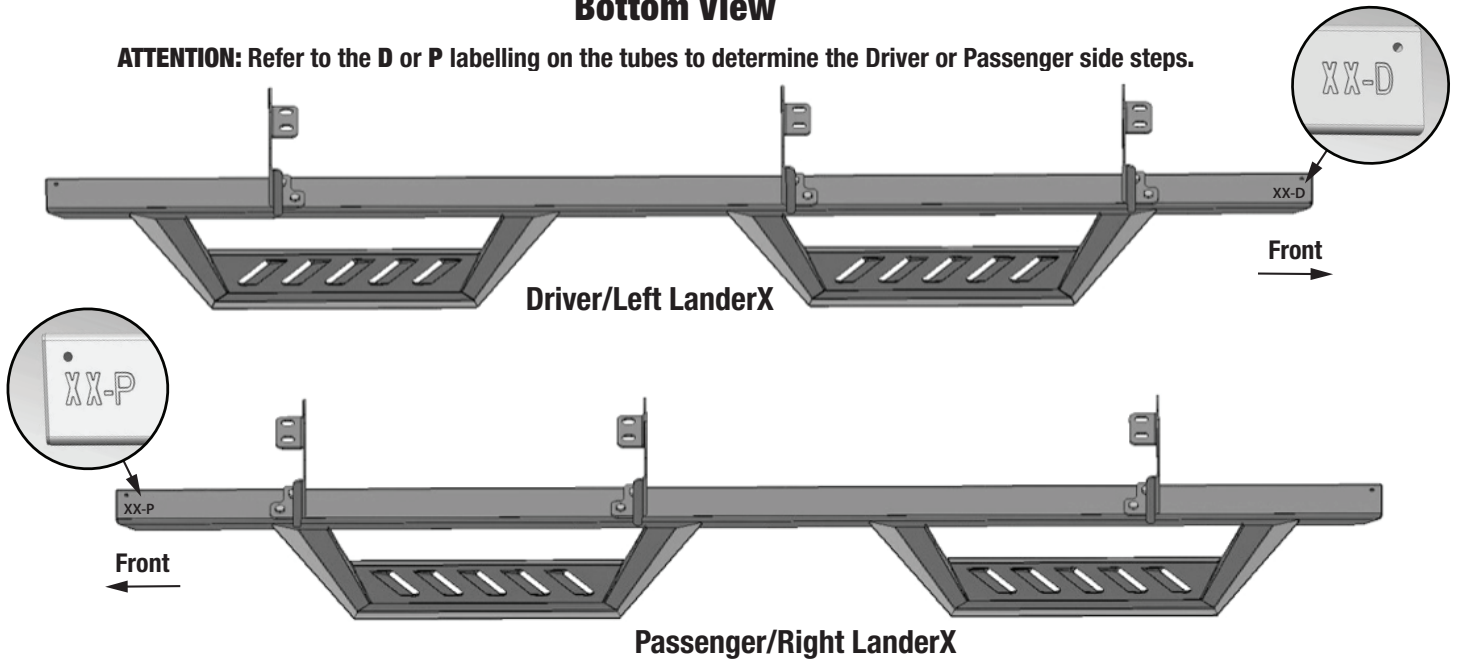
Parts List

Reference the letters printed on the brackets to determine mounting locations



Bottom View

ATTENTION: Refer to the **D** or **P** labelling on the tubes to determine the Driver or Passenger side steps.



PROCEDURE:

REMOVE CONTENTS FROM BOX. VERIFY ALL PARTS ARE PRESENT. READ INSTRUCTIONS CAREFULLY BEFORE STARTING INSTALLATION. ASSISTANCE IS RECOMMENDED.

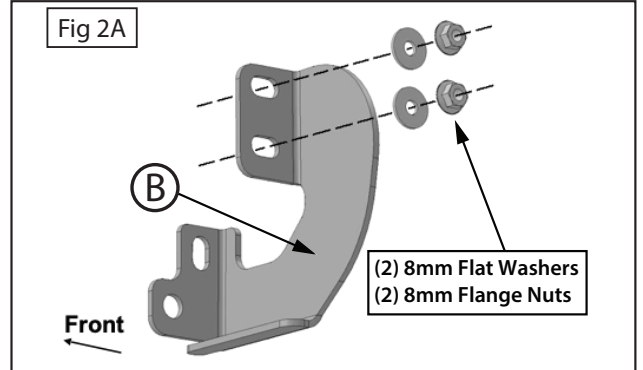
STEP 2

Select (1) Passenger/Right Side Mounting Bracket **(B)** (Fig 2). Attach the Bracket to the (2) mounting studs with the included (2) 8mm Flat Washers and (2) 8mm Flange Nuts (Fig 2s & 3). DO NOT fully tighten hardware.

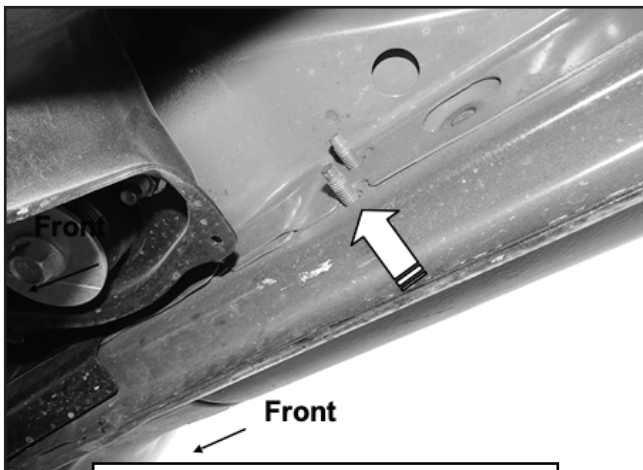
STEP 1

Start the installation under the passenger/right side of the vehicle. Locate the (2) factory running board mounting studs on the inner side of the body panel (Fig 1). **NOTE:** Brackets must install flat against inner sheet metal, remove sealant or undercoating as necessary. Use a wire brush to clean threads if necessary.

Passenger/Right side Installation Pictured



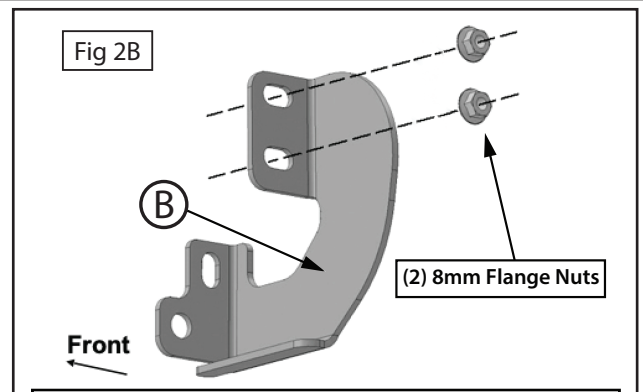
Passenger/Right side Installation Pictured



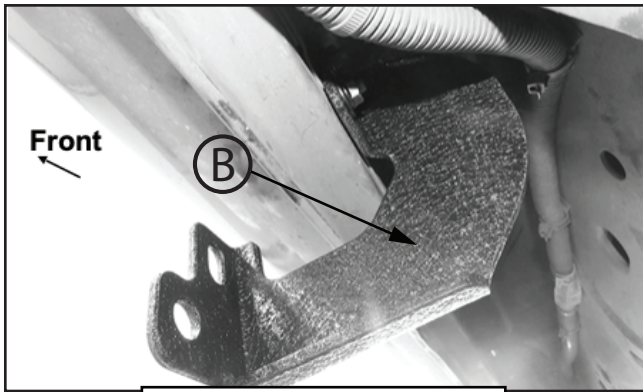
(Fig 1) Passenger/right front mounting location on side of body panel

ATTENTION:

Some Frontier models have front factory studs that are too short to fit both Flat Washers and Flange Nuts. In this case, **omit the Flat Washers and only install the Flange Nuts.** (Fig 2B)



(Fig 2B) (Only for models with shorter front studs)

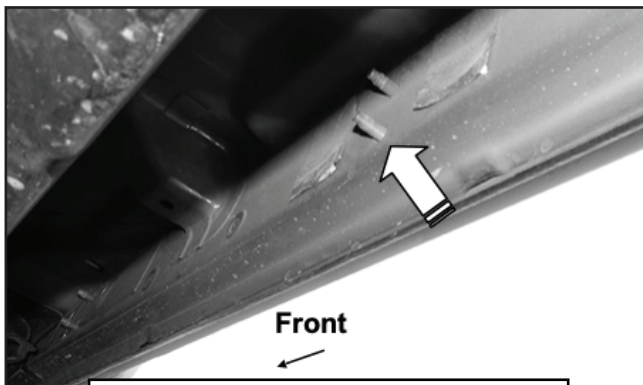


(Fig 3) Passenger/Right Front Mounting Bracket (B) installed

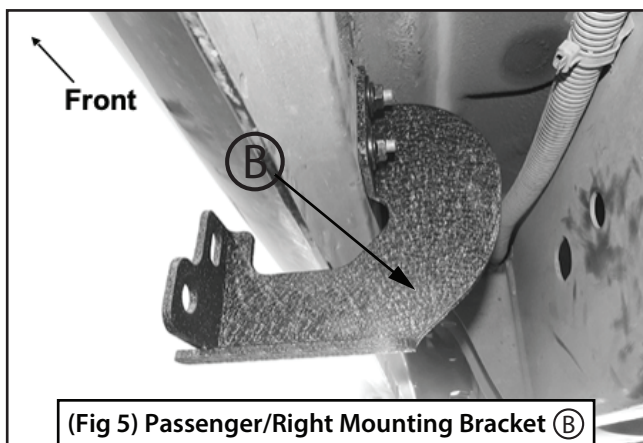
STEP 3

Move to the next mounting location along the body (Fig 4). Repeat **STEPS 1 & 2** to attach (1) Passenger/Right Side Mounting Bracket (B) to the center mounting location (Fig 5).

Passenger/Right side Installation Pictured



(Fig 4) Passenger/right center mounting location on side of body panel

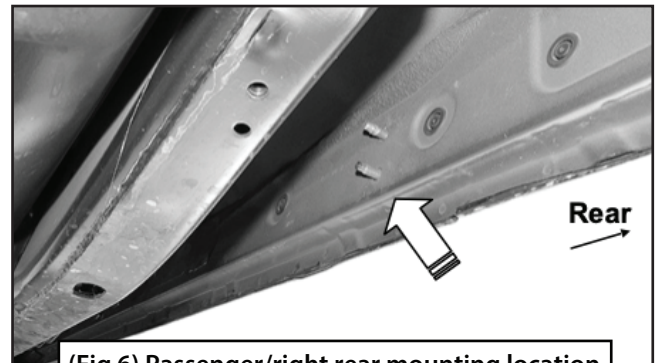


(Fig 5) Passenger/Right Mounting Bracket (B) installed to the center location

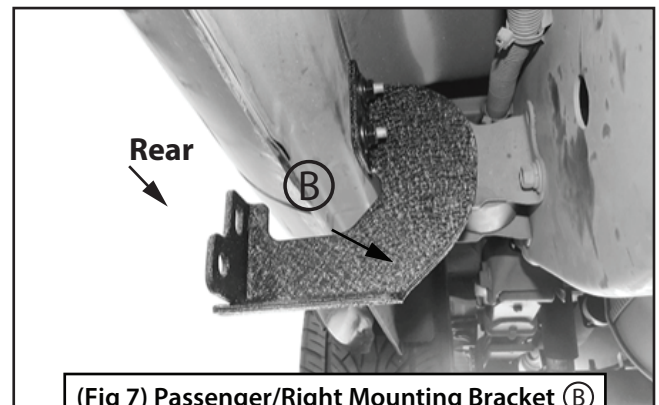
STEP 4

Next, locate the rear mounting location at the back of the cab (Fig 6). Repeat **STEPS 1-3** to install the remaining Passenger/Right Side Mounting Bracket (B) in the last mounting location (Fig 7).

Passenger/Right side Installation Pictured



(Fig 6) Passenger/right rear mounting location

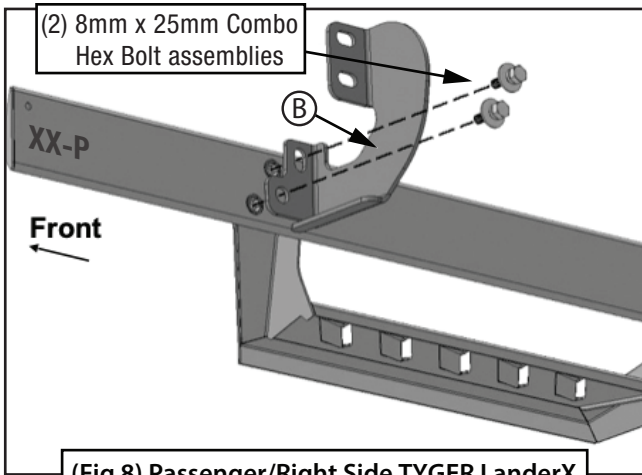


(Fig 7) Passenger/Right Mounting Bracket (B) installed to the rear location

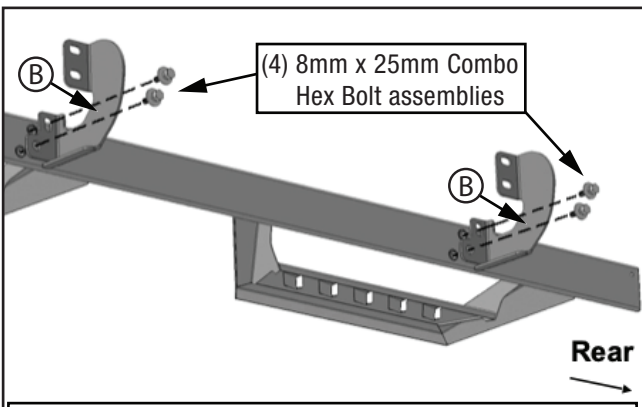
STEP 5

Carefully unwrap the TYGER LanderX. Select the Passenger/Right TYGER LanderX. Note "P" on back of tube. Carefully position the TYGER LanderX up to the (3) Brackets. **IMPORTANT:** DO NOT slide, (front to back or rotate), the TYGER LanderX against the Brackets or damage to the finish may result. Attach the TYGER LanderX to the Brackets with (6) 8mm x 25mm Combo Hex Bolt assemblies (Fig 8-11). DO NOT fully tighten hardware.

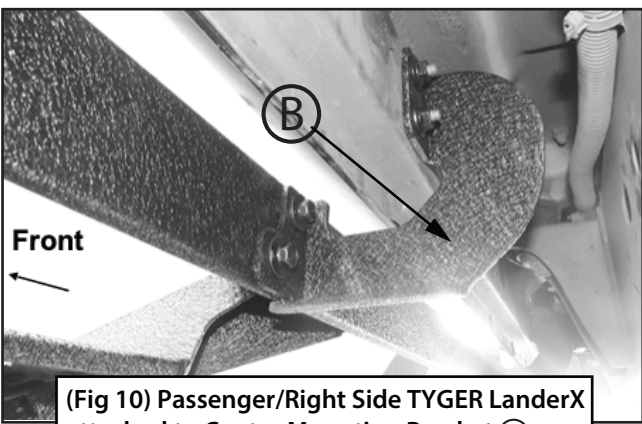
Passenger/Right side Installation Pictured



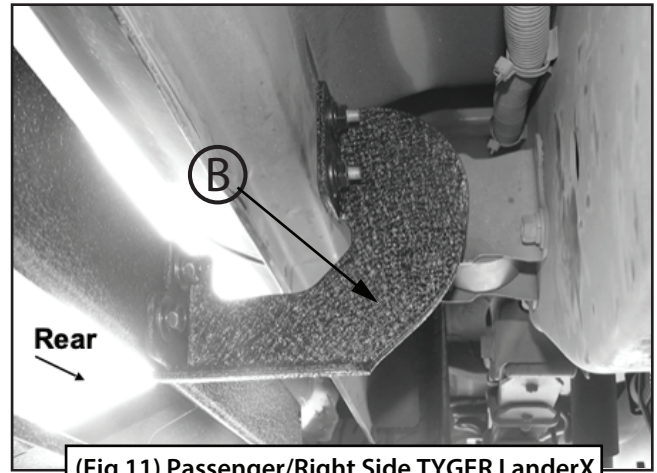
(Fig 8) Passenger/Right Side TYGER LanderX attached to Front Mounting Bracket (B)



(Fig 9) Passenger/Right Side TYGER LanderX attached to center and rear Mounting Brackets (B)



(Fig 10) Passenger/Right Side TYGER LanderX attached to Center Mounting Bracket (B)



(Fig 11) Passenger/Right Side TYGER LanderX attached to Rear Mounting Bracket (B)

STEP 6

Level and adjust the TYGER LanderX and tighten all hardware.

STEP 7

Repeat **STEPS 1-6** for Driver/Left TYGER LanderX installation.

STEP 8

Do periodic inspections to the installation to make sure that all hardware is secure and tight.