



TYGER LanderX

TG-LX3T84208

BEFORE INSTALLATION

READ INSTRUCTIONS CAREFULLY BEFORE STARTING INSTALLATION. REMOVE CONTENTS FROM BOX AND VERIFY ALL PARTS ARE PRESENT. FAILURE TO IDENTIFY DAMAGE BEFORE INSTALLATION COULD LEAD TO A REJECTION OF ANY CLAIM. IF MISSING PARTS OR ANY DAMAGE FOUND, PLEASE TAKE A PICTURE FOR THE CLAIM PURPOSE. TO FILE YOUR CLAIM, PLEASE VISIT:

WWW.TYGERAUTO.COM/CONTACT

TORQUE VALUES

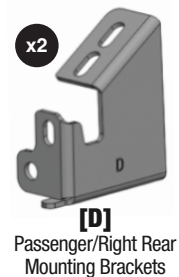
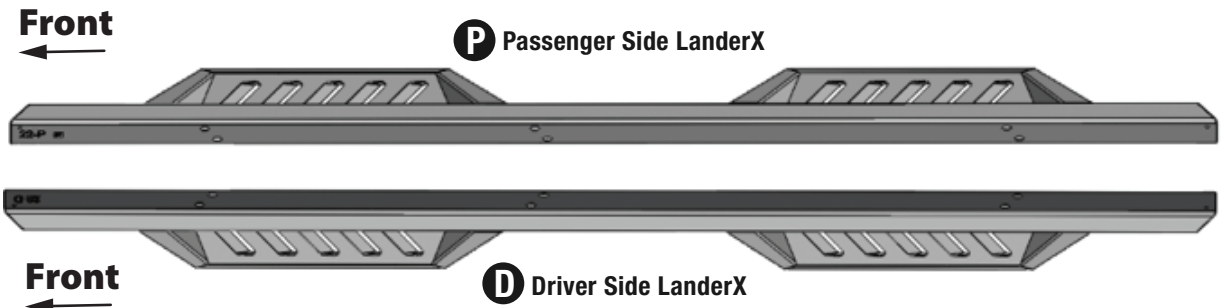
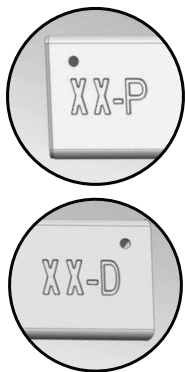
Fastener Size	Class 8.8 Torque (ft-lbs)	Class 10.9 Torque (ft-lbs)
6mm	6-7	6-7
8mm	15-16	22-23
10mm	31-32	44-45
12mm	54-55	78-79
14mm	87-88	125-126

- x1** Driver/Left TYGER LanderX **[D]**
- x1** Passenger/Right Front Mounting Bracket **[C]**
- x12** 8mm x 1.25mm x 25mm Combo Bolts
- x12** 8mm x 24 x 2mm Flat Washers
- x1** Passenger/Right TYGER LanderX **[P]**
- x2** Driver/Left Center/Rear Mounting Brackets **[B]**
- x12** 8mm Lock Washers
- x1** Driver/Left Front Mounting Bracket **[A]**
- x2** Passenger/Right Center/Rear Mounting Brackets **[D]**
- x12** 8mm x 1.25mm x 30mm Hex Bolts

[Parts List](#)

Top View

ATTENTION: Refer to **[D]** and **[P]** labelling on the side of the tubes to determine Driver and Passenger LanderX

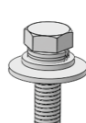


x12



Hex Bolts

x12



Combo Bolts

x12



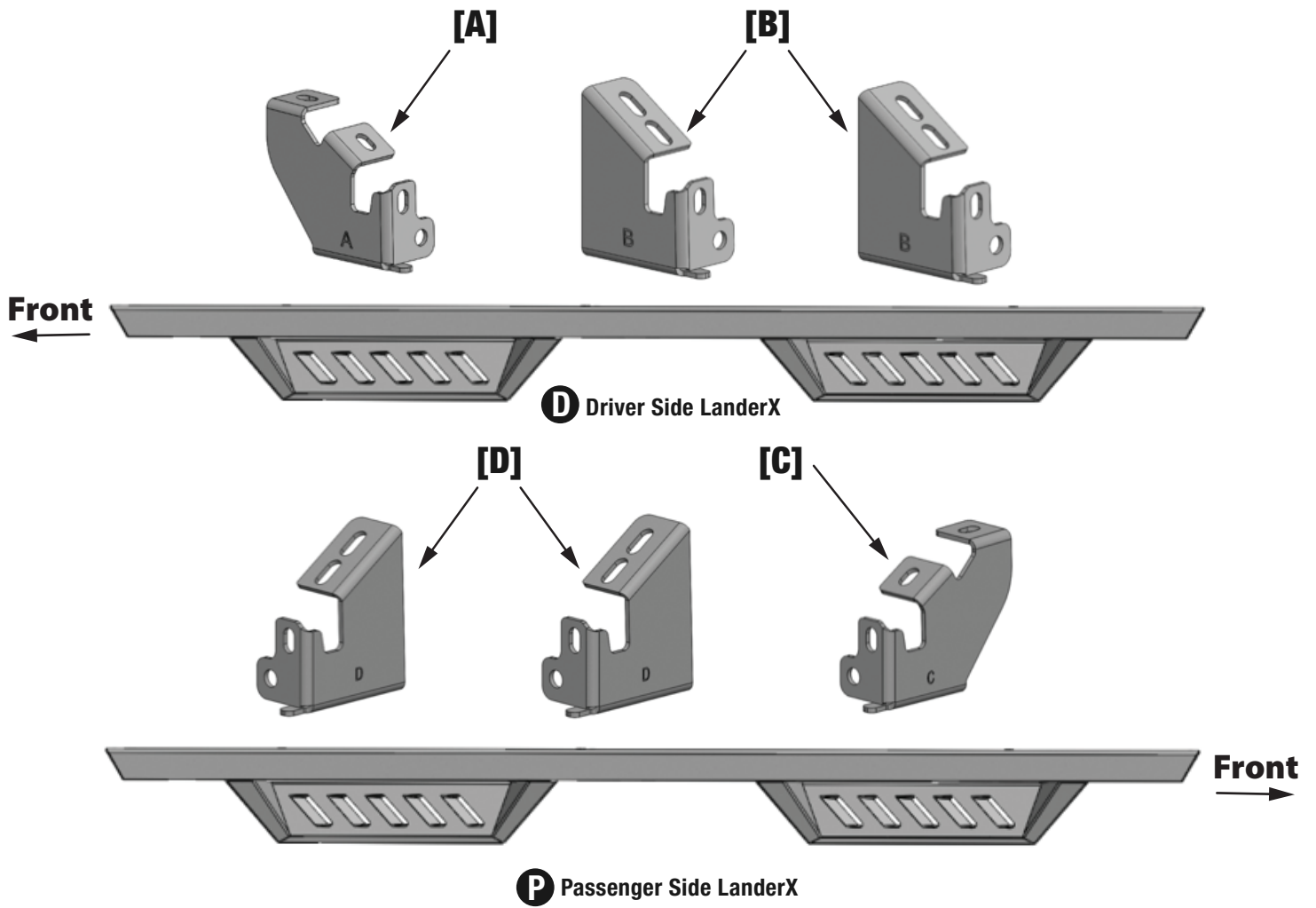
Lock Washers

x12

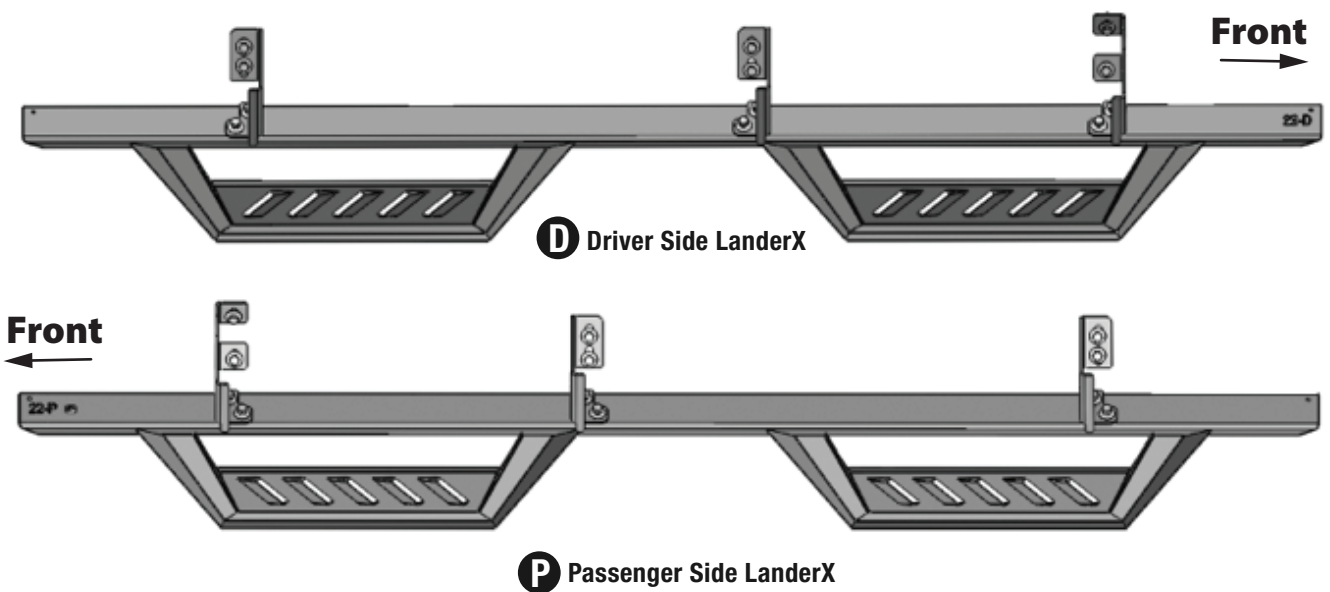


Flat Washers

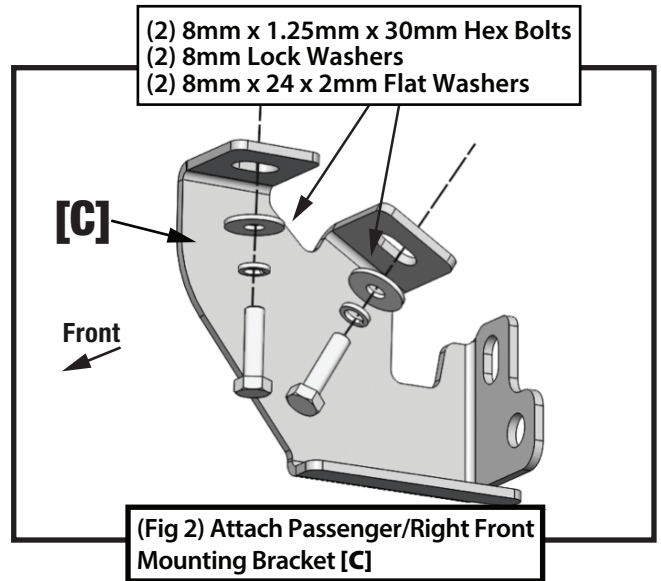
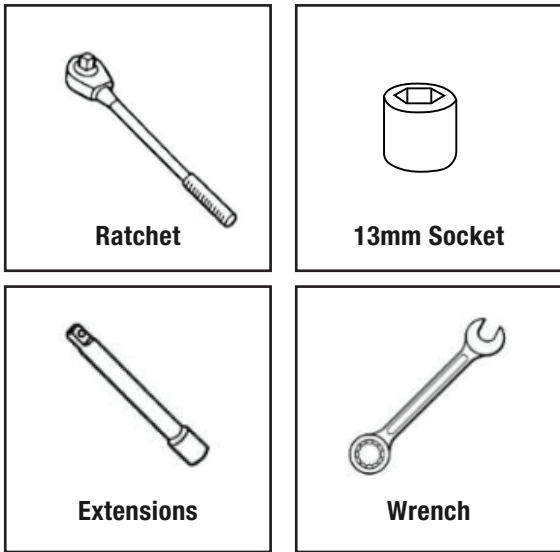
Reference the letters printed on the brackets to determine mounting locations



Bottom View

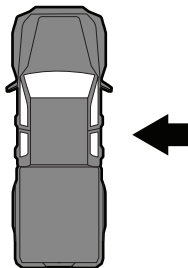


TOOLS REQUIRED

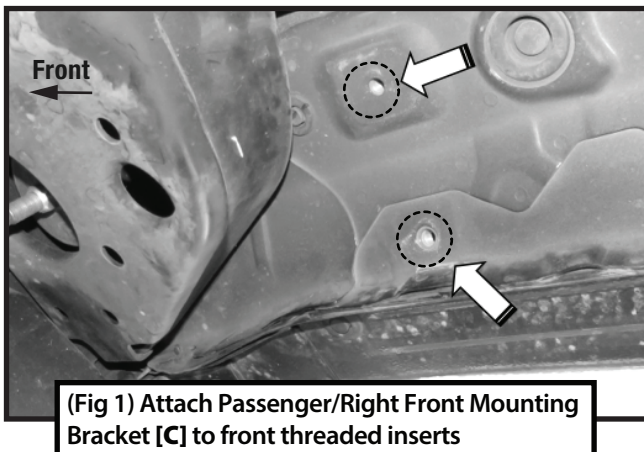


STEP 1 MOUNTING BRACKETS

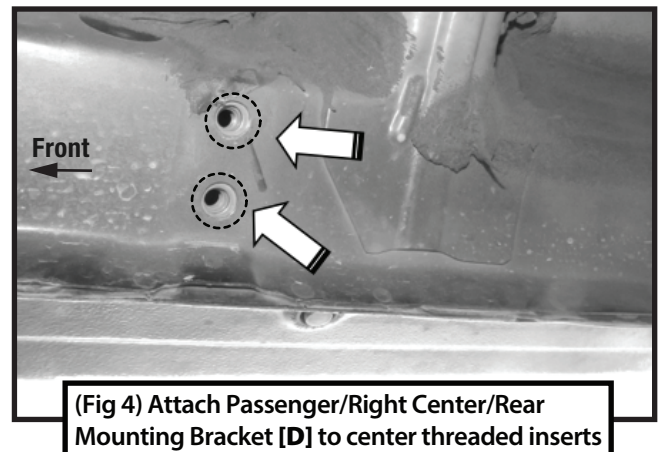
Follow (Fig 1 – 9) to attach the Mounting Brackets to the Passenger Side.

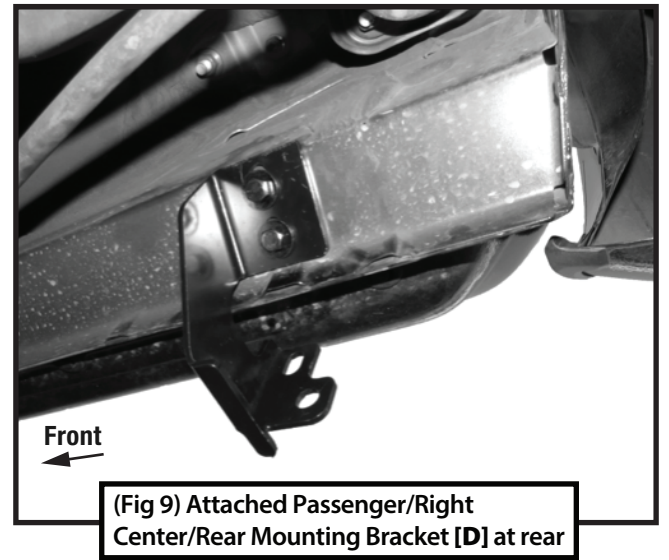
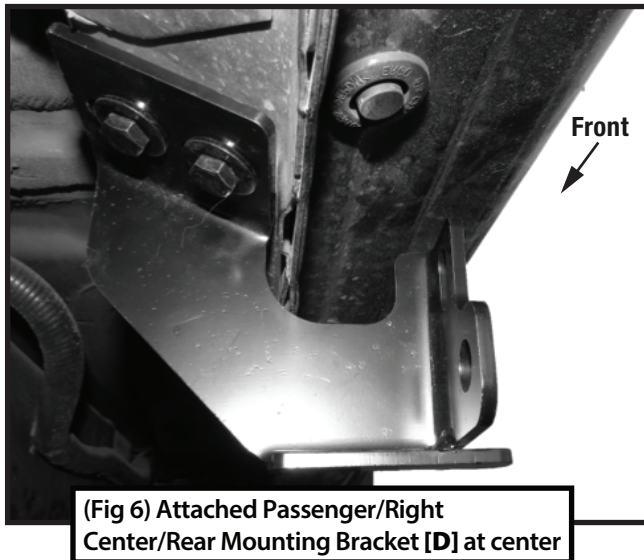
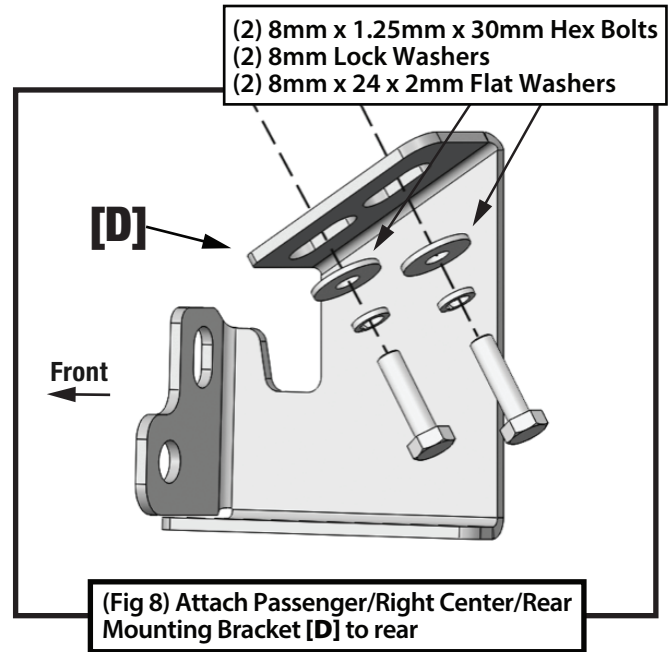
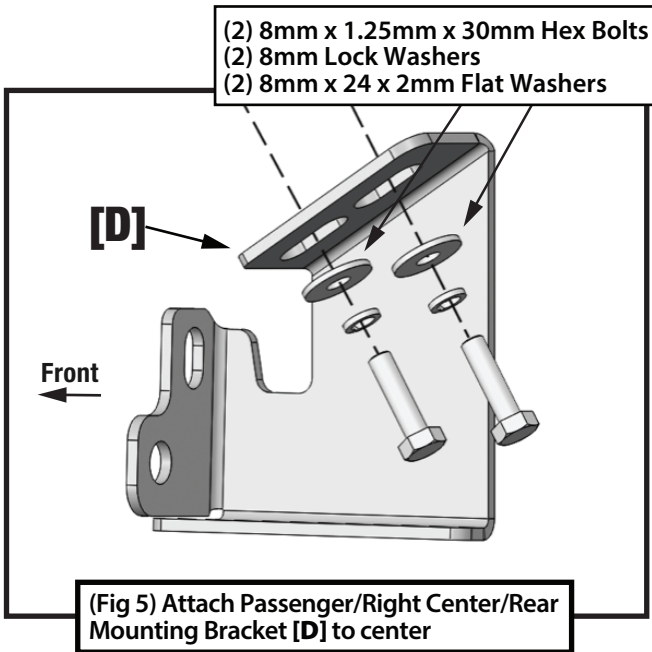


Passenger-side Front Mounting Area

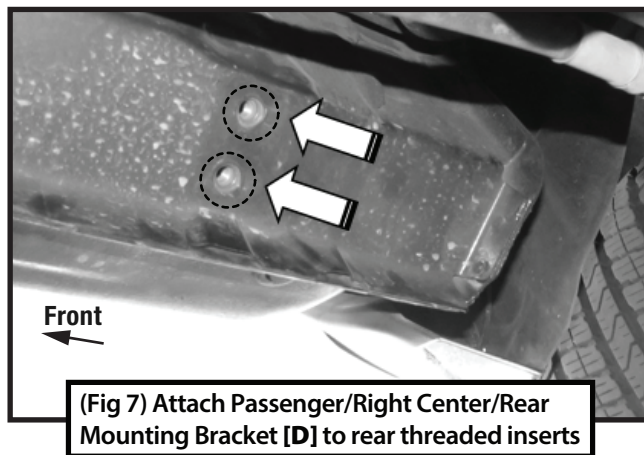


Passenger-side Center Mounting Area



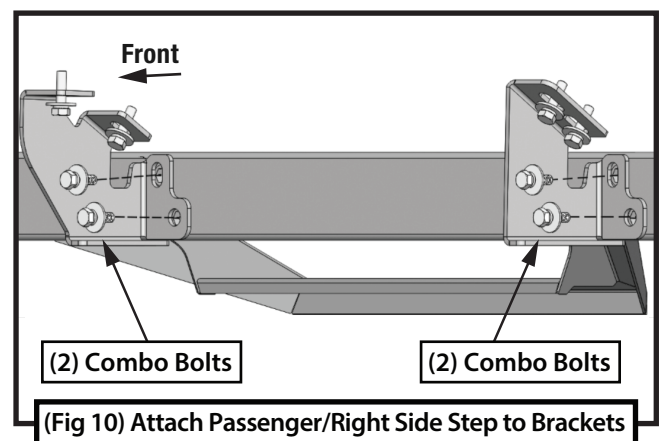


Passenger-side Rear Mounting Area



STEP 2 MOUNTING RUNNING BOARD

Follow (Fig 10) to install the running board.

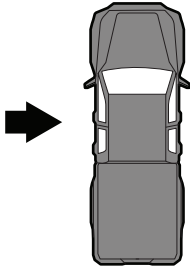


STEP 3 DRIVER SIDE

Repeat **STEPS 1-2** for driver side installation.

Front: Use Mounting Bracket **[A]** instead of **[C]**;

Center/Rear: Use Mounting Brackets **[B]** instead of **[D]**.



STEP 4

Installation is complete. Do periodic inspections to the installation to make sure that all hardware is secure and tight.

