



TYGER TRAX

TG-NB7C20128

BEFORE INSTALLATION

READ INSTRUCTIONS CAREFULLY BEFORE STARTING INSTALLATION. REMOVE CONTENTS FROM BOX AND VERIFY ALL PARTS ARE PRESENT. FAILURE TO IDENTIFY DAMAGE BEFORE INSTALLATION COULD LEAD TO A REJECTION OF ANY CLAIM. IF MISSING PARTS OR ANY DAMAGE FOUND, PLEASE TAKE A PICTURE FOR THE CLAIM PURPOSE. TO FILE YOUR CLAIM, PLEASE VISIT: WWW.TYGERAUTO.COM/CONTACT

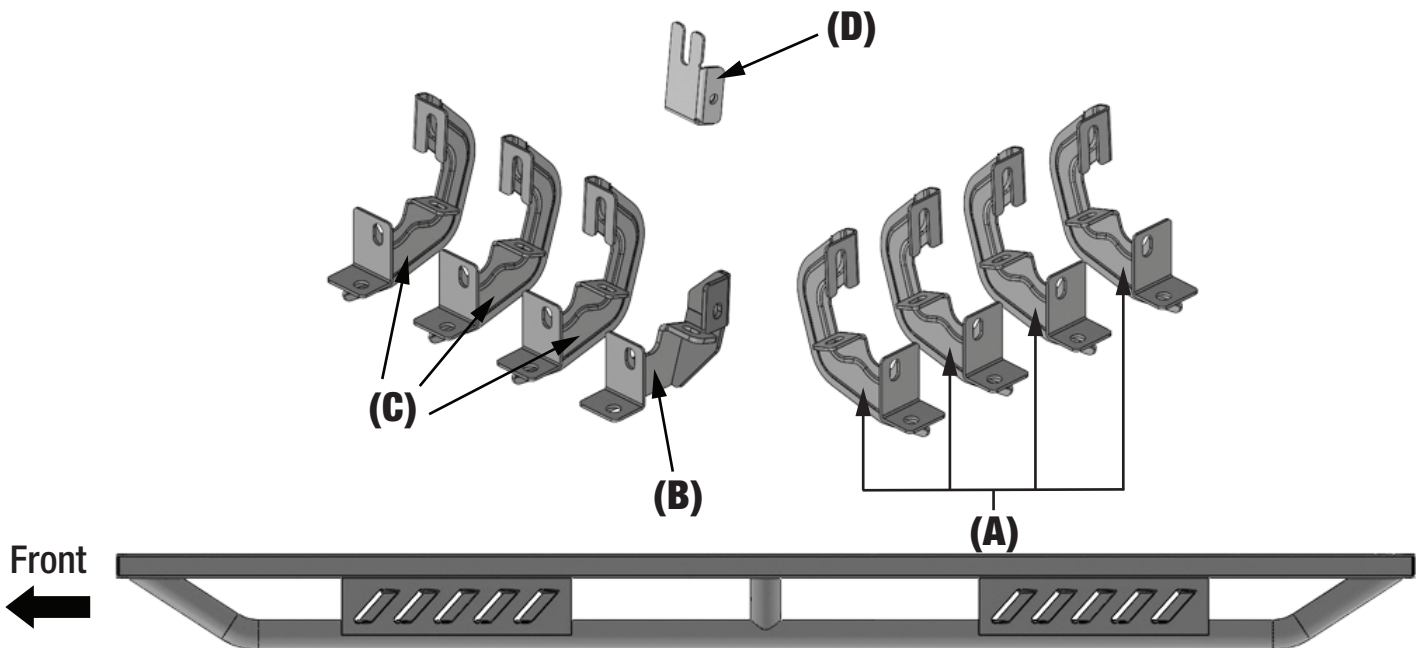
TORQUE VALUES

Fastener Size	Class 8.8 Torque (ft-lbs)	Class 10.9 Torque (ft-lbs)
6mm	6-7	6-7
8mm	15-16	22-23
10mm	31-32	44-45
12mm	54-55	78-79
14mm	87-88	125-126

- x1 Driver/Left Tyger Trax
- x1 Passenger/Right Tyger Trax
- x4 Driver/Left Mounting Brackets (A)
- x3 Passenger/Right Mounting Brackets (C)
- x1 Passenger/Right Upper Mounting Bracket (D)
- x1 Passenger/Right Lower Mounting Bracket (B)
- x1 8mm Bolt Plate
- x1 8mm x 40mm Hex Bolt
- x16 8mm x 25mm Combo Bolts
- x16 8mm x 25mm Hex Bolts
- x17 8mm Lock Washers
- x1 8mm x 28mm OD x 3mm Flat Washer
- x17 8mm x 24mm OD x 2mm Flat Washers
- x15 8mm Clip Nuts
- x1 8mm Nylon Lock Nut

Parts List

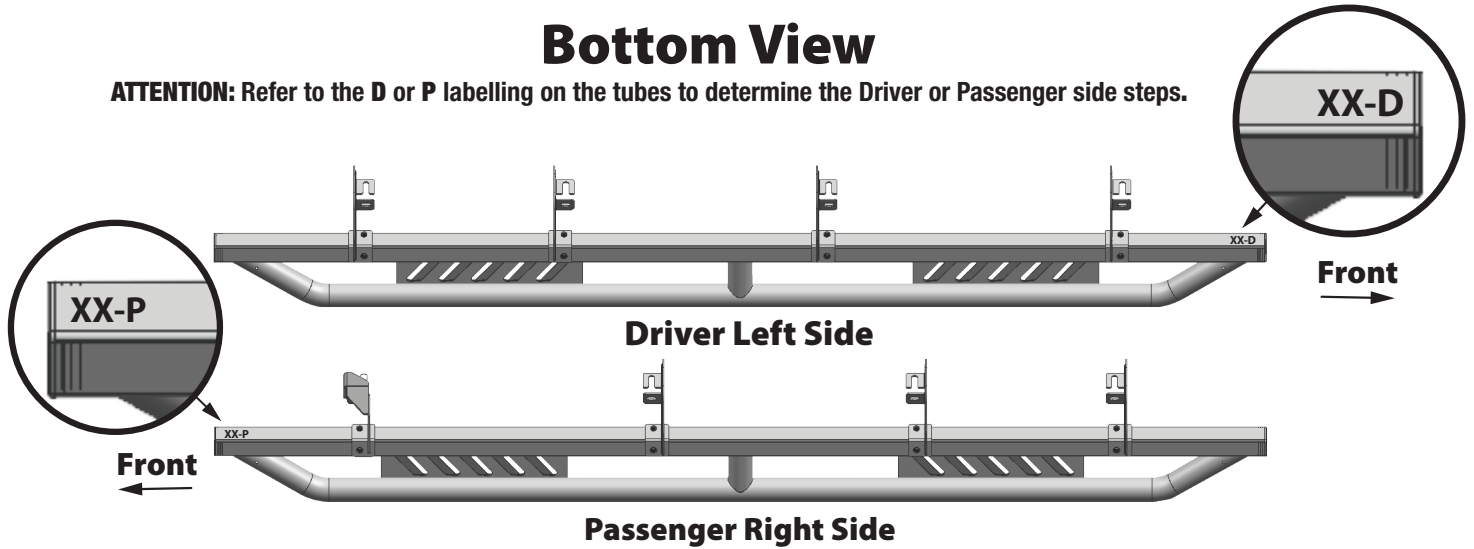
Reference the letters printed on the brackets to determine mounting locations



Driver/Left TYGER TRAX

Bottom View

ATTENTION: Refer to the **D** or **P** labelling on the tubes to determine the Driver or Passenger side steps.



PROCEDURE:

REMOVE CONTENTS FROM BOX. VERIFY ALL PARTS ARE PRESENT. READ INSTRUCTIONS CAREFULLY BEFORE STARTING INSTALLATION. ON MODELS WITH DEF TANK, SELECT A FLAT, LEVEL AREA FOR INSTALLATION. MAY REQUIRE CUTTING.

STEP 2

Determine the correct procedure for your model year and each Bracket location.

Bottom mounting location on the edge of the pinch weld.

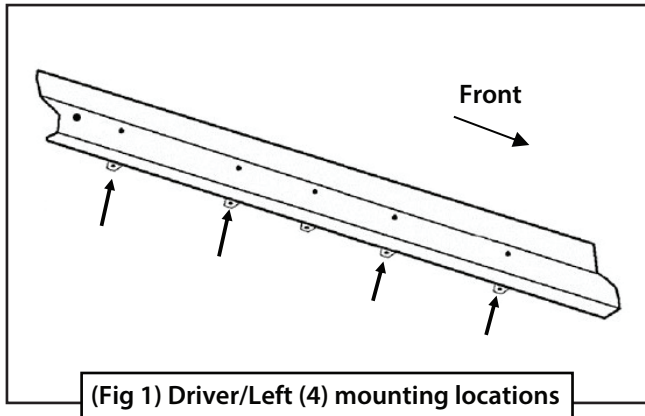
- **Flat tab on pinch weld with factory installed weld nut:**
Thread hex bolt into weld nut from the backside-down to clear paint from threads.

- **Flat tab on pinch weld with hole:**
Select (1) 8mm Clip Nut. Slide the Clip Nut over the tab with the nut facing up behind the tab (Figs 2 & 3). Line up threaded nut with hole in the tab. Repeat for each mounting location.

STEP 1

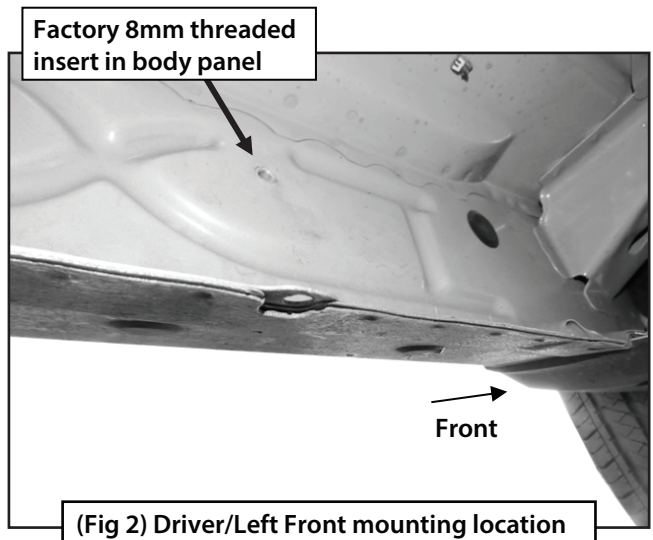
Start the installation under the **Driver/Left** side of the vehicle. Locate the 5 tabs along the bottom edge of the body, (pinch weld). Mounting Brackets will bolt to the **1st, 2nd, 4th and 5th** mounting tabs (Fig 1). Directly above each tab is a top mounting location on the side of the rocker panel. Hold a Bracket up in place to help determine the mounting holes to use.

Driver/Left side Installation Pictured

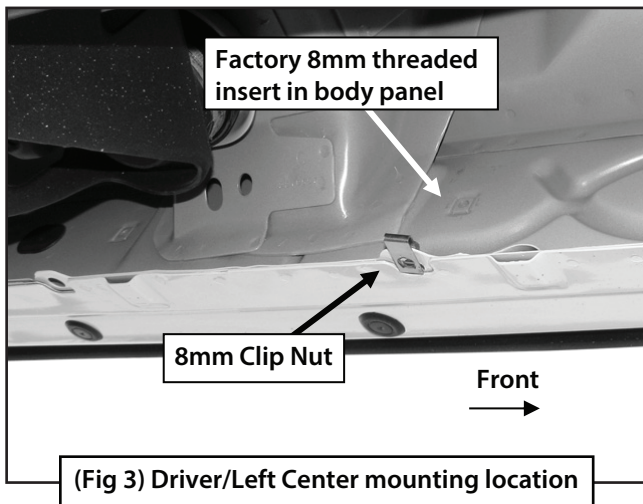


(Fig 1) Driver/Left (4) mounting locations

Driver/Left side Installation Pictured



(Fig 2) Driver/Left Front mounting location



Locate top mounting location on the back side of the rocker panel.

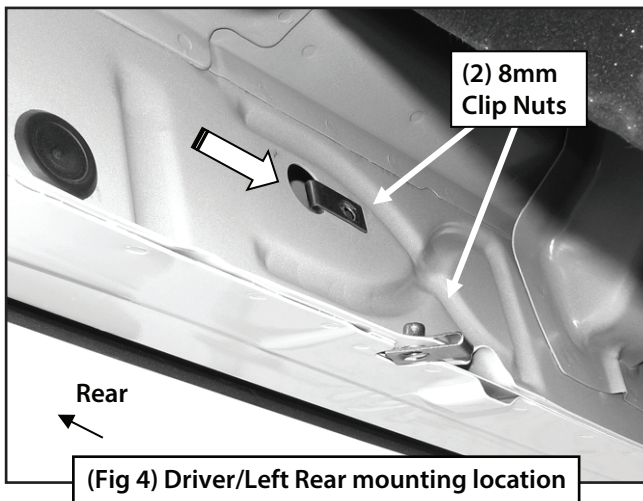
• **Models with factory installed threaded insert in rocker panel:**

Thread 8mm Hex Bolt into threaded insert to clear paint as required (Figs 2 & 3).

• **Large and small hole in side of body panel:**

Remove the rubber plug from the larger hole (Fig 4). Select (1) 8mm Clip Nut. Slide the Clip Nut into the larger hole. Line up the threaded nut with the smaller hole.

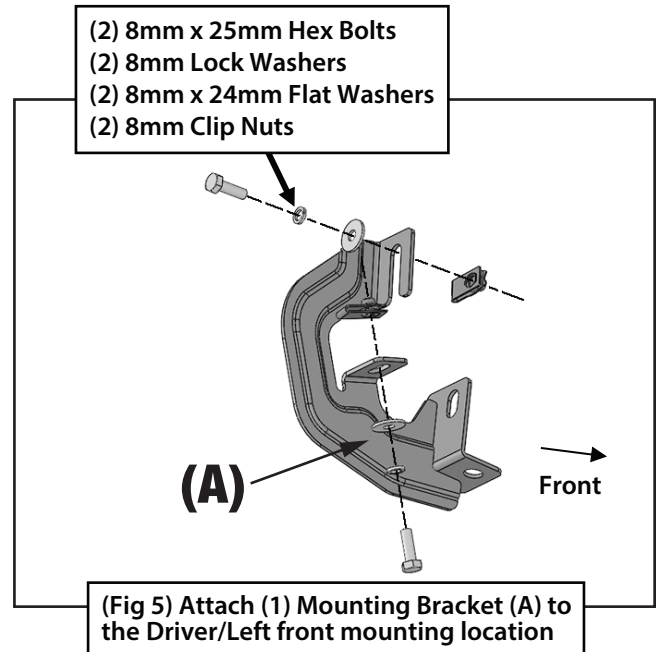
Driver/Left side Installation Pictured



STEP 3

Select (1) **Driver/Left** Mounting Bracket (A). Attach the Mounting Bracket (A) to the Clip Nuts and/or the factory threaded holes with (2) 8mm x 25mm Hex Bolts, (2) 8mm Lock Washers and (2) 8mm x 24mm Flat Washers (Fig 5). **DO NOT** tighten hardware.

Driver/Left side Installation Pictured



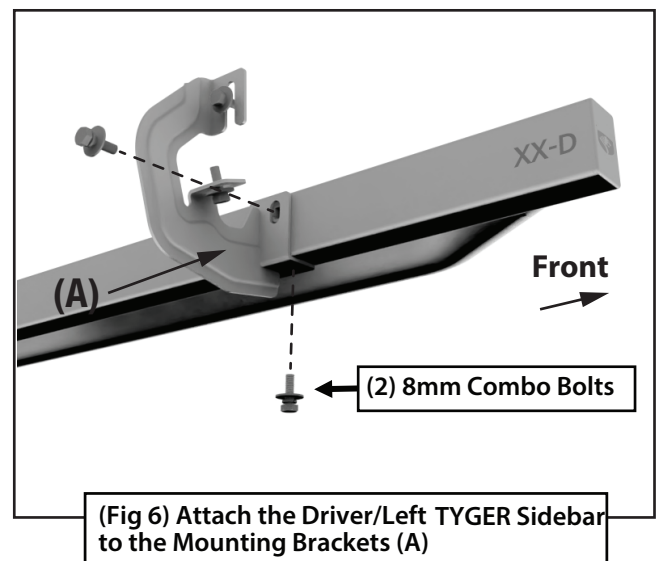
STEP 4

Repeat **STEPS 1-3** to attach (3) Mounting Brackets (A) to the **Driver/Left** side.

STEP 5

Select the **Driver/Left** Side Armor. Attach the Sidebar to the Mounting Brackets (A) with (8) 8mm Combo Bolts (Fig 6). **DO NOT** tighten hardware

Driver/Left side Installation Pictured



STEP 6

Move to the **Passenger/Right** side of the vehicle. Determine if the vehicle is equipped with a plastic diesel exhaust fluid (DEF) tank (Figs 7 & 8).

Models without DEF tank, skip to STEP 7.

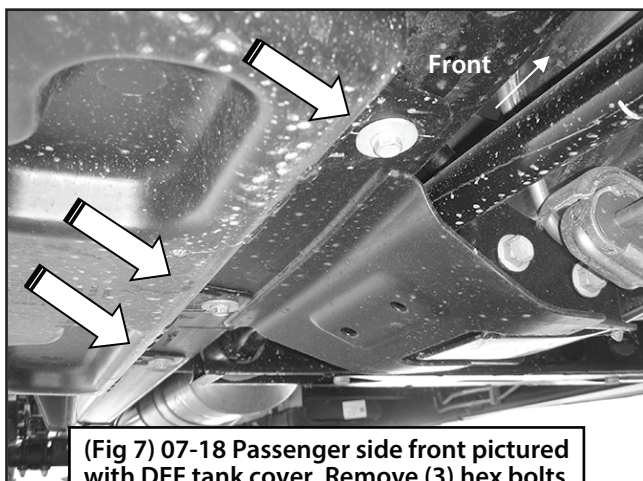
Models with DEF tank: The tank sits close to the side of the body. With specialized tools, the **Passenger/Right** Front Upper (D) and Lower Mounting Brackets can be installed but room is very limited. Determine model year of vehicle before proceeding.

• **Up to 2016 models:**

It may be easier to drop the tank down to access the inner side of the body panel for upper bracket installation. Tank will not need to be removed, only dropped down for access to mounting location. **IMPORTANT:** If tank is full, it will be very heavy and assistance is highly recommended to avoid injury or damage to the vehicle or the tank. It is recommended that installation is performed when the DEF tank is low on fluid before dropping the tank.

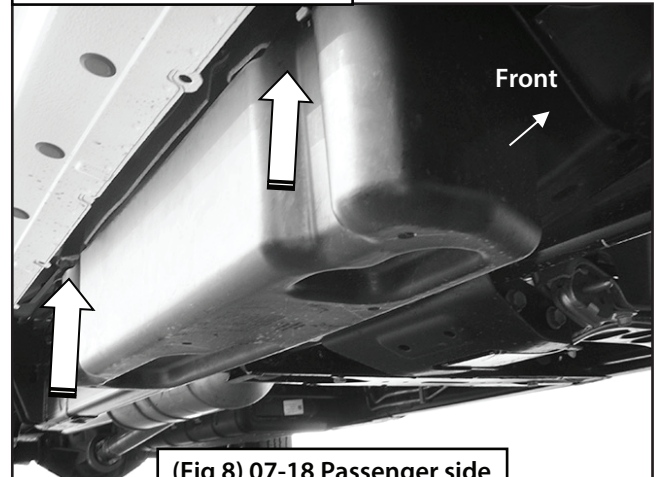
- a. On models with plastic lower tray under the tank, remove the (3) hex bolts attaching the tray to the frame (Fig 7), and remove the tray.
- b. Release the tank filler hose. Release the plug for the sending unit on the top of the tank.
- c. Support the tank with a floor jack. Place a smooth flat surface, (wooden block for example), between the floor jack and the tank to avoid damaging the plastic tank. **DO NOT** push up on the tank; only support the weight of the tank with the jack.
- d. Remove the (2) bolts securing the tank straps to the vehicle (Fig 8). Tilt the straps to release from the brackets. Slowly lower the tank until the top of the tank is almost visible. Use blocks or stands to support the tank while installing the Front Upper and Lower Brackets.
- e. Proceed to **STEP 7**.

Passenger/Right side Installation Pictured



(Fig 7) 07-18 Passenger side front pictured with DEF tank cover. Remove (3) hex bolts to remove cover

Remove (2) factory bolts to remove tank straps

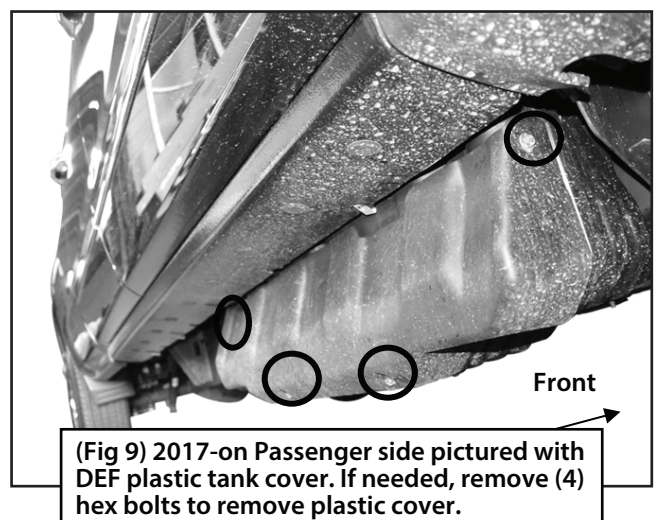


(Fig 8) 07-18 Passenger side DEF tank and cover

• **On 2017 models and on:**

- a. If necessary, remove the (4) hex bolts attaching plastic cover to DEF tank (Fig 9) and remove plastic cover for better access. **NOTE:** On 2017-on 2500/3500 models, only remove plastic cover from DEF tank. **DO NOT** lower DEF tank and proceed to **STEP 7**.

Passenger/Right Installation Pictured

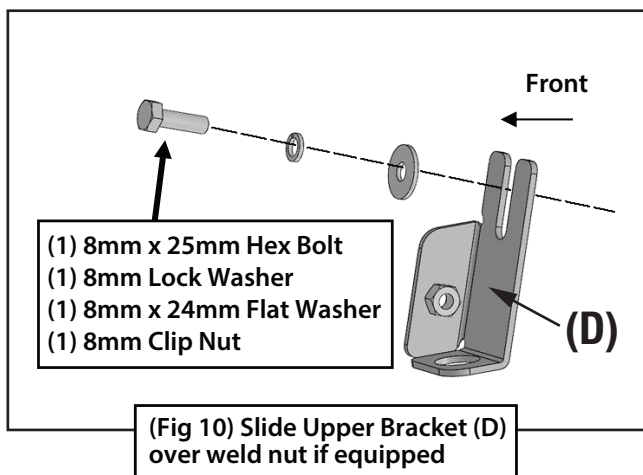


(Fig 9) 2017-on Passenger side pictured with DEF plastic tank cover. If needed, remove (4) hex bolts to remove plastic cover.

STEP 7

Locate the first tab on the edge of the pinch weld. Select the Upper Bracket (D) (Fig 10). Repeat **STEPS 2 & 3** to attach the **Passenger/Right** Front Upper Mounting Bracket (D) to the side of the rocker panel (Fig 10). **DO NOT** tighten hardware.

Passenger/Right side Installation Pictured

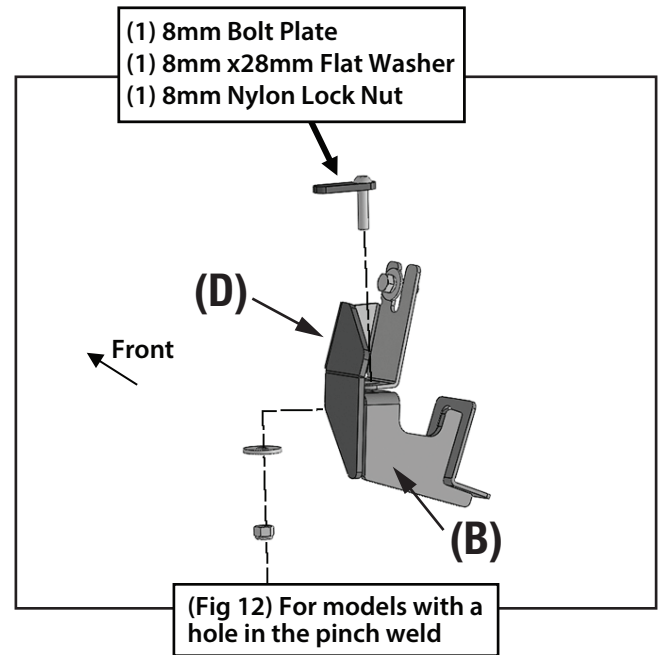
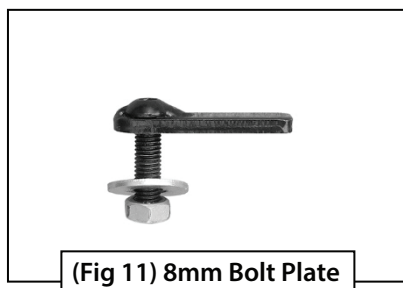


STEP 8

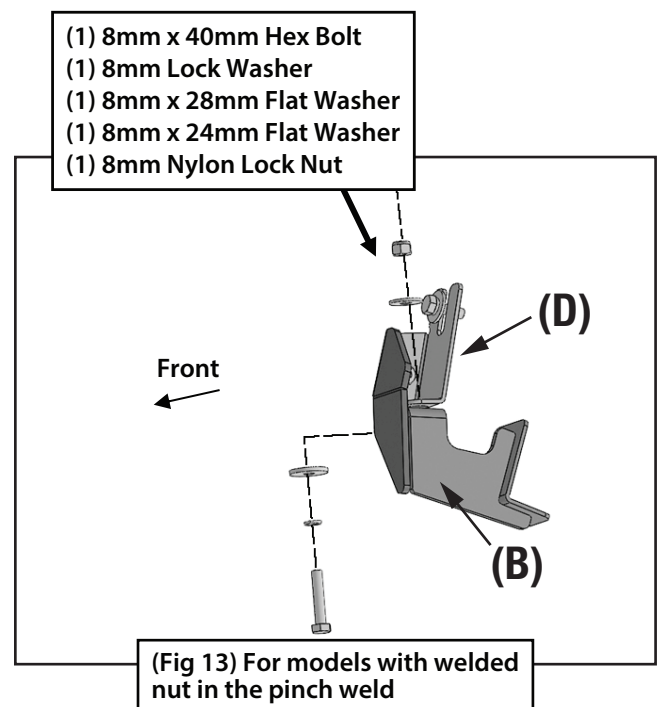
Line up the hole in the bottom of the Upper Bracket (D) with the hole in the tab on the pinch weld.

a. Models with flat tab and hole: Insert the 8mm Bolt Plate down through the hole in the Upper Bracket (D) and tab. Attach the Lower Bracket (B) to the bottom of the body and Bolt Plate with (1) 8mm x 28mm Flat Washer and (1) 8mm Nylon Lock Nut (Figs 11 & 12). **DO NOT** tighten hardware.

Passenger/Right side Installation Pictured



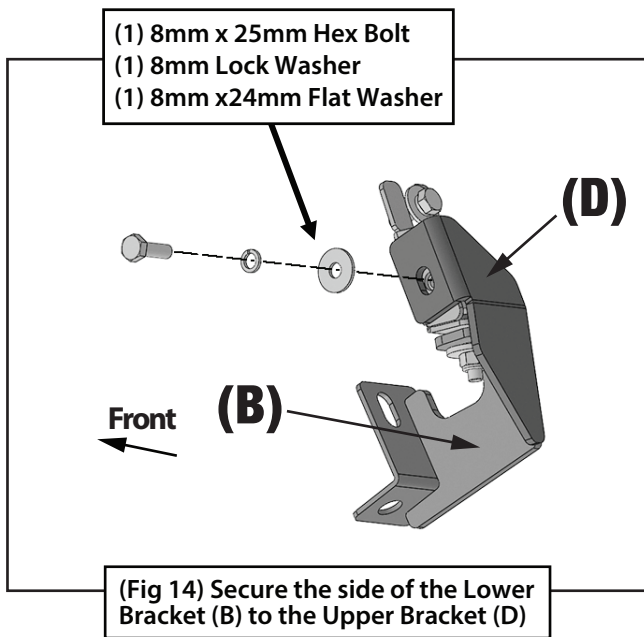
b. Models with a weld-nut: Slide the Bracket over the weld-nut. Attach the Lower Bracket (B) to the bottom of the body and weld-nut with (1) 8mm x 40mm Hex Bolt, (1) 8mm Lock Washer, (1) 8mm x 28mm Flat Washer, (1) 8mm x 24mm Flat Washer and (1) 8mm Nylon Lock Nut (Fig 13). **DO NOT** tighten hardware.



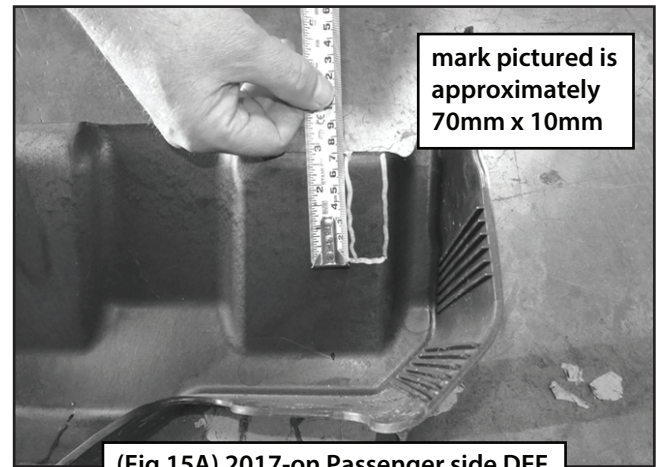
STEP 9

Secure the rear of the Lower Bracket (B) to the Upper Bracket (D) with (1) 8mm Hex Bolt, (1) 8mm Lock washer and (1) 8mm x 24mm Flat Washer (Fig 14). DO NOT tighten hardware.

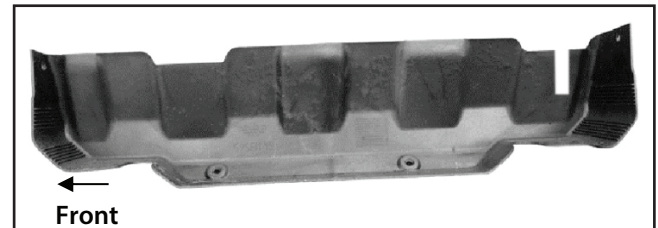
Passenger/Right side Installation Pictured



Passenger/Right side Installation Pictured



(Fig 15A) 2017-on Passenger side DEF cover marked for trimming



(Fig 15B) 2017-on Passenger DEF cut for example only

STEP 10

Repeat **STEPS 1-3** to attach the remaining (3) Passenger/Right Mounting Brackets (C) to the Passenger/Right rocker panel.

STEP 12

Repeat **STEP 5** to attach the **Passenger/Right** Sidebar .

STEP 13

Once the Sidebar has been attached and all hardware fully tightened, reinstall the DEF tank and cover, if equipped, as described in **STEP 6**.

STEP 14

Do periodic inspections to the installation to make sure that all hardware is secure and tight.

STEP 11

For 2017 2500/3500 DEF tank models: Locate the 2nd mounting location along the bottom edge of the body, (pinch weld) (Fig 1). Hold the DEF cover in place and mark the 2nd Bracket location onto the cover (Fig 15A). Use a sharp knife or hacksaw blade to carefully cut a slot in the plastic cover to clear the 2nd Bracket (Fig 15B). Remove as little plastic as possible.