



TYGER TRAX

TG-NB7C20178

BEFORE INSTALLATION

READ INSTRUCTIONS CAREFULLY BEFORE STARTING INSTALLATION. REMOVE CONTENTS FROM BOX AND VERIFY ALL PARTS ARE PRESENT. FAILURE TO IDENTIFY DAMAGE BEFORE INSTALLATION COULD LEAD TO A REJECTION OF ANY CLAIM. IF MISSING PARTS OR ANY DAMAGE FOUND, PLEASE TAKE A PICTURE FOR THE CLAIM PURPOSE. TO FILE YOUR CLAIM, PLEASE VISIT: WWW.TYGERAUTO.COM/CONTACT

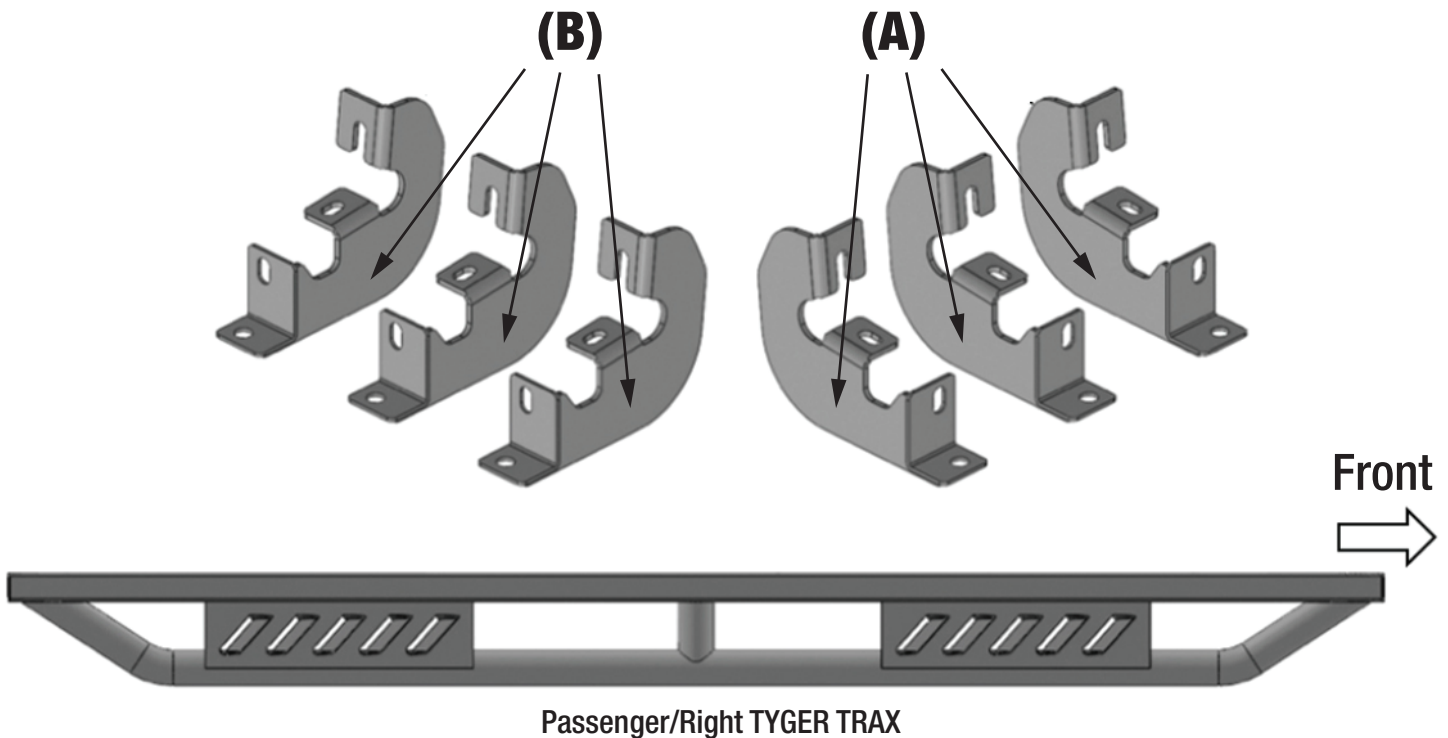
TORQUE VALUES

Fastener Size	Class 8.8 Torque (ft-lbs)	Class 10.9 Torque (ft-lbs)
6mm	6-7	6-7
8mm	15-16	22-23
10mm	31-32	44-45
12mm	54-55	78-79
14mm	87-88	125-126

- x1** Driver/Left TYGER TRAX
- x1** Passenger/Right TYGER TRAX
- x3** Driver/Left Mounting Brackets (A)
- x3** Passenger/Right Mounting Brackets (B)
- x12** 8-1.25mm x 30mm Hex Bolts
- x12** 8-1.25mm x 25mm Combo Bolts
- x12** 8mm Lock Washers
- x12** 8mm x 24mm OD x 2mm Flat Washers
- x12** 8mm Clip Nuts

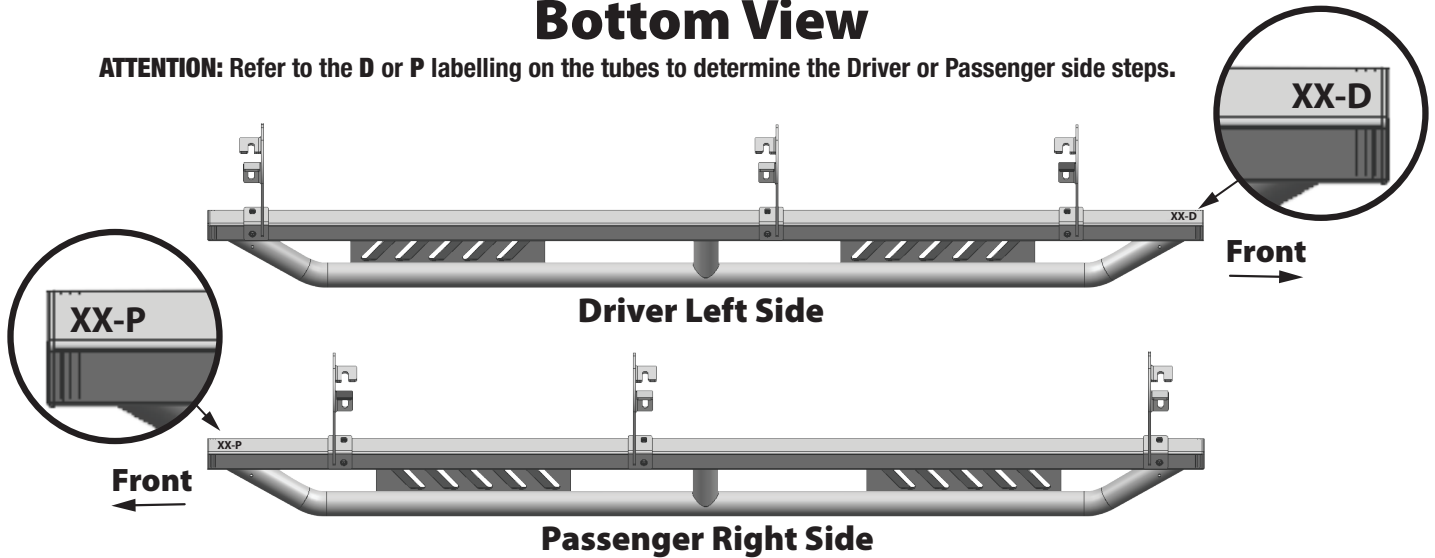
Parts List

Reference the letters printed on the brackets to determine mounting locations



Bottom View

ATTENTION: Refer to the **D** or **P** labelling on the tubes to determine the Driver or Passenger side steps.



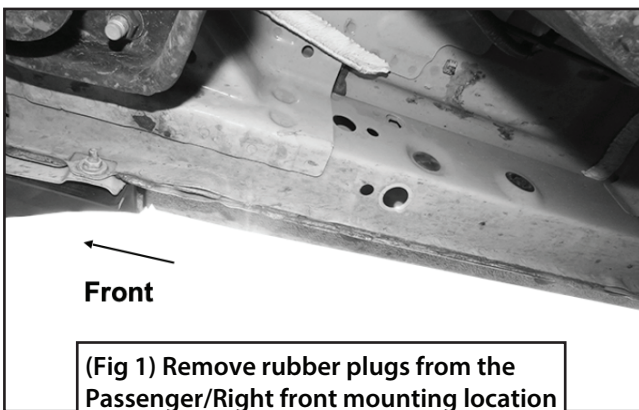
PROCEDURE:

REMOVE CONTENTS FROM BOX. VERIFY ALL PARTS ARE PRESENT. READ INSTRUCTIONS CAREFULLY BEFORE STARTING INSTALLATION. ASSISTANCE IS RECOMMENDED.

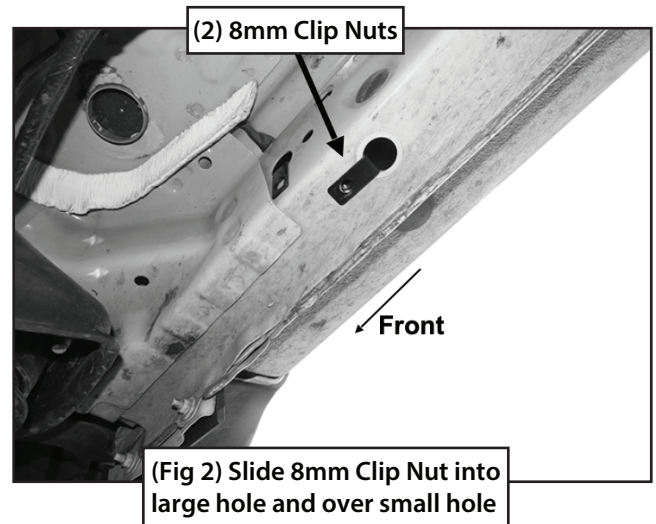
STEP 1

Start the installation under the Passenger/Right side of the vehicle. Locate the front mounting location along the bottom and inner side of the body panel (Fig 1). Installation will use the 1st, 2nd and 4th mounting locations. **NOTE:** It may help to hold a Bracket up in place to help determine the mounting holes to use along the bottom and inner side of the body.

Passenger/Right side Installation Pictured



Passenger/Right side Installation Pictured



STEP 3

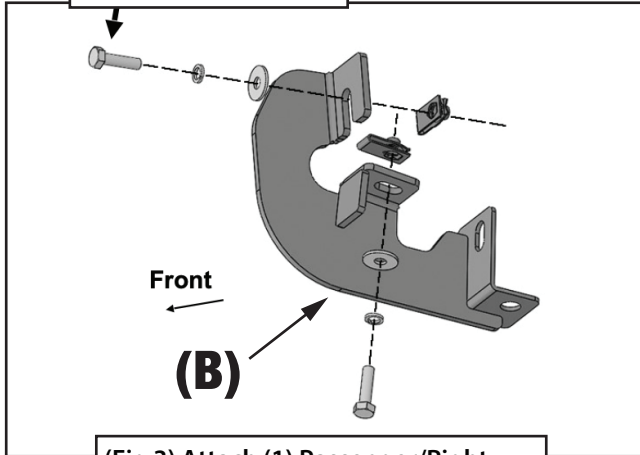
Select (1) Passenger/Right Mounting Bracket (B). Attach the Mounting Bracket (B) to the (2) Clip Nuts in the vehicle with (2) 8mm Hex Bolts, (2) 8mm Lock Washers and (2) 8mm Flat Washers, (Fig 3). DO NOT tighten hardware.

STEP 2

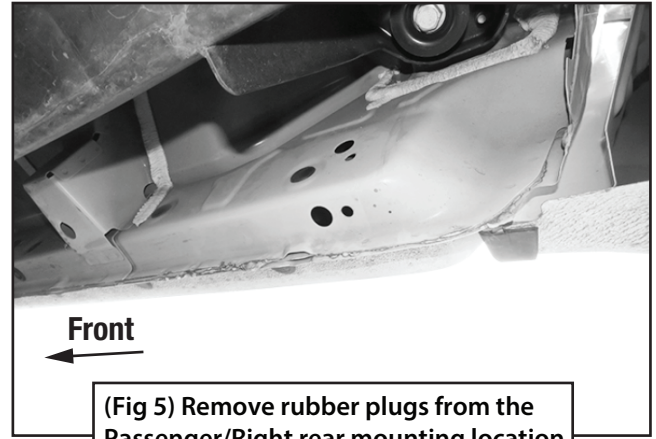
Remove rubber plugs from the front location. Select (2) 8mm Clip Nuts. Slide each Clip Nut into the large hole and over the smaller hole next to it. Line up threaded nut on the Clip Nut with smaller hole in body panel (Fig 2).

Passenger/Right side Installation Pictured

- (2) 8mm Hex Bolts
- (2) 8mm Lock Washers
- (2) 8mm Flat Washers
- (2) 8mm Clip Nuts



(Fig 3) Attach (1) Passenger/Right Mounting Bracket (B) to the Clip Nuts

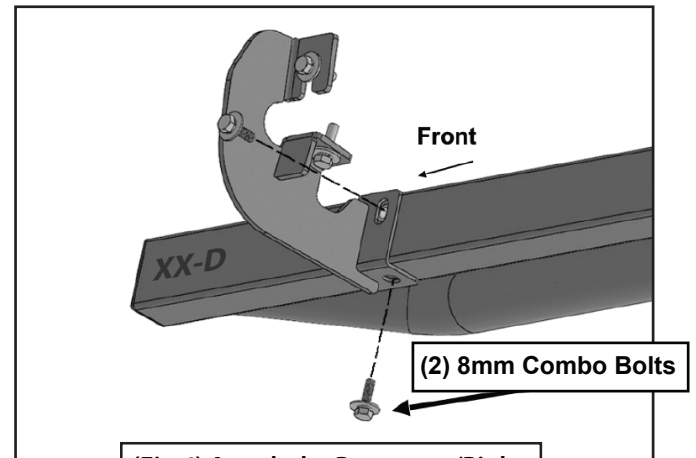


(Fig 5) Remove rubber plugs from the Passenger/Right rear mounting location

STEP 5

Select the Passenger/Right TYGER TRAX. Attach the TYGER TRAX to the Mounting Brackets with (6) 8mm Combo Bolts (Fig 6). DO NOT tighten hardware.

Passenger/Right side Installation Pictured



(Fig 6) Attach the Passenger/Right Sidebar to the Mounting Brackets

STEP 6

Repeat STEPS 1-5 to attach the Driver/Left TYGER TRAX.

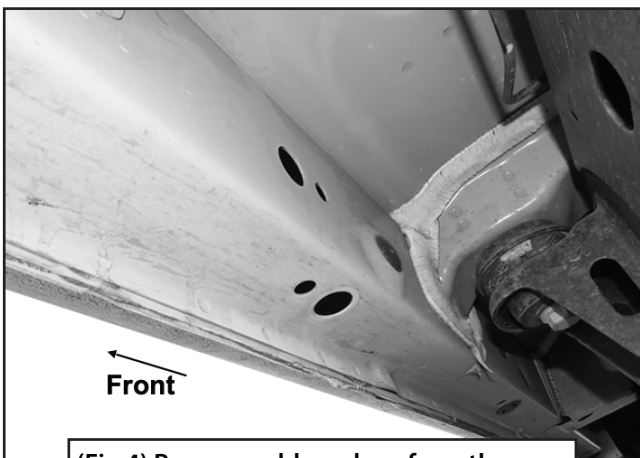
STEP 7

Do periodic inspections to the installation to make sure that all hardware is secure and tight.

STEP 4

Repeat STEPS 1-3 to attach the remaining (2) Passenger/Right Mounting Bracket (B) to the **2nd** and **rear** locations (Figs 3-5). DO NOT tighten hardware.

Passenger/Right side Installation Pictured



(Fig 4) Remove rubber plugs from the Passenger/Right center mounting location