



TYGER TRAX

TG-NB7F20548

BEFORE INSTALLATION

READ INSTRUCTIONS CAREFULLY BEFORE STARTING INSTALLATION. REMOVE CONTENTS FROM BOX AND VERIFY ALL PARTS ARE PRESENT. FAILURE TO IDENTIFY DAMAGE BEFORE INSTALLATION COULD LEAD TO A REJECTION OF ANY CLAIM. IF MISSING PARTS OR ANY DAMAGE FOUND, PLEASE TAKE A PICTURE FOR THE CLAIM PURPOSE. TO FILE YOUR CLAIM, PLEASE VISIT: WWW.TYGERAUTO.COM/CONTACT

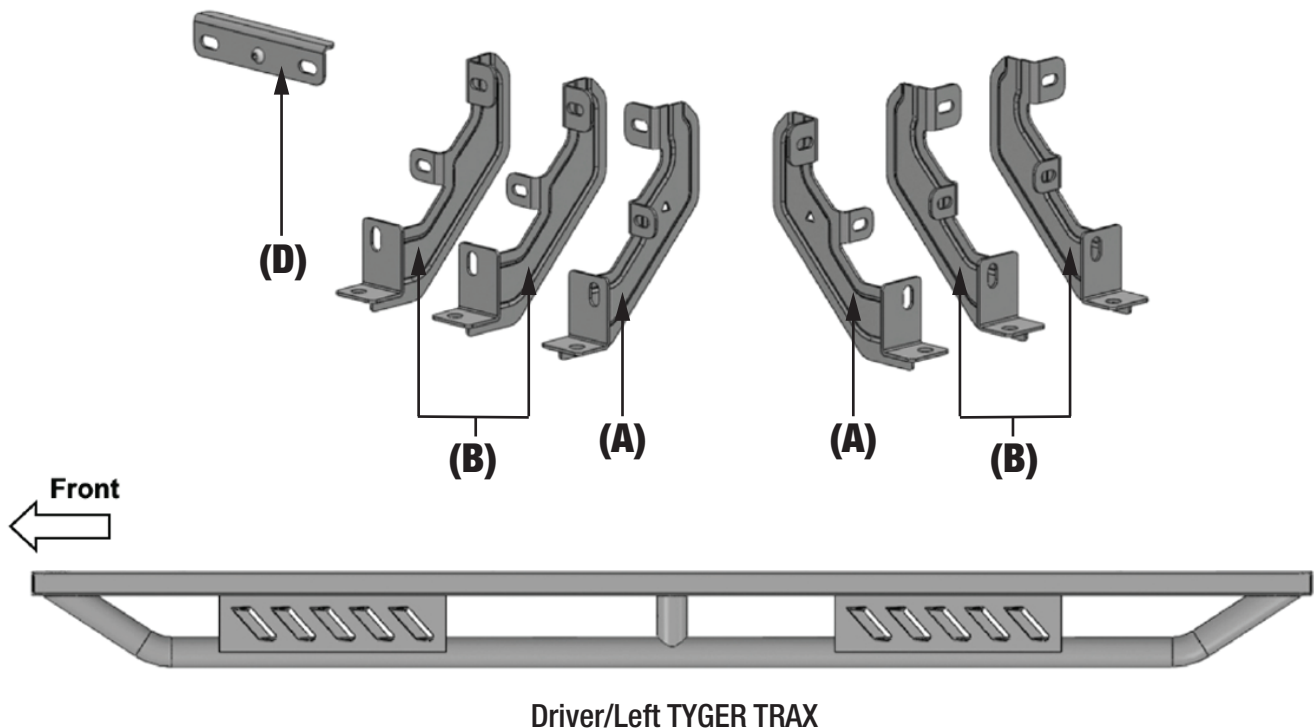
TORQUE VALUES

Fastener Size	Class 8.8 Torque (ft-lbs)	Class 10.9 Torque (ft-lbs)
6mm	6-7	6-7
8mm	15-16	22-23
10mm	31-32	44-45
12mm	54-55	78-79
14mm	87-88	125-126

- x1** Driver/Left TYGER TRAX
- x1** Passenger/Right TYGER TRAX
- x2** Front Mounting Brackets (A)
- x4** Center/Rear Mounting Brackets (B)
- x6** Support Brackets (D)
- x12** 8mm x 25mm Combo Bolts
- x24** 8mm x 24mm OD x 2mm Flat Washers
- x24** 8mm Lock Nuts
- x18** 8mm Plastic Retainers

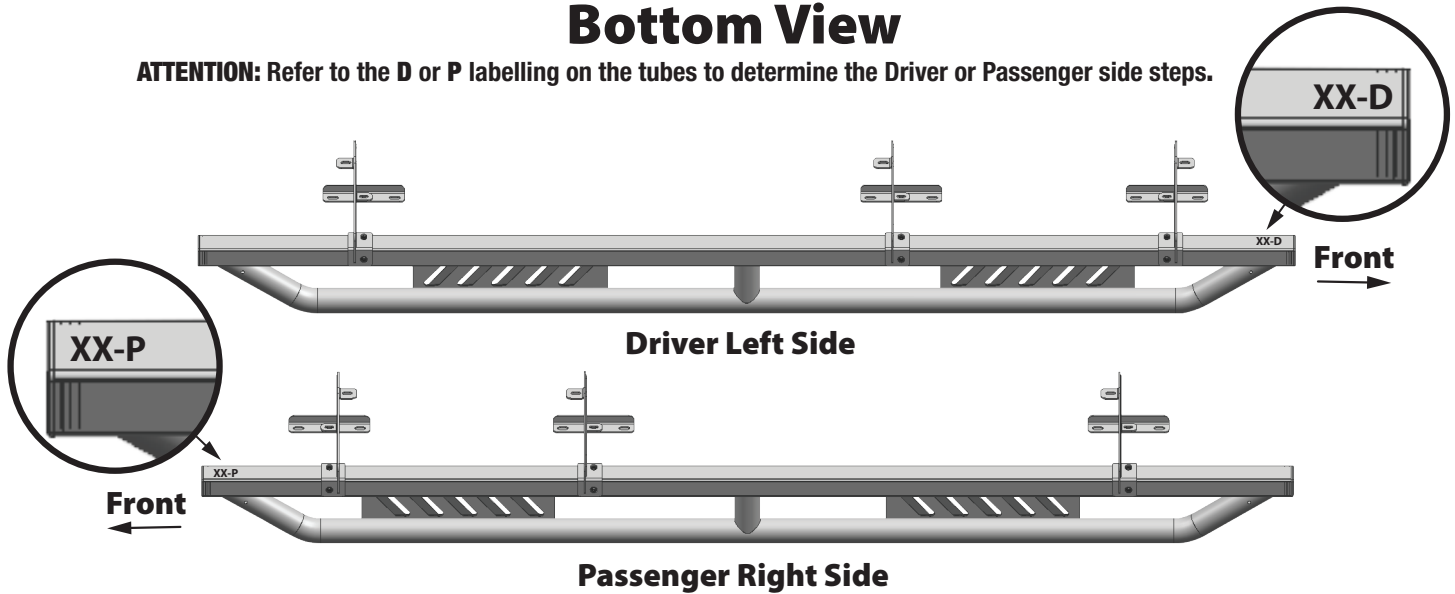
Parts List

Reference the letters printed on the brackets to determine mounting locations



Bottom View

ATTENTION: Refer to the D or P labelling on the tubes to determine the Driver or Passenger side steps.



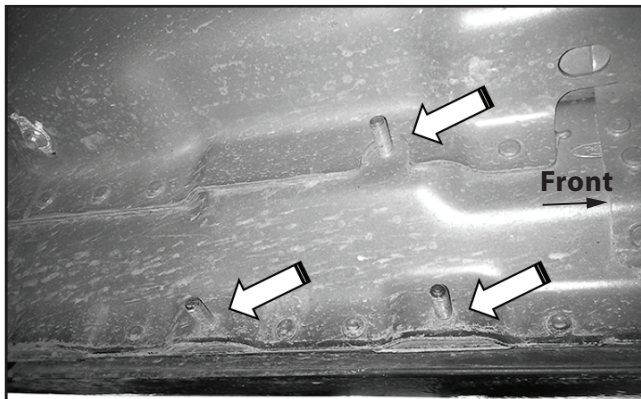
PROCEDURE:

REMOVE CONTENTS FROM BOX. VERIFY ALL PARTS ARE PRESENT. READ INSTRUCTIONS CAREFULLY BEFORE STARTING INSTALLATION. ASSISTANCE IS RECOMMENDED.

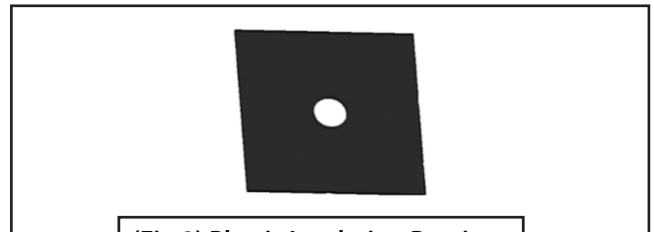
STEP 1

Start the installation under the Driver/Left side of the vehicle. Locate the front factory mounting location along the inner side of the body (Fig 1). Use a wire brush or thread chaser die to remove excess paint and/or undercoating from all studs.

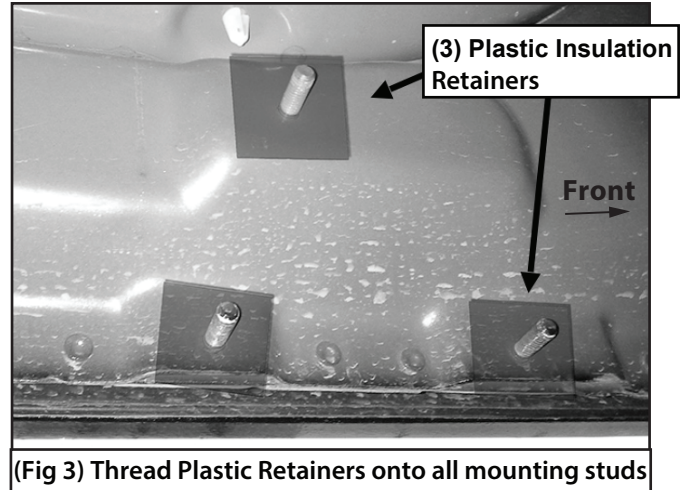
Driver/Left side Installation Pictured



(Fig 1) Example of typical mounting location



(Fig 2) Plastic Insulation Retainer



(Fig 3) Thread Plastic Retainers onto all mounting studs

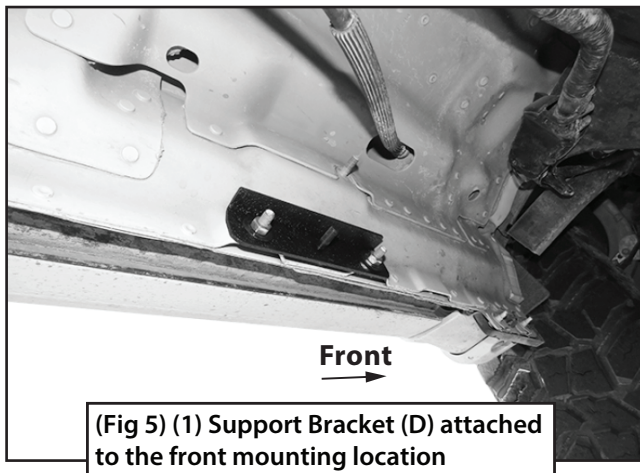
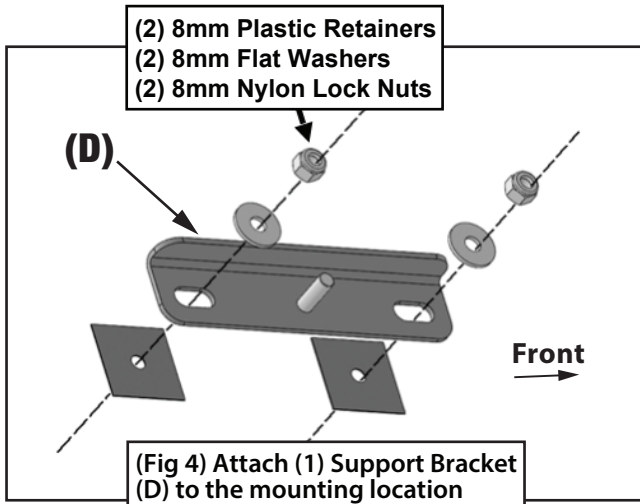
STEP 2

Slide (1) Plastic Retainer over each of the (3) factory mounting studs in the body panel (Figs 2-3). **IMPORTANT:** The Plastic Retainers are designed to prevent corrosion between the aluminum body panel and the steel mounting brackets. **DO NOT** install the Brackets without the Plastic Retainers.

STEP 3

Select (1) Support Bracket (D) (Fig 4). Attach the Bracket (D) to the (2) studs on the pinch trim with (2) 8mm Flat Washers and (2) 8mm Nylon Lock Nuts (Figs 4 & 5). **DO NOT** tighten hardware.

Driver/Left side Installation Pictured



STEP 5

Repeat **STEPS 3 & 4** to attach (2) Center/Rear Mounting Bracket (B) and (2) Support Bracket (D) to the center and rear mounting locations.

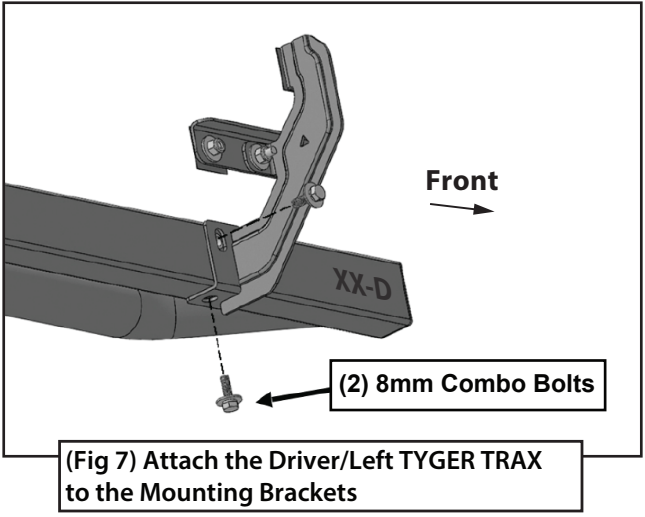
STEP 6

Select the Driver/Left TYGER TRAX. Place the TYGER TRAX onto the cradles of the Mounting Brackets. **IMPORTANT:** DO NOT slide the TYGER TRAX front to back or damage to the finish may result.

STEP 7

Attach the Sidebar to the (3) Mounting Brackets with (6) 8mm Combo Bolts (Fig 7). DO NOT tighten hardware.

Driver/Left side Installation Pictured



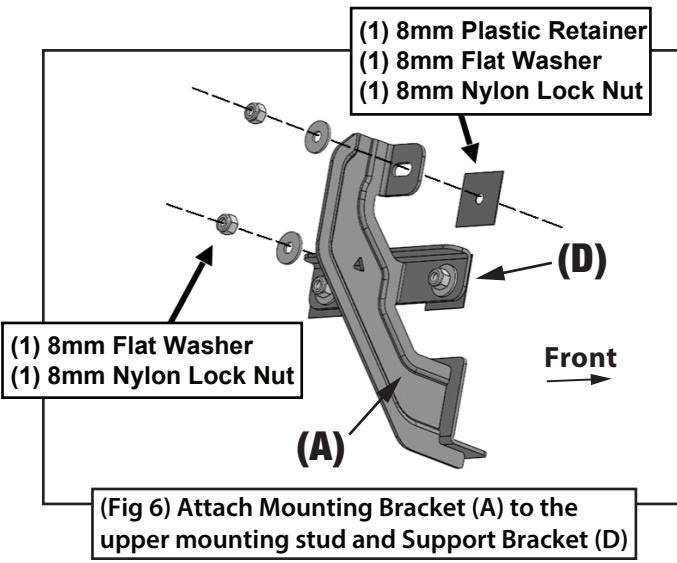
STEP 8

Level and adjust the TYGER TRAX and tighten all hardware.

STEP 4

Select (1) Front Mounting Bracket (A) (Fig 6). Attach the Bracket (A) to the upper stud in the rocker panel and Support Bracket (D) with (1) 8mm Plastic Retainer, (2) 8mm Flat Washers, and (2) 8mm Nylon Lock Nuts (Fig 6). DO NOT tighten hardware.

Driver/Left side Installation Pictured



STEP 9

Repeat **STEPS 1-8** to attach the Passenger/Right TYGER TRAX.

STEP 10

Do periodic inspections to the installation to make sure that all hardware is secure and tight.