



# TYGER TRAX

TG-NB7T20048

## BEFORE INSTALLATION

READ INSTRUCTIONS CAREFULLY BEFORE STARTING INSTALLATION. REMOVE CONTENTS FROM BOX AND VERIFY ALL PARTS ARE PRESENT. FAILURE TO IDENTIFY DAMAGE BEFORE INSTALLATION COULD LEAD TO A REJECTION OF ANY CLAIM. IF MISSING PARTS OR ANY DAMAGE FOUND, PLEASE TAKE A PICTURE FOR THE CLAIM PURPOSE. TO FILE YOUR CLAIM, PLEASE VISIT: [WWW.TYGERAUTO.COM/CONTACT](http://WWW.TYGERAUTO.COM/CONTACT)

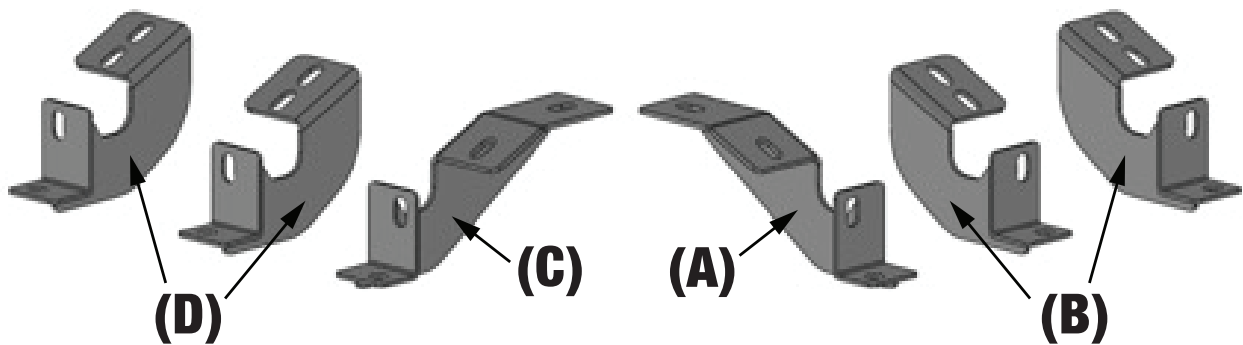
## TORQUE VALUES

Fastener Size	Class 8.8 Torque (ft-lbs)	Class 10.9 Torque (ft-lbs)
6mm	6-7	6-7
8mm	15-16	22-23
10mm	31-32	44-45
12mm	54-55	78-79
14mm	87-88	125-126

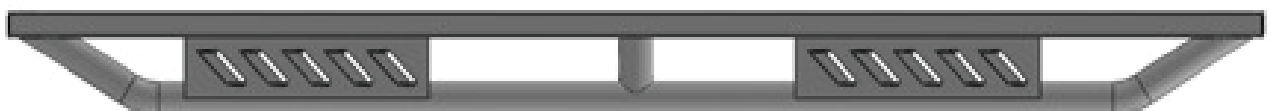
- x1** Driver/Left Tyger Trax
- x1** Passenger/Right Tyger Trax
- x1** Driver/Left Front Mounting Bracket (A)
- x1** Passenger/Right Front Mounting Bracket (C)
- x2** Driver/Left Center/Rear Mounting Brackets (B)
- x2** Passenger/Right Center/Rear Mounting Brackets (D)
- x12** 8mm x 30mm Hex Bolts
- x12** 8mm x 25mm Combo Bolts
- x12** 8mm Lock Washers
- x12** 8mm x 24mm OD x 2mm Flat Washers

## Parts List

Reference the letters printed on the brackets to determine mounting locations



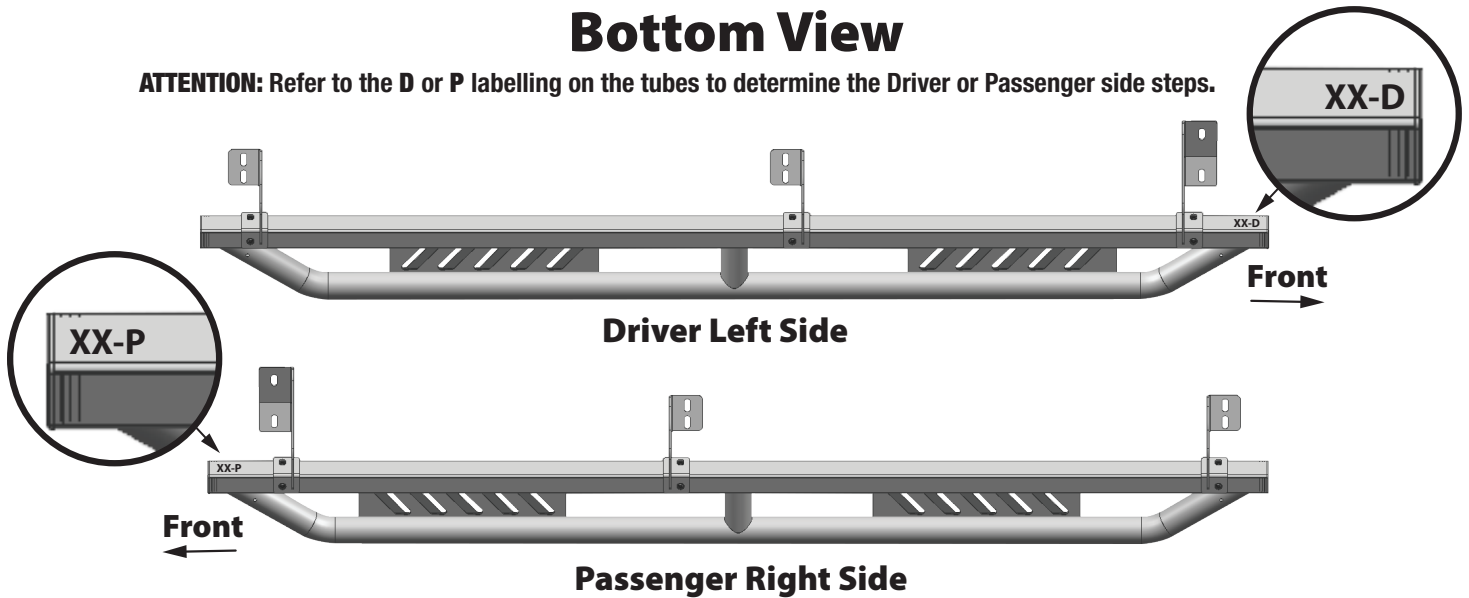
Front  
←



Driver/Left TYGER TRAX

## Bottom View

**ATTENTION:** Refer to the **D** or **P** labelling on the tubes to determine the Driver or Passenger side steps.

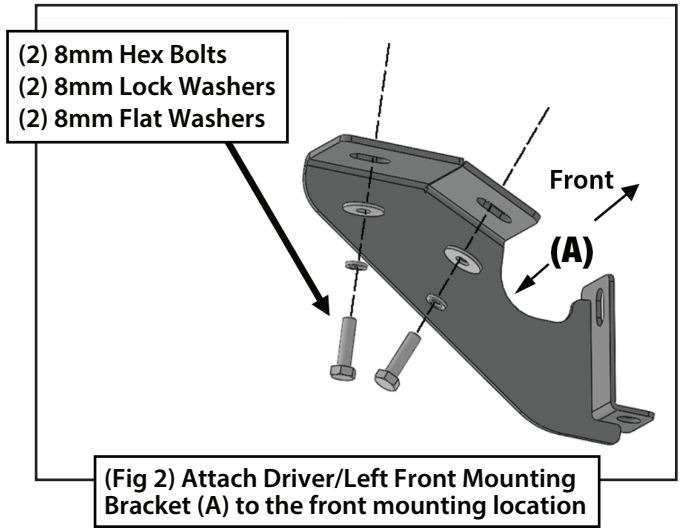


**PROCEDURE:**

REMOVE CONTENTS FROM BOX. VERIFY ALL PARTS ARE PRESENT. READ INSTRUCTIONS CAREFULLY. USE ILLUSTRATION TO IDENTIFY BRACKETS.

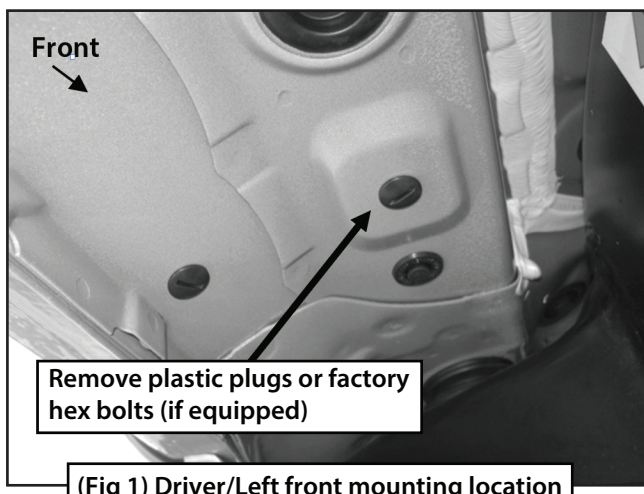
### STEP 1

Starting on the Driver/Left front of the vehicle, remove the plastic plugs, (or hex bolts), covering the threaded holes in the body panel (Fig 1). Select the Driver/Left Front Mounting Bracket (A). Attach the Bracket to the vehicle with (2) 8mm Hex Bolts, (2) 8mm Lock Washers and (2) 8mm Flat Washers (Fig 2). DO NOT tighten hardware.



(Fig 2) Attach Driver/Left Front Mounting Bracket (A) to the front mounting location

Driver/Left Side Installation Pictured

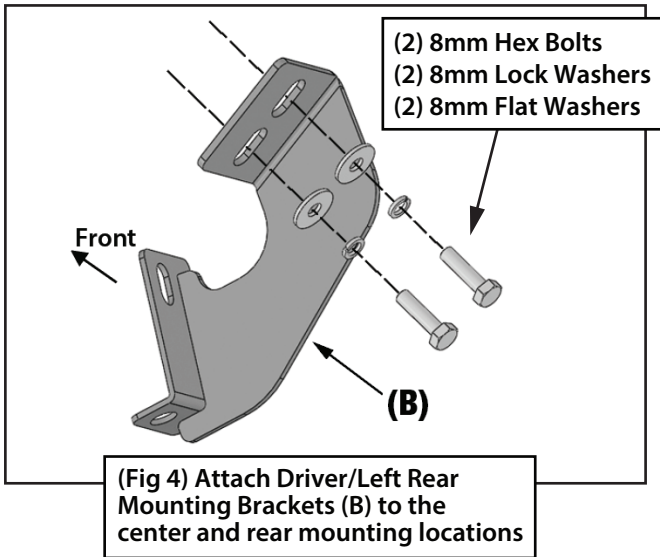


### STEP 2

Move along the body panel to the center mounting location. Select (1) Driver/Left Center/Rear Mounting Bracket (B). Repeat **STEP 1** to install the Mounting Bracket (Figs 3 & 4). DO NOT tighten hardware.

Driver/Left Side Installation Pictured

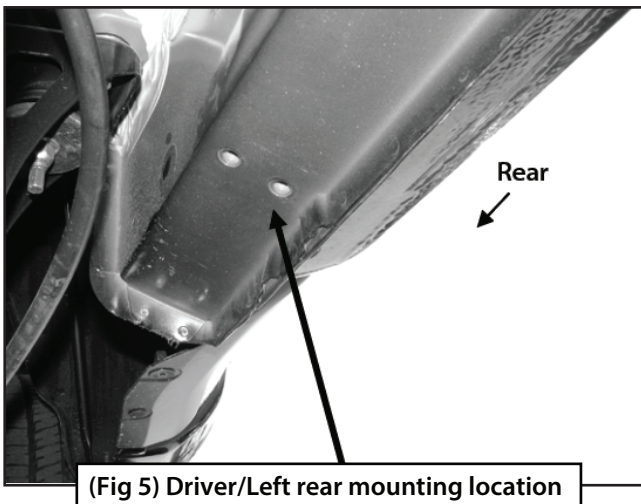




**STEP 3**

Continue to the last mounting location at the back of the cab, (Fig 5). Select the remaining (1) Driver/Left Center/Rear Mounting Bracket (B). Repeat **STEP 2** to attach the Bracket to the rear mounting location. **DO NOT** tighten hardware.

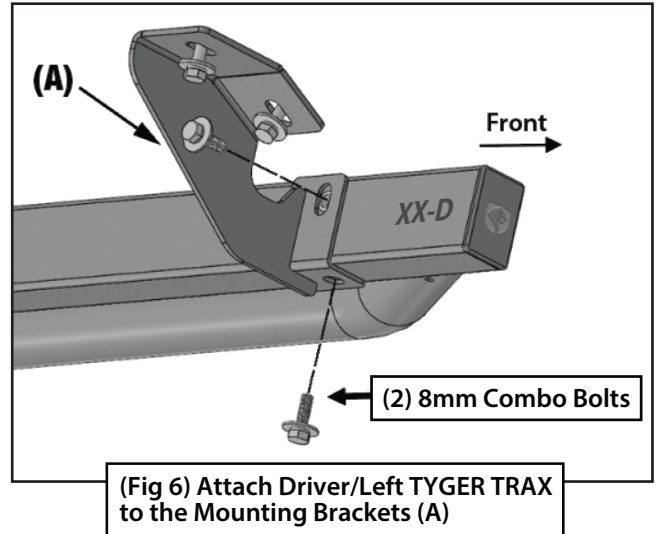
Driver/Left Side Installation Pictured



**STEP 4**

Carefully unwrap the Driver/Left TYGER TRAX. Place the TYGER TRAX onto the Mounting Brackets, (DO NOT slide or damage to the finish to the Side Armor may result). Attach the TYGER TRAX to the Mounting Brackets with (6) 8mm Combo Bolts (Fig 6). **DO NOT** tighten hardware.

Driver/Left Side Installation Pictured



**STEP 5**

Level and adjust the TYGER TRAX and tighten all hardware.

**STEP 6**

Repeat **STEPS 1-5** to attach the Passenger/Right TYGER TRAX.

**STEP 7**

Do periodic inspections to the installation to make sure that all hardware is secure and tight.