



RISER

TG-RS2T40308

Scan to Download the Latest Digital Version



BEFORE INSTALLATION

READ INSTRUCTIONS CAREFULLY BEFORE STARTING INSTALLATION. REMOVE CONTENTS FROM BOX AND VERIFY ALL PARTS ARE PRESENT. FAILURE TO IDENTIFY DAMAGE BEFORE INSTALLATION COULD LEAD TO A REJECTION OF ANY CLAIM. IF MISSING PARTS OR ANY DAMAGE FOUND, PLEASE TAKE A PICTURE FOR THE CLAIM PURPOSE. TO FILE YOUR CLAIM, PLEASE VISIT: WWW.TYGERAUTO.COM/CONTACT

TORQUE VALUES

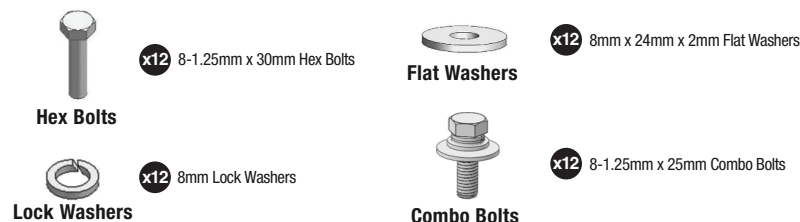
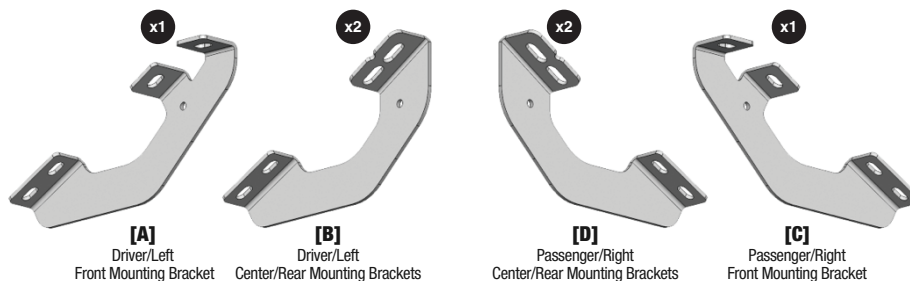
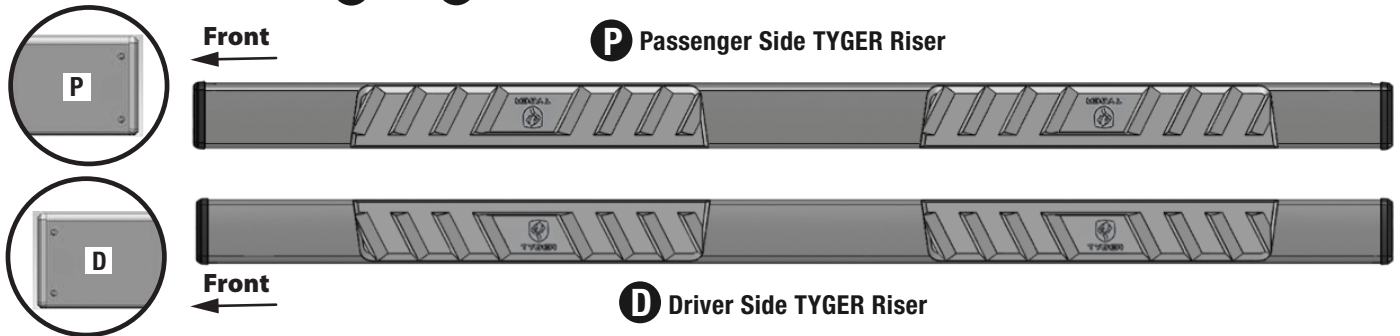
Fastener Size	Class 8.8 Torque (ft-lbs)	Class 10.9 Torque (ft-lbs)
6mm	6-7	6-7
8mm	15-16	22-23
10mm	31-32	44-45
12mm	54-55	78-79
14mm	87-88	125-126

- x1** Driver/Left Tyger Riser
- x1** Passenger/Right Tyger Riser
- x1** Driver/Left Front Mounting Bracket [A]
- x1** Passenger/Right Front Mounting Bracket [C]
- x2** Driver/Left Center/Rear Mounting Brackets [B]
- x2** Passenger/Right Center/Rear Mounting Brackets [D]
- x12** 8mm Lock Washers
- x12** 8mm x 24mm x 2mm Flat Washers
- x12** 8-1.25mm x 25mm Combo Bolts
- x12** 8-1.25mm x 30mm Hex Bolts

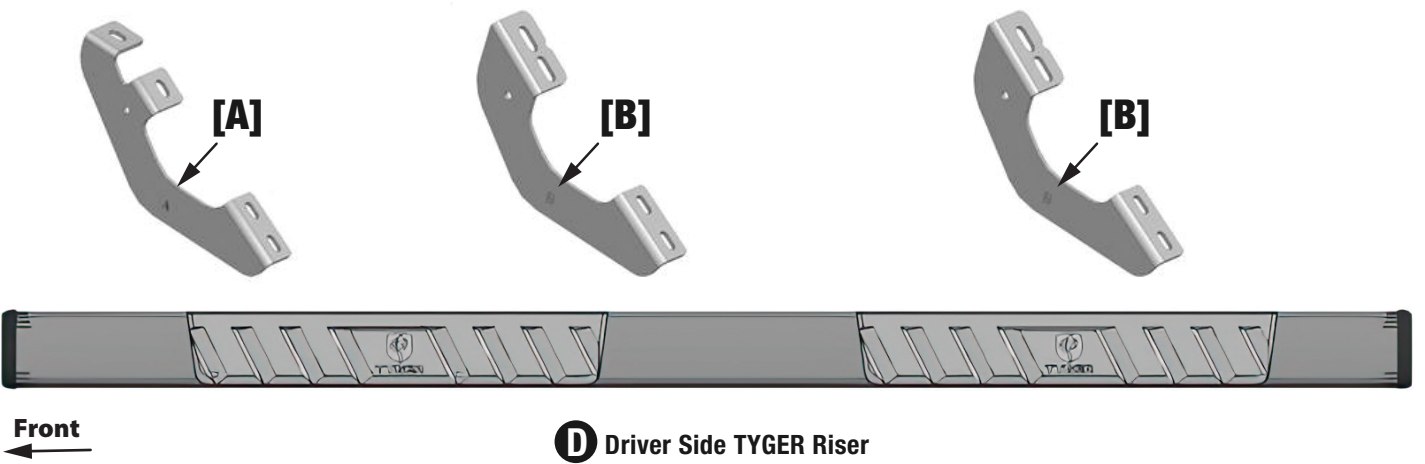
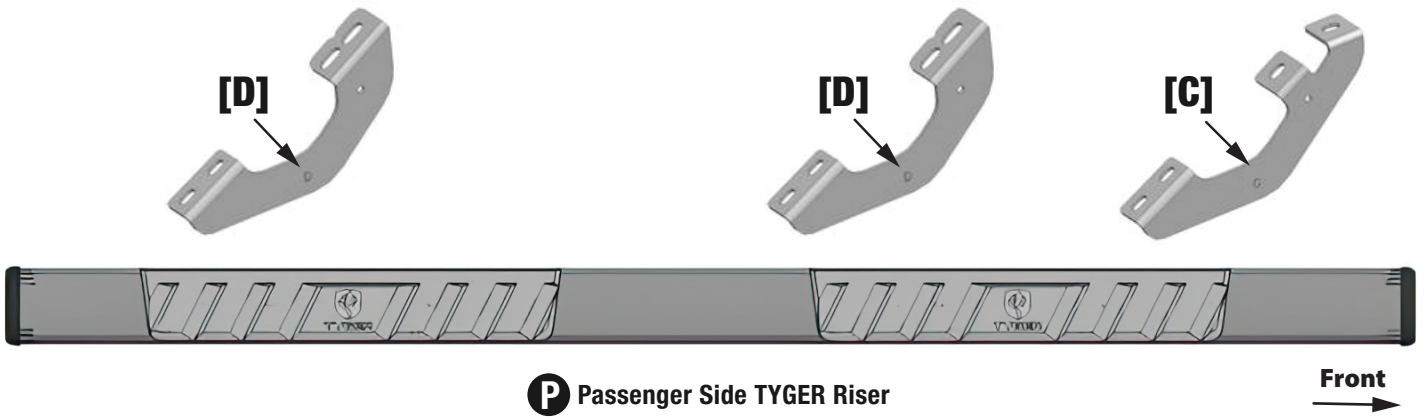
Parts List

Top View

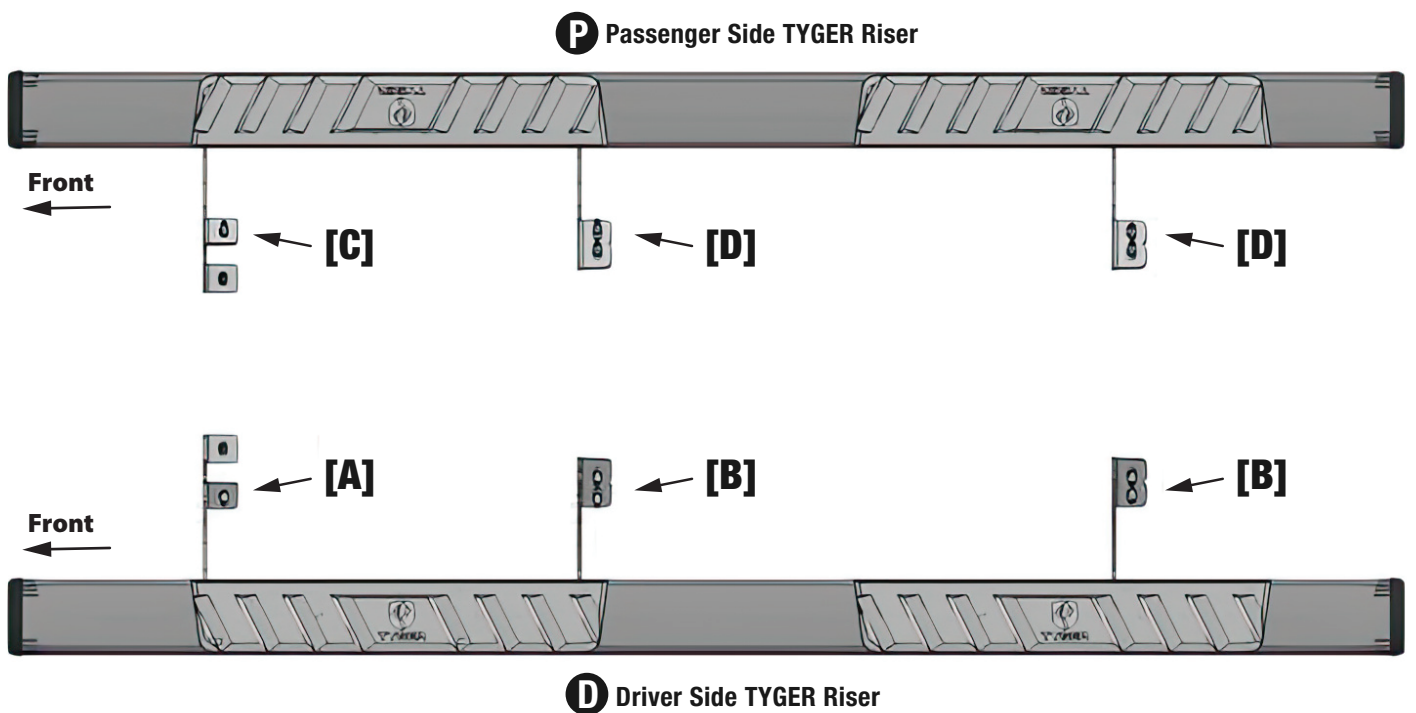
ATTENTION: Refer to **D** and **P** labelling on the side of the tubes to determine Driver and Passenger TYGER Riser



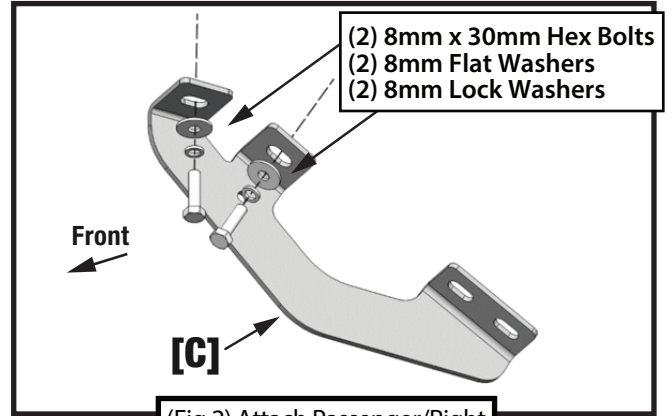
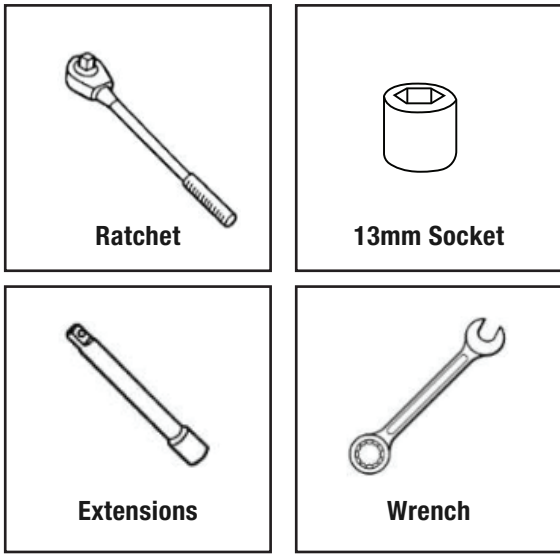
Reference the letters printed on the brackets to determine mounting locations



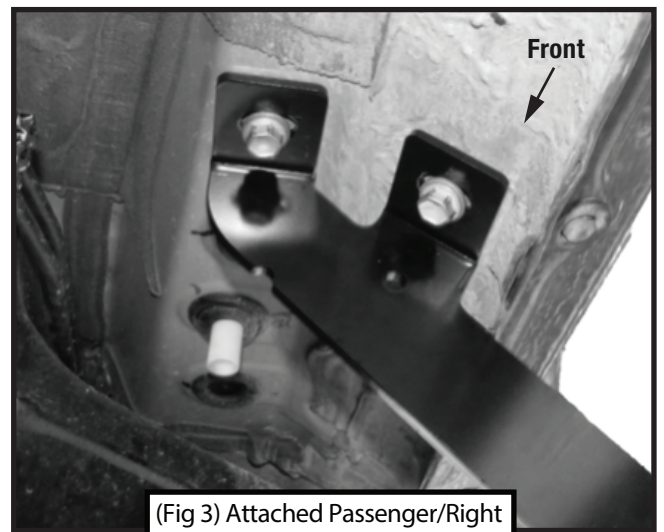
Bottom View



TOOLS REQUIRED



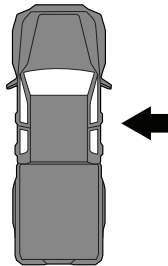
(Fig 2) Attach Passenger/Right Front Mounting Bracket [C]



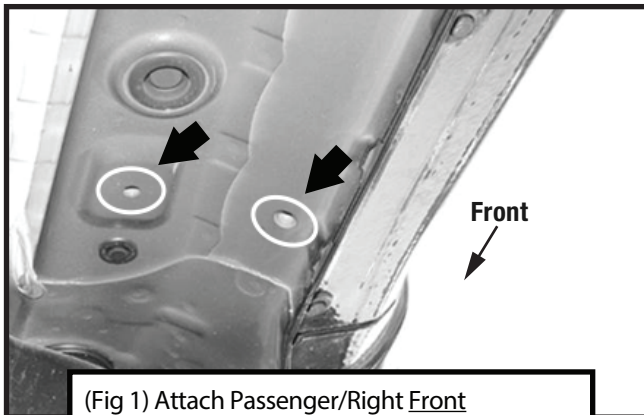
(Fig 3) Attached Passenger/Right Front Mounting Bracket [C]

STEP 1 MOUNTING BRACKETS

Follow (Fig 1 – 9) to attach the brackets to the Passenger/Right Side. Ensure all hardware is hand tightened at this point.



Passenger-side Front Mounting Area

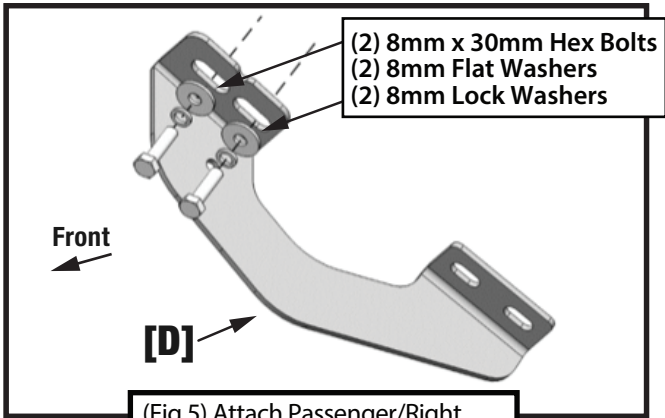


(Fig 1) Attach Passenger/Right Front Mounting Bracket [C] to Passenger/Right Front mounting location using threaded inserts

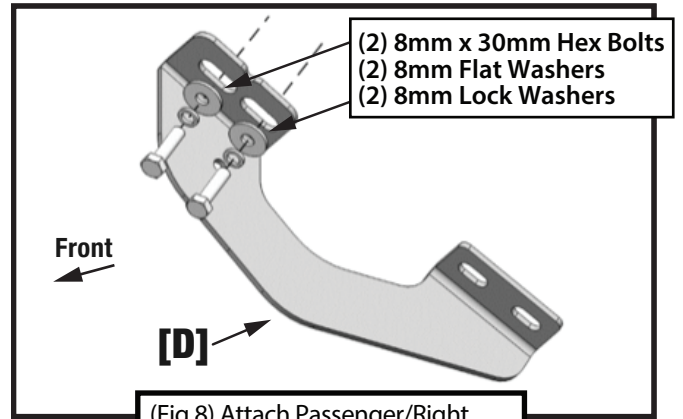
Passenger-side Center Mounting Area



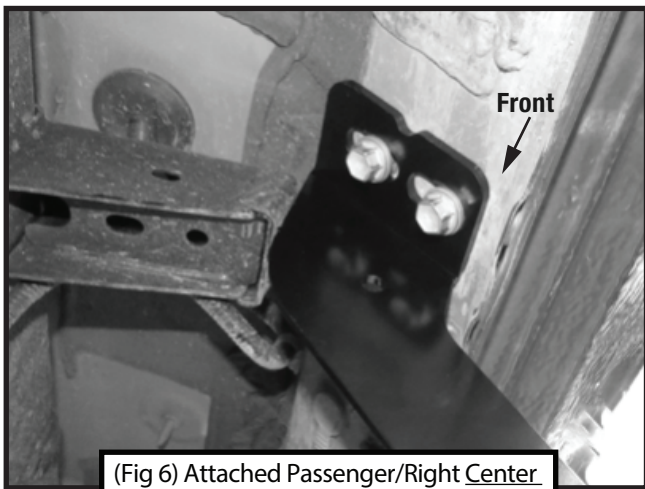
(Fig 4) Attach Passenger/Right Center/Rear Mounting Bracket [D] to Passenger/Right Center mounting location using threaded inserts



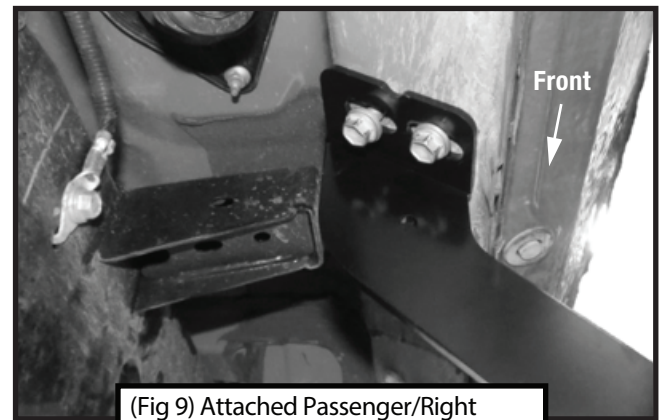
(Fig 5) Attach Passenger/Right Center/Rear Mounting Bracket [D]



(Fig 8) Attach Passenger/Right Center/Rear Mounting Bracket [D]

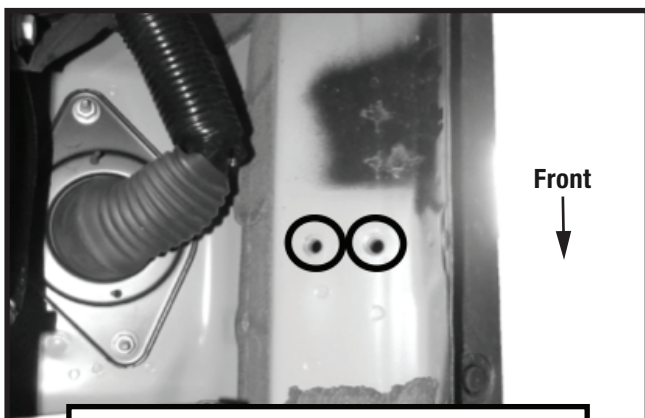


(Fig 6) Attached Passenger/Right Center Mounting Bracket [D]

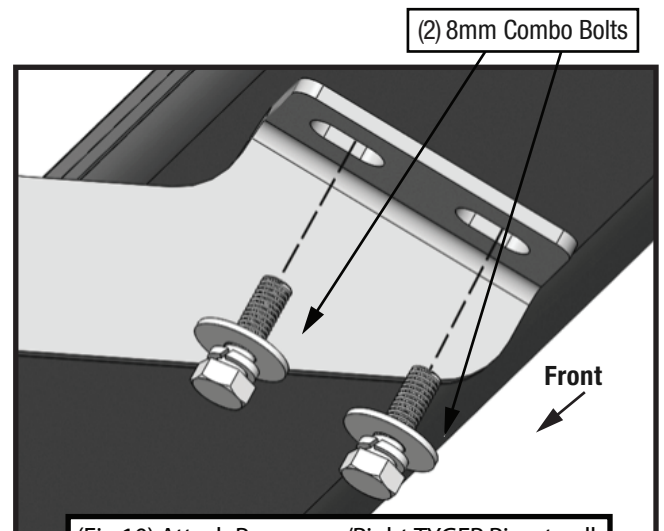


(Fig 9) Attached Passenger/Right Rear Bracket [D] at rear

Passenger-side Rear Mounting Area



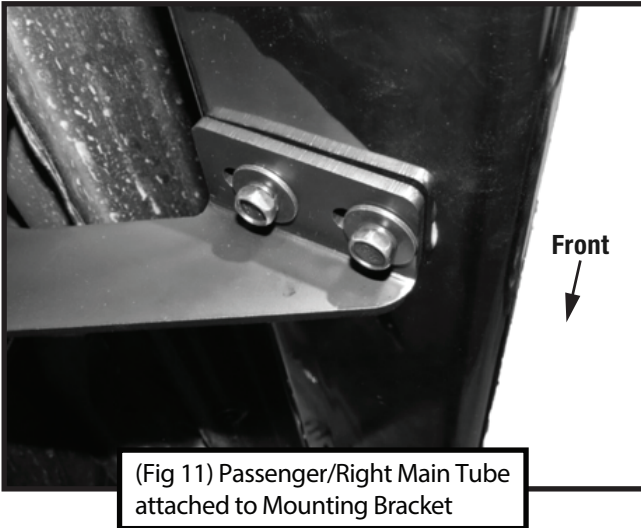
(Fig 7) Attach Passenger/Right Center/Rear Mounting Bracket [D] to Passenger/Right Rear mounting location using threaded inserts



(Fig 10) Attach Passenger/Right TYGER Riser to all Passenger/Right Mounting Brackets

STEP 2 MOUNTING RUNNING BOARD

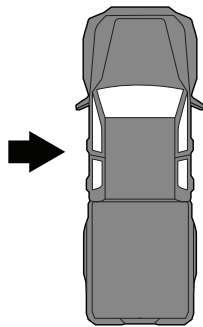
Follow (Fig 10 – 11) to attach the TYGER Riser to the Passenger/Right Mounting Brackets. Ensure fasteners are only hand tight at this point.



(Fig 11) Passenger/Right Main Tube attached to Mounting Bracket

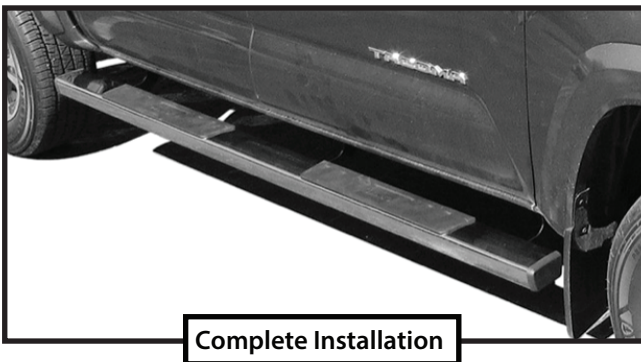
STEP 3 DRIVER SIDE

Repeat **STEPS 1-2** for driver side installation.
 Use Front Mounting Bracket **[A]** instead of **[C]**;
 Use Center Mounting Bracket **[B]** instead of **[D]**;
 Use Rear Mounting Bracket **[B]** instead of **[D]**.



STEP 4

Level and straighten TYGER Riser, then tighten all fasteners. At this point, installation is complete. Do periodic inspections of the installation to make sure that all hardware is secure and tight.



Complete Installation