



# RISER®

TG-RS6T62598

## BEFORE INSTALLATION

READ INSTRUCTIONS CAREFULLY BEFORE STARTING INSTALLATION. REMOVE CONTENTS FROM BOX AND VERIFY ALL PARTS ARE PRESENT. FAILURE TO IDENTIFY DAMAGE BEFORE INSTALLATION COULD LEAD TO A REJECTION OF ANY CLAIM. IF MISSING PARTS OR ANY DAMAGE FOUND, PLEASE TAKE A PICTURE FOR THE CLAIM PURPOSE. TO FILE YOUR CLAIM, PLEASE VISIT: [WWW.TYGERAUTO.COM/CONTACT](http://WWW.TYGERAUTO.COM/CONTACT)

## TORQUE VALUES

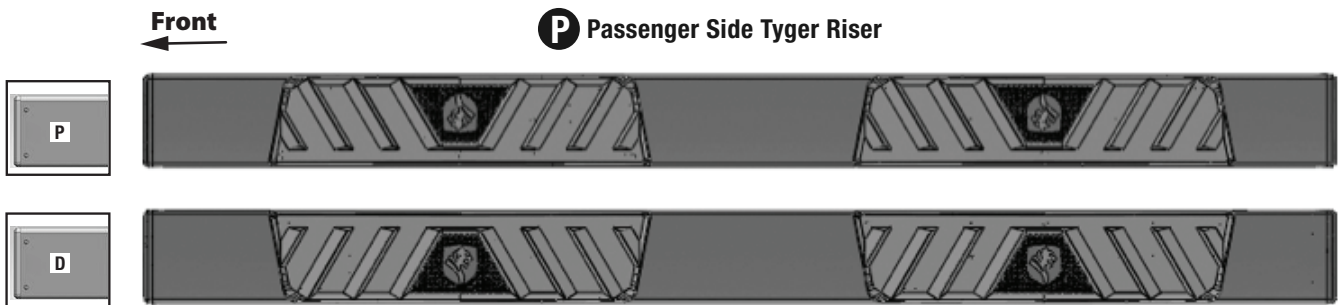
Fastener Size	Class 8.8 Torque (ft-lbs)	Class 10.9 Torque (ft-lbs)
6mm	6-7	6-7
8mm	15-16	22-23
10mm	31-32	44-45
12mm	54-55	78-79
14mm	87-88	125-126

- x1** Passenger/Right Tyger Riser **P**
- x1** Driver/Left Tyger Riser **D**
- x1** Passenger Side Front Mounting Bracket **[C]**
- x1** Driver Side Front Mounting Bracket **[A]**
- x3** Driver Side Center and Rear Mounting Brackets **[B]**
- x3** Passenger Side Center and Rear Mounting Brackets **[D]**
- x16** 8-1.25mm x 30mm Hex Bolts
- x16** 8mm Lock Washers
- x16** 8mm x 24mm x 2mm Flat Washers
- x16** 8-1.25mm x 25mm Combination Bolts

[Parts List](#)

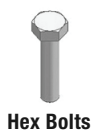
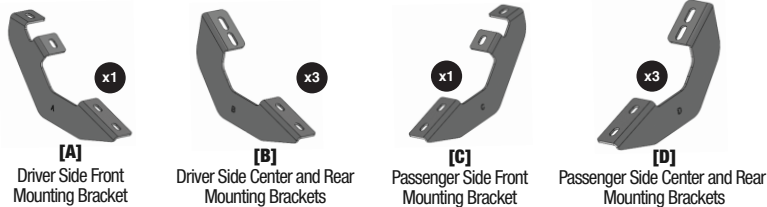
## Top View

**ATTENTION:** Refer to **D** and **P** labelling on the side of the tubes to determine Driver and Passenger Tyger Riser



Front

### **D** Driver Side Tyger Riser



**x16** 8-1.25mm x 30mm Hex Bolts



**x16** 8mm x 24mm x 2mm Flat Washers

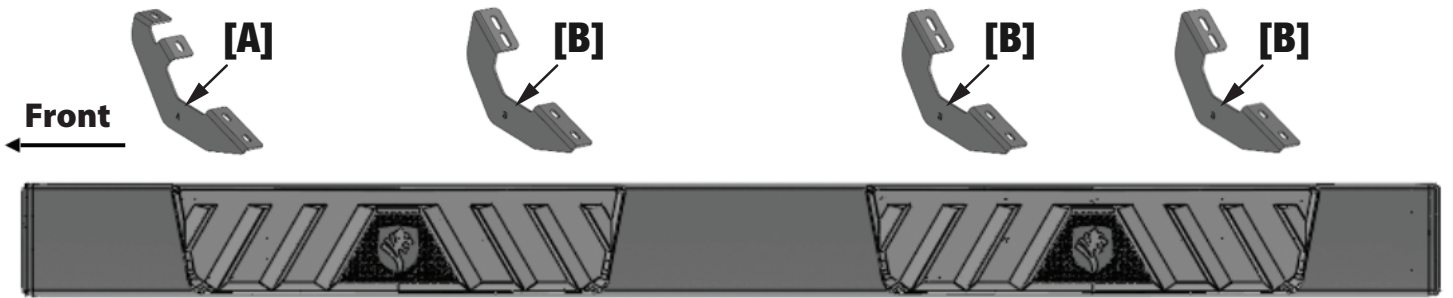


**x16** 8mm Lock Washers

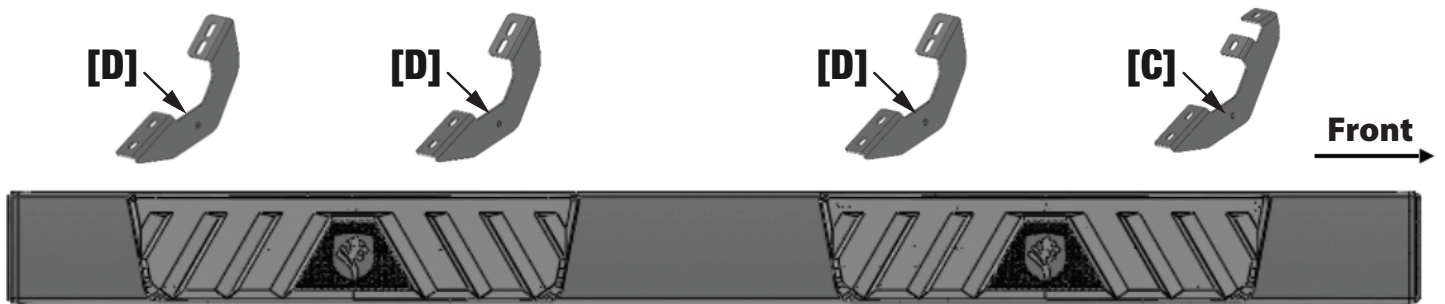


**x16** 8-1.25mm x 25mm Combination Bolts

Reference the letters printed on the brackets to determine mounting locations

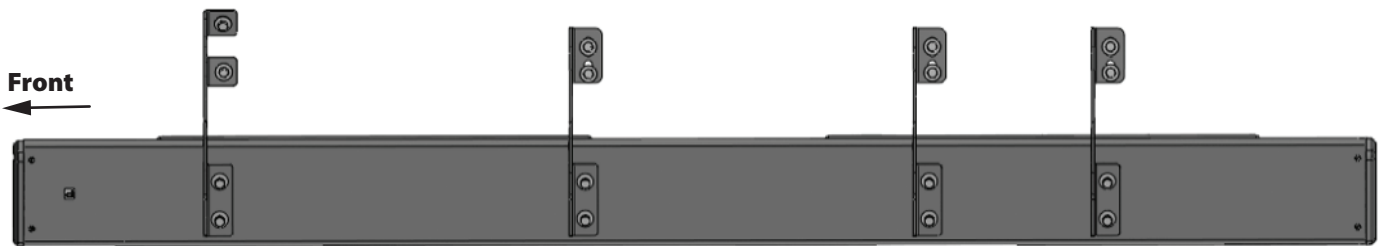


**D** Driver Side Riser

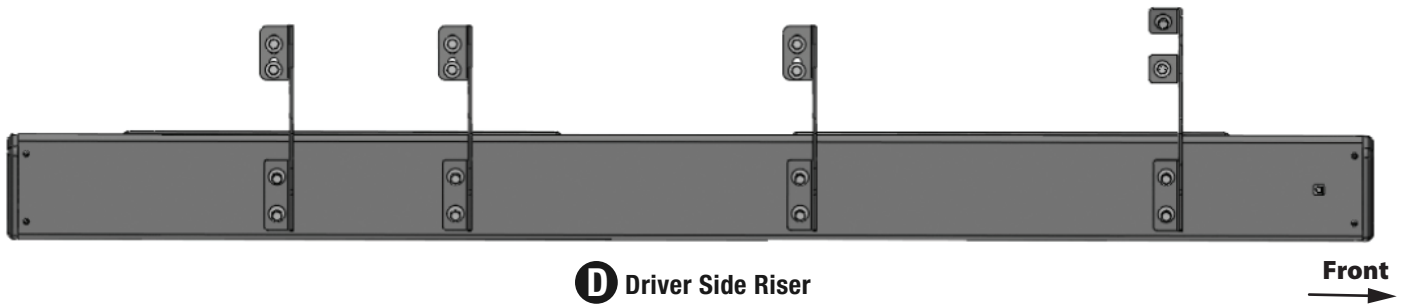


**P** Passenger Side Riser

**Bottom View**

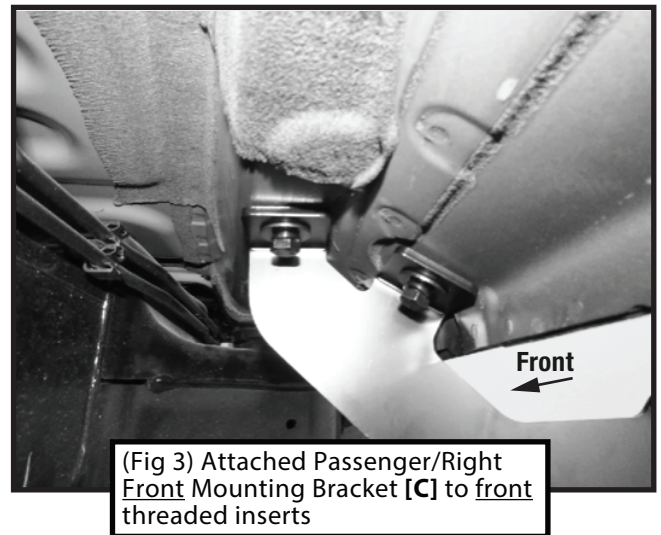
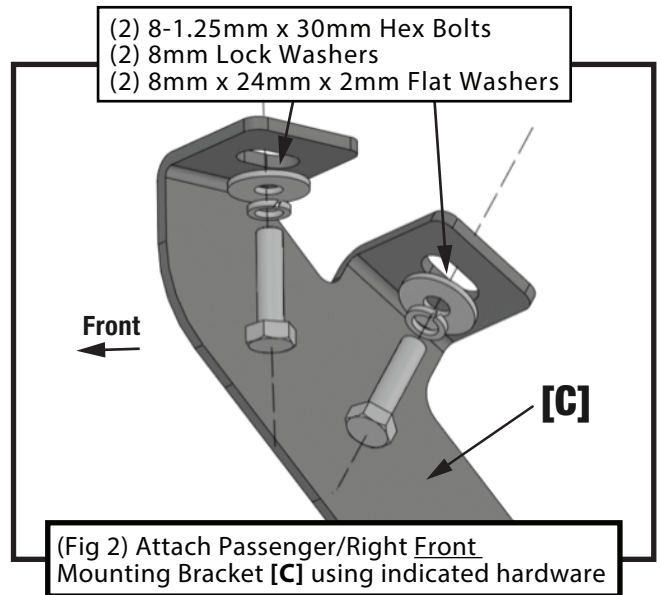
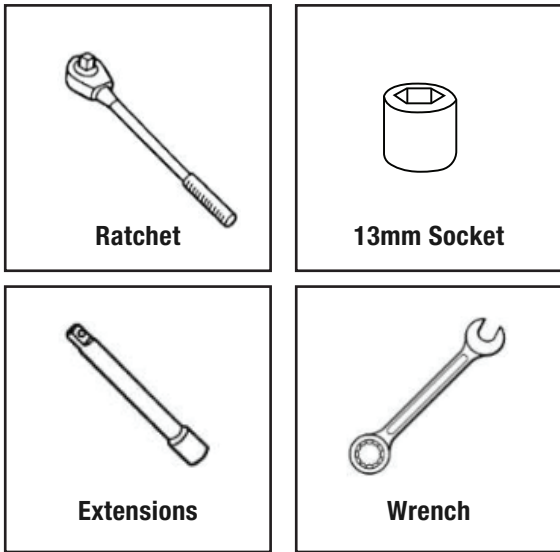


**P** Passenger Side Riser



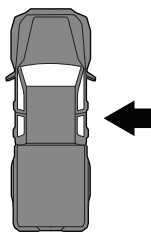
**D** Driver Side Riser

## TOOLS REQUIRED

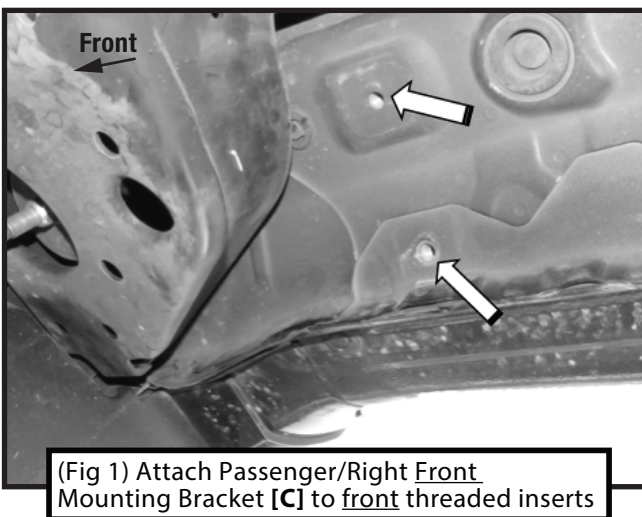


## STEP 1 MOUNTING BRACKETS

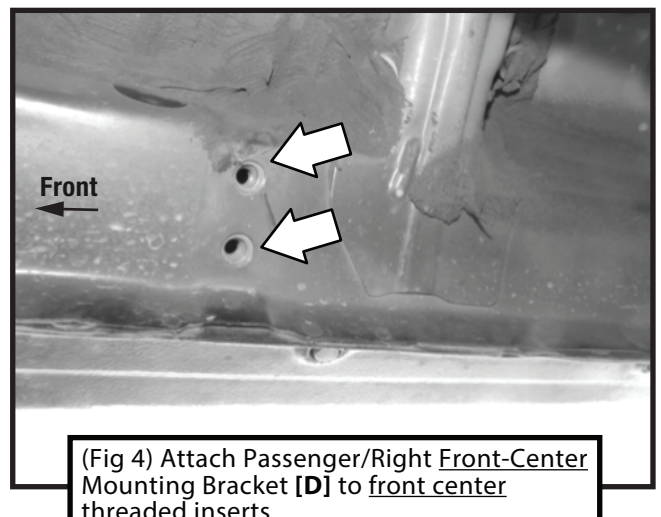
Follow (Fig 1 – 10) to attach the Mounting Brackets to the Passenger/Right Side.



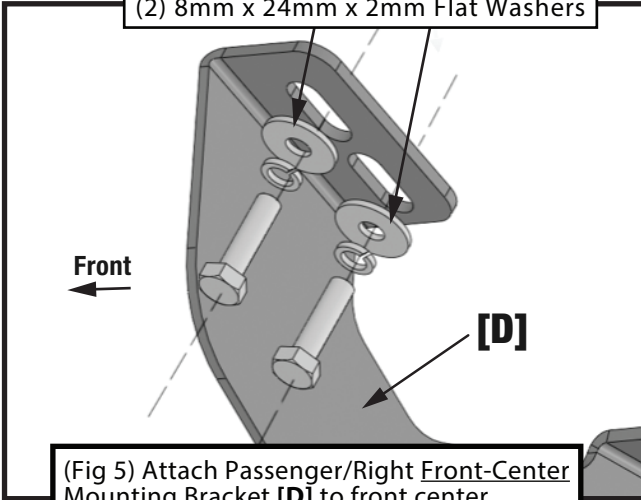
### Passenger-side Front Mounting Area



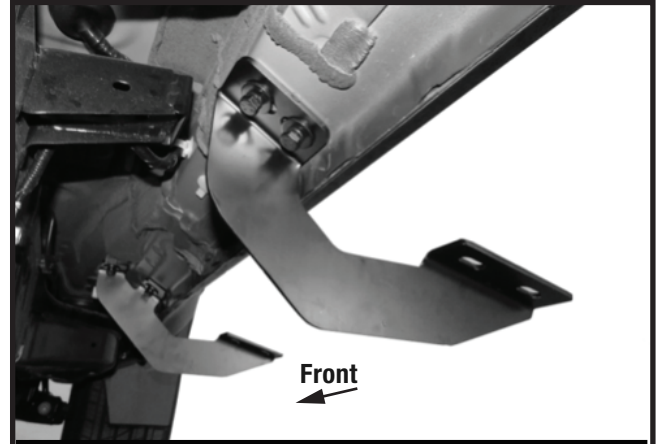
### Passenger-side Front-Center Mounting Area



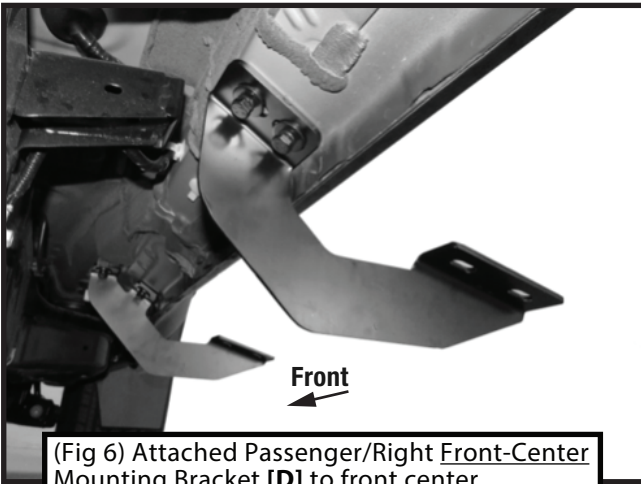
- (2) 8-1.25mm x 30mm Hex Bolts
- (2) 8mm Lock Washers
- (2) 8mm x 24mm x 2mm Flat Washers



(Fig 5) Attach Passenger/Right Front-Center Mounting Bracket [D] to front center threaded inserts

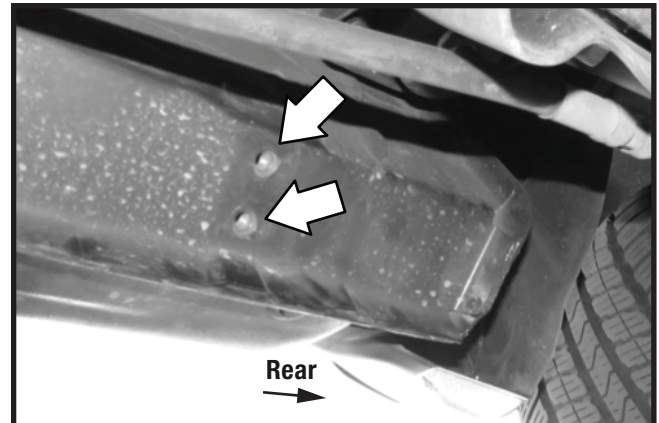


(Fig 8) Attached Passenger/Right Rear-Center Mounting Bracket [D] to rear center threaded inserts



(Fig 6) Attached Passenger/Right Front-Center Mounting Bracket [D] to front center threaded inserts

📍 Passenger-side Rear Mounting Area

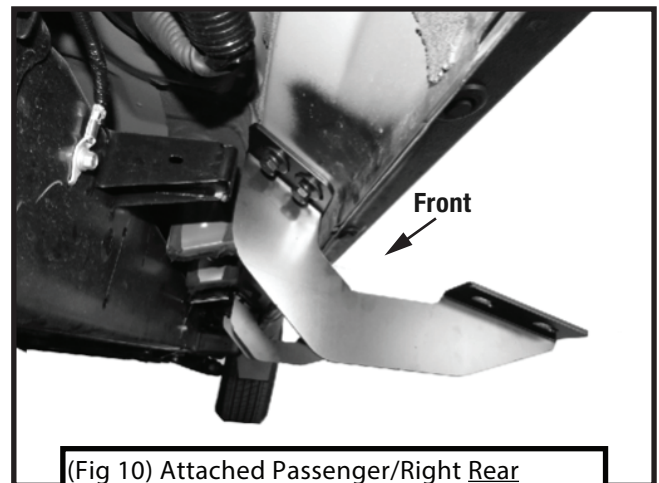


(Fig 9) Attach Passenger/Right Rear Mounting Bracket [D] to rear threaded inserts (Refer to Fig 5)

📍 Passenger-side Rear-Center Mounting Area



(Fig 7) Attach Passenger/Right Rear-Center Mounting Bracket [D] to rear center threaded inserts (Refer to Fig 5)

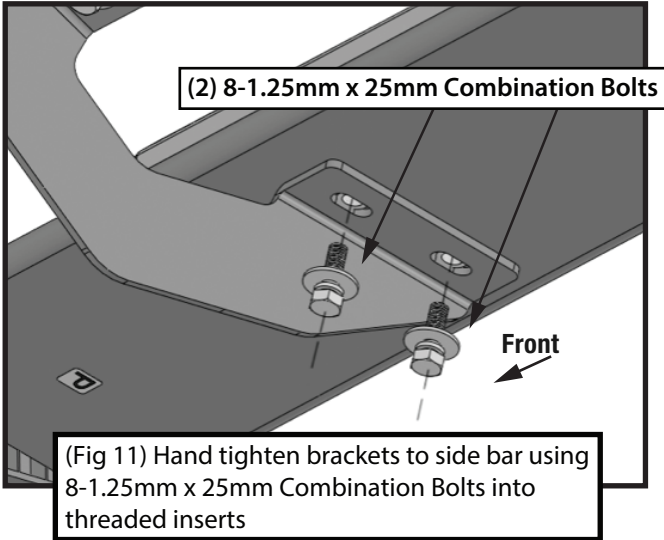


(Fig 10) Attached Passenger/Right Rear Mounting Bracket [D] to rear threaded inserts



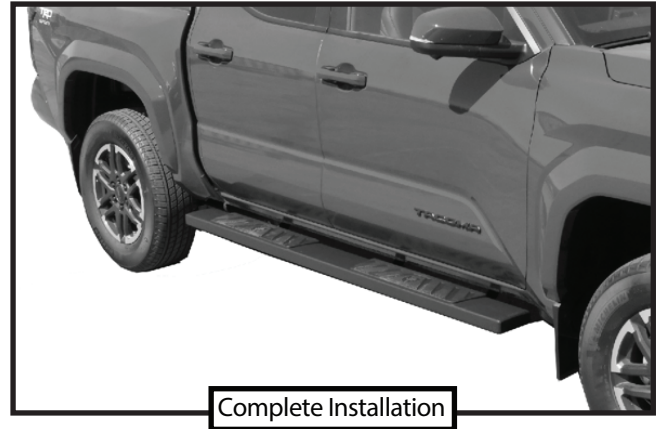
## STEP 2 MOUNTING RUNNING BOARD

Follow (Fig 11) to install the passenger-side running board.



## STEP 4

Installation is complete. Do periodic inspections to the installation to make sure that all hardware is secure and tight.



## STEP 3 DRIVER SIDE

Repeat **STEPS 1-2** for driver side installation.  
 Use Front Mounting Bracket **[A]** instead of **[C]**;  
 Use Front-Center Mounting Bracket **[B]** instead of **[D]**;  
 Use Rear-Center Mounting Bracket **[B]** instead of **[D]**;  
 Use Rear Mounting Bracket **[B]** instead of **[D]**.

