



STAR STRIDER®

TG-SR2C74988

BEFORE INSTALLATION

READ INSTRUCTIONS CAREFULLY BEFORE STARTING INSTALLATION. REMOVE CONTENTS FROM BOX AND VERIFY ALL PARTS ARE PRESENT. FAILURE TO IDENTIFY DAMAGE BEFORE INSTALLATION COULD LEAD TO A REJECTION OF ANY CLAIM. IF MISSING PARTS OR ANY DAMAGE FOUND, PLEASE TAKE A PICTURE FOR THE CLAIM PURPOSE. TO FILE YOUR CLAIM, PLEASE VISIT: WWW.TYGERAUTO.COM/CONTACT

TORQUE VALUES

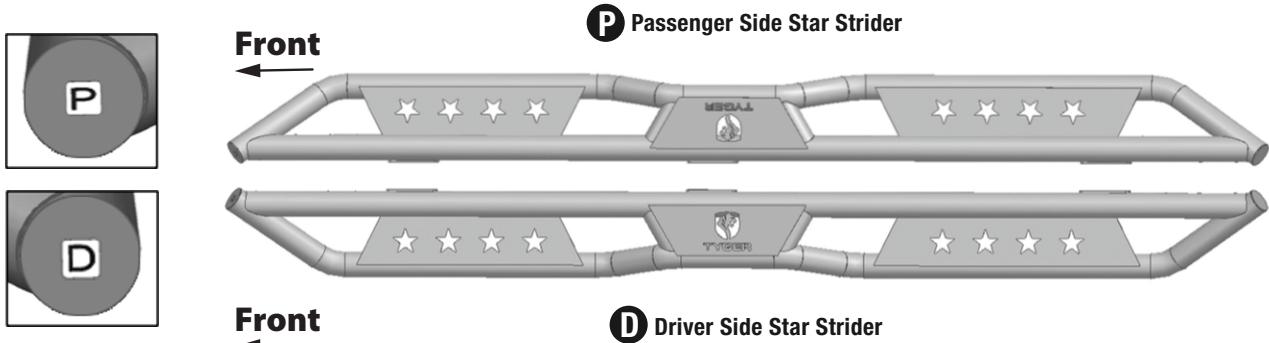
Fastener Size	Class 8.8 Torque (ft-lbs)	Class 10.9 Torque (ft-lbs)
6mm	6-7	6-7
8mm	15-16	22-23
10mm	31-32	44-45
12mm	54-55	78-79
14mm	87-88	125-126

- x1** Driver Side Star Strider **D**
- x1** Passenger Side Star Strider **P**
- x3** Bracket **[A]**
- x2** Bracket **[B]**
- x1** Bracket **[C]**
- x1** Passenger Side Support Bracket **[D]**
- x13** 8mm Nylon Lock Nut
- x13** 8-1.25mm x 25mm Hex Bolts
- x26** 8mm x 24mm x 2mm Flat Washers
- x13** 8mm Lock Washers
- x11** 8mm Clip Nuts
- x6** 8mm Double Bolt Plates

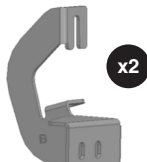
Parts List

Top View

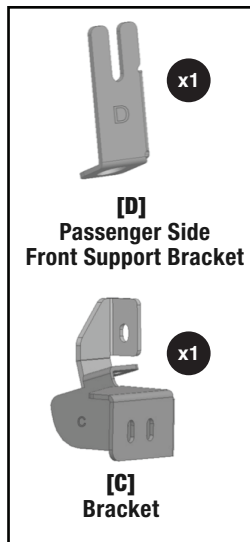
ATTENTION: Refer to **D** and **P** labelling on the side of the tubes to determine Driver and Passenger Star Striders



[A]
Bracket



[B]
Bracket

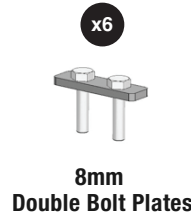


[D]
Passenger Side
Front Support Bracket

[C]
Bracket



x13
8mm x 25mm
Hex Bolts



x6
8mm
Double Bolt Plates



x13
8mm
Lock Washers



x13
8mm
Nylon Lock Nuts

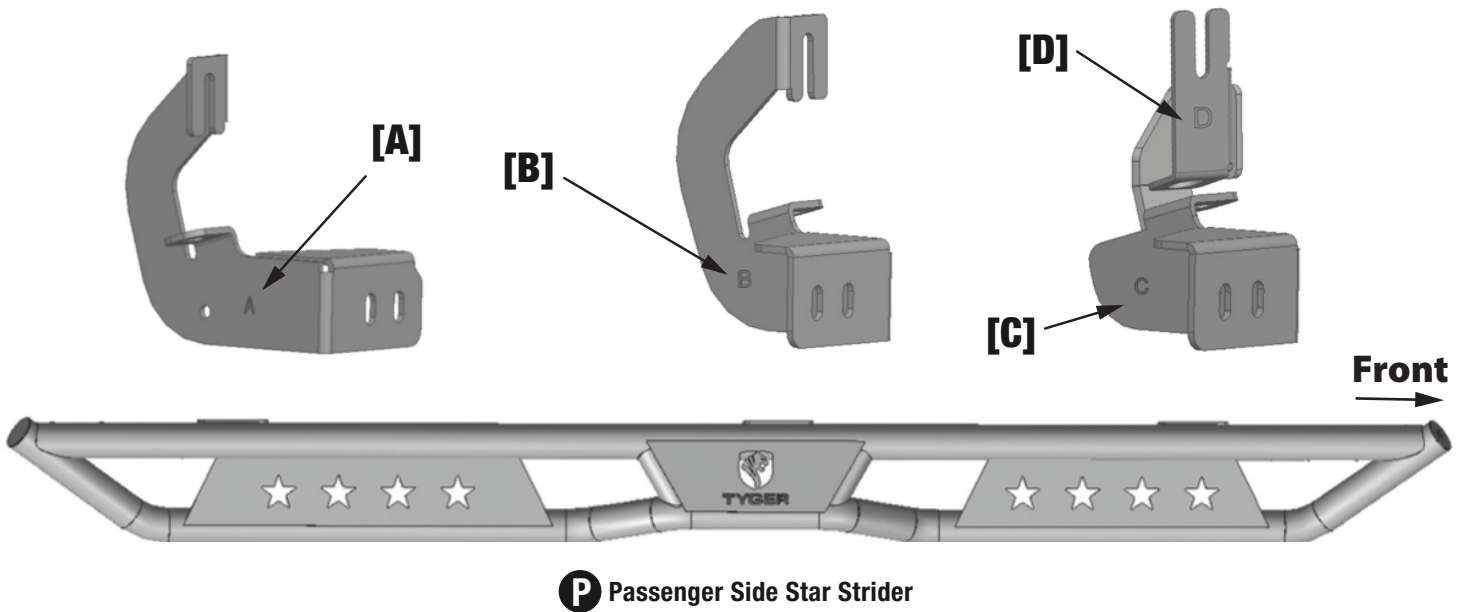
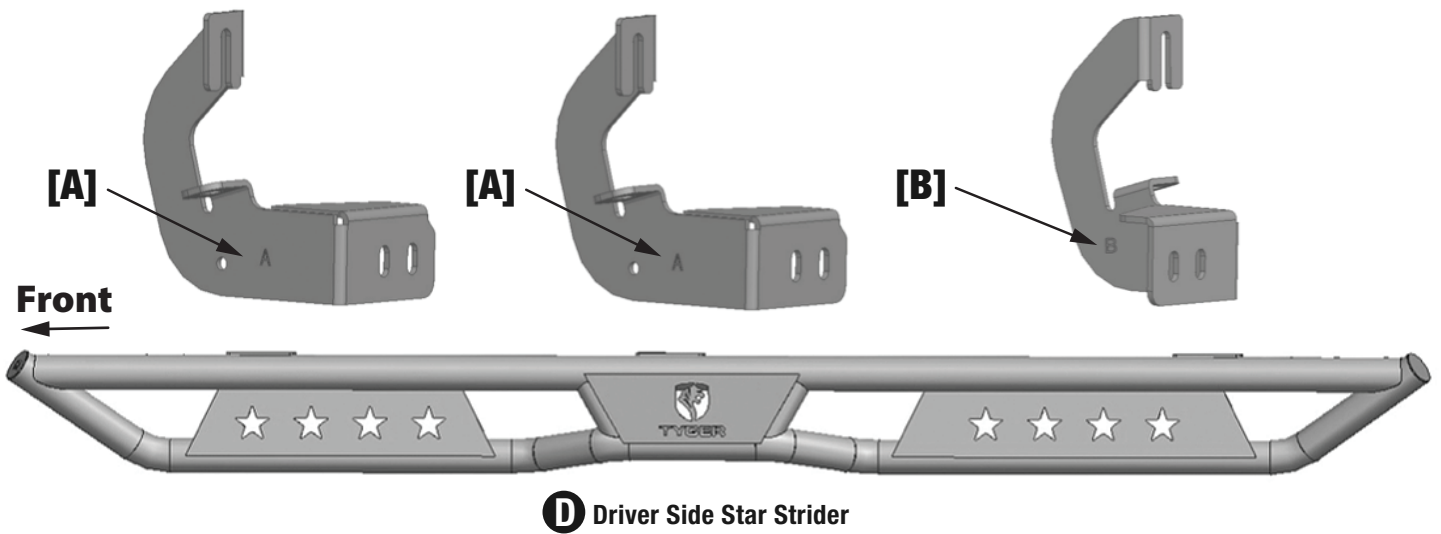


x26
8mm x 24mm x 2mm
Flat Washers

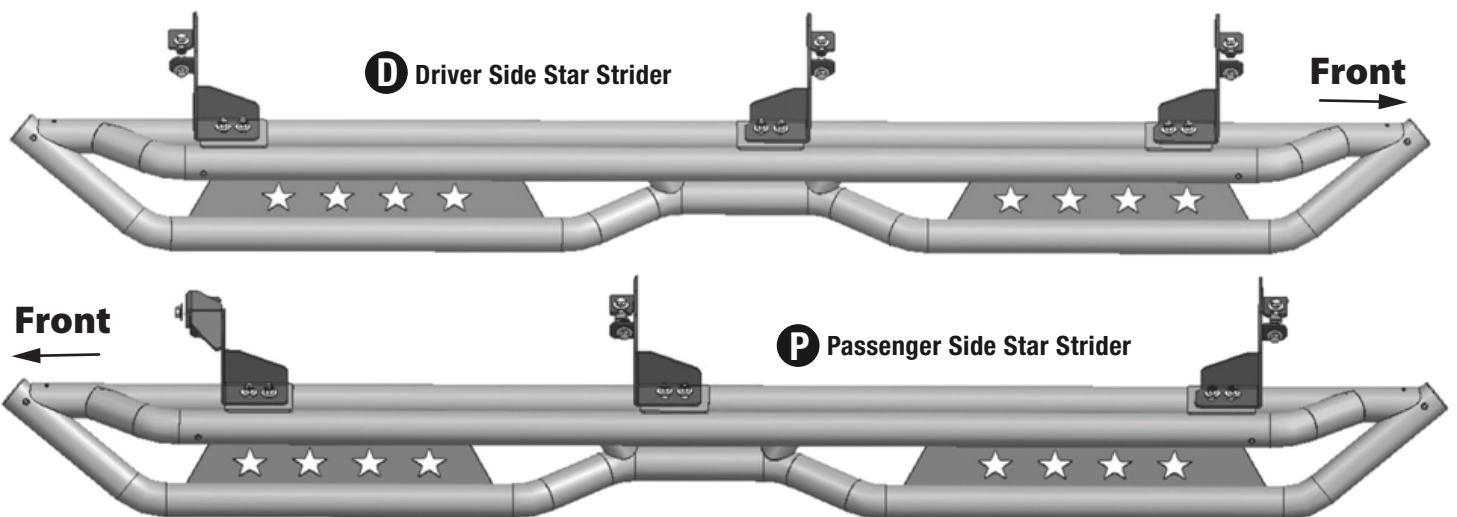


x11
8mm Clip Nut

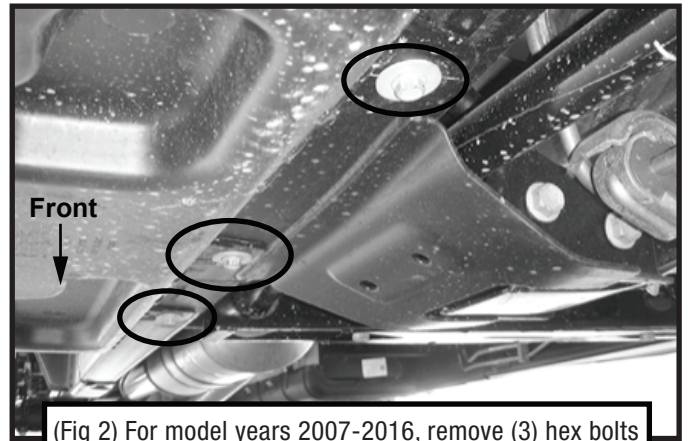
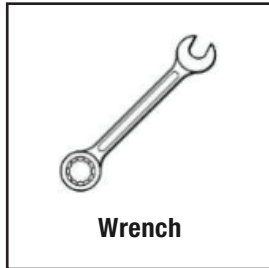
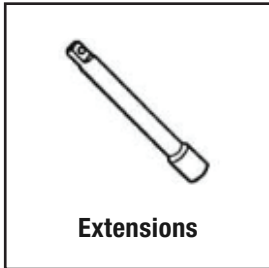
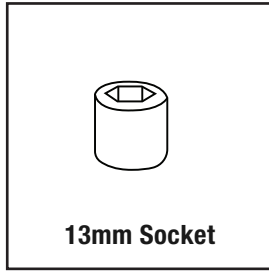
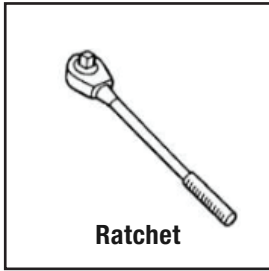
Reference the letters printed on the brackets to determine mounting locations



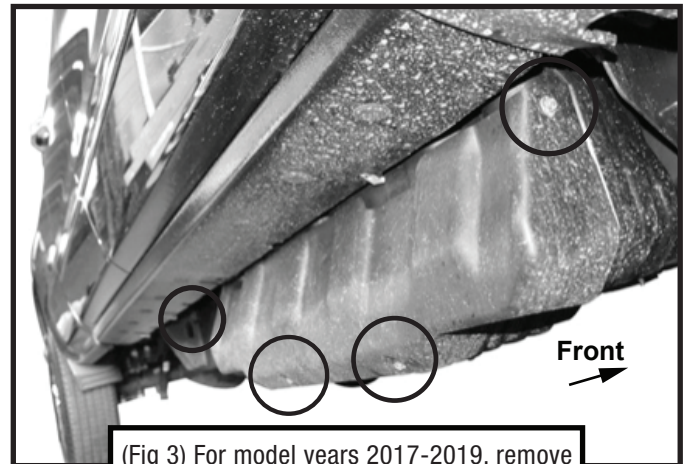
Bottom View



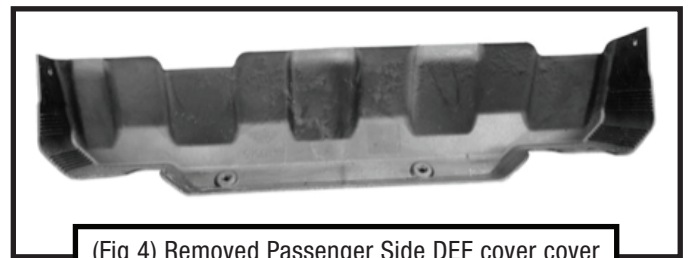
TOOLS REQUIRED



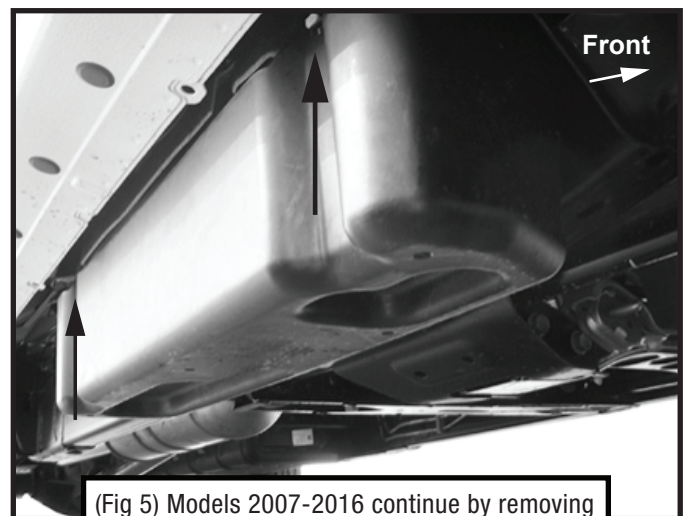
(Fig 2) For model years 2007-2016, remove (3) hex bolts underneath vehicle to remove DEF tank cover



(Fig 3) For model years 2017-2019, remove (4) hex bolts to remove plastic DEF cover



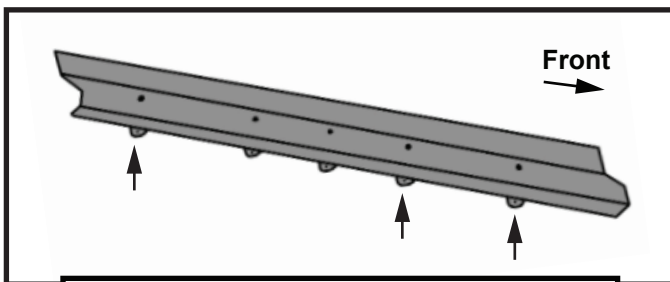
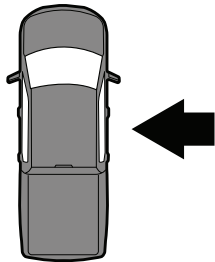
(Fig 4) Removed Passenger Side DEF cover cover



(Fig 5) Models 2007-2016 continue by removing (2) hex bolts to remove tank straps

STEP 1 MOUNTING BRACKETS

Follow (Fig 1-24) to attach the brackets to the Passenger Side. (Fig 2-5) are related to models with a DEF Tank.



(Fig 1) Passenger/Right side (3) mounting locations

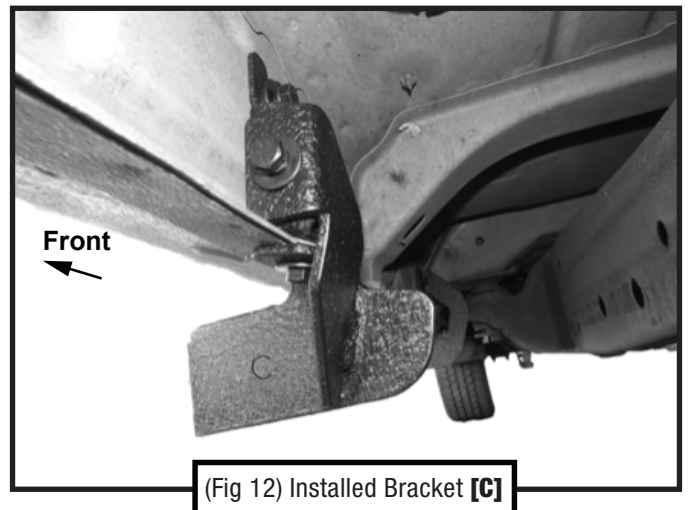
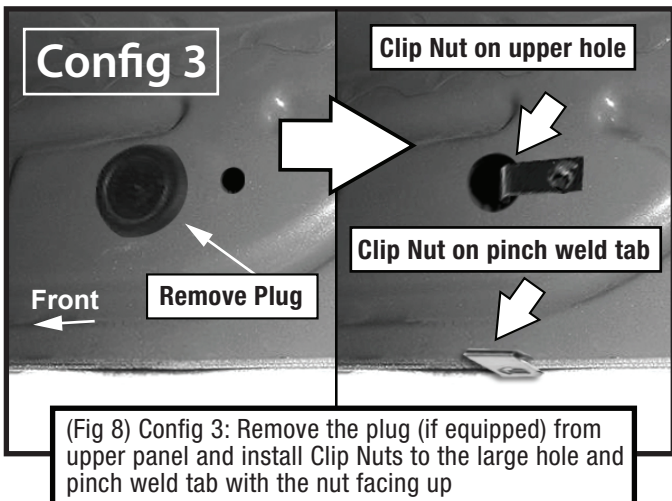
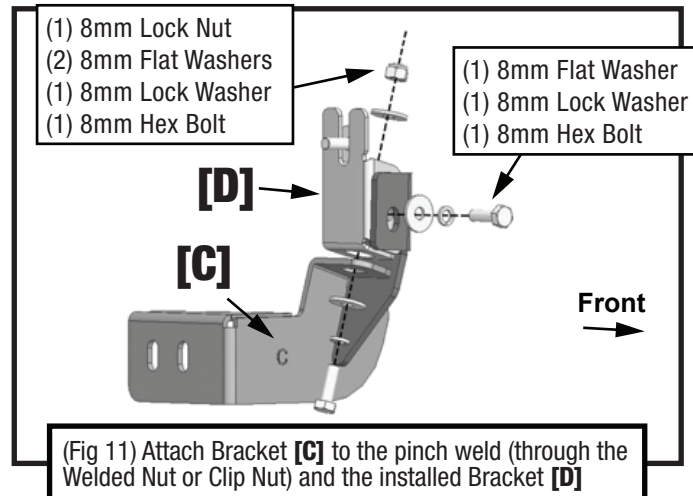
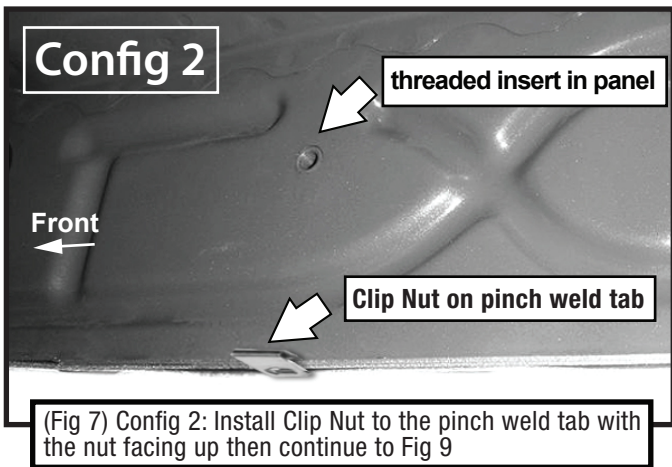
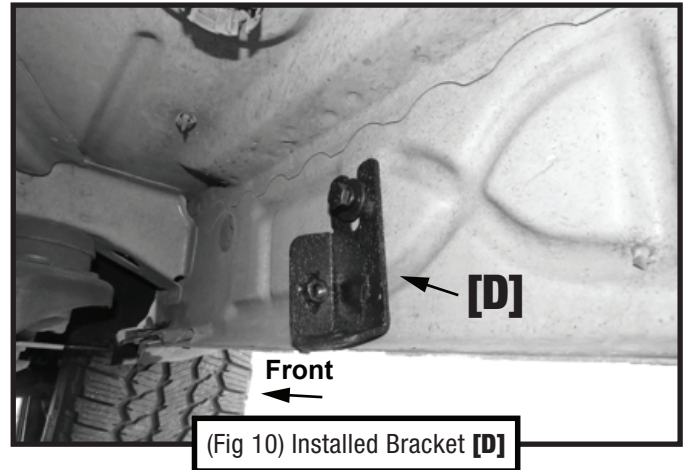
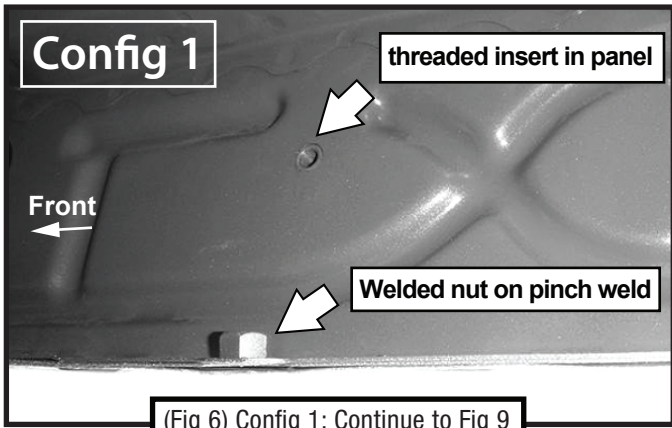
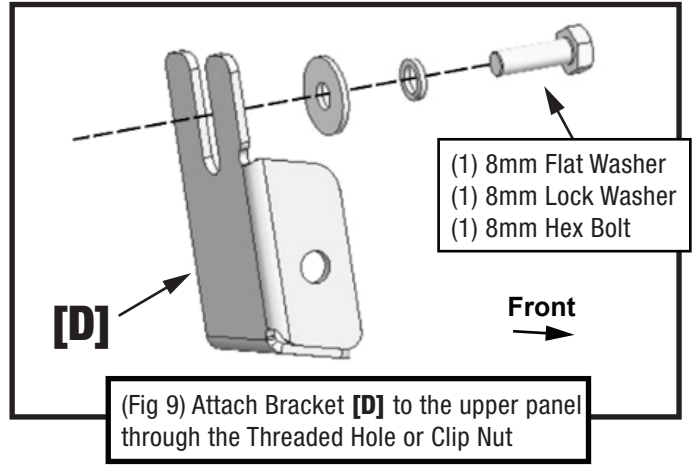


Passenger-side Front Mounting Area

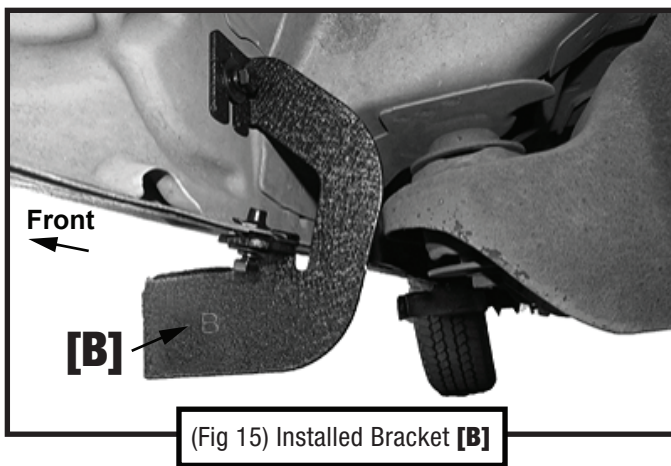
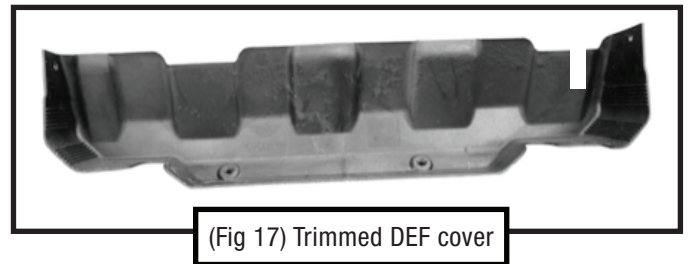
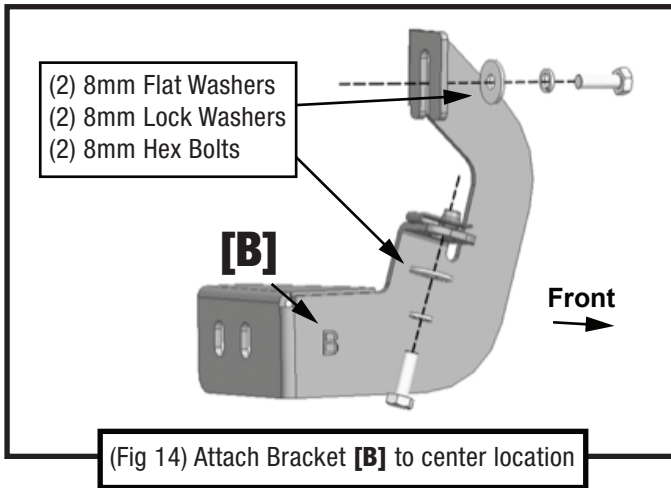
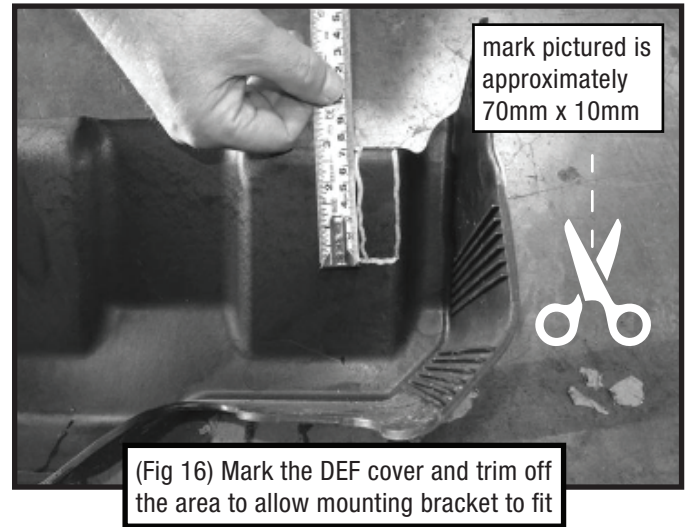
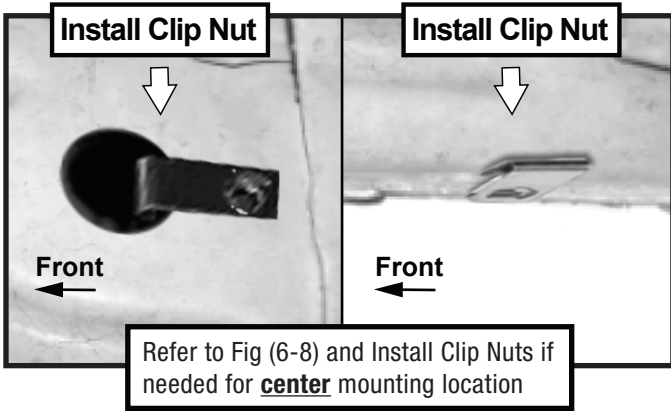
Note: Skip to **PAGE 4** if your vehicle does not have a DEF Tank

Verify which type of rocker panel configuration your vehicle has to see if **CLIP NUTS** are necessary (Fig 6-8).

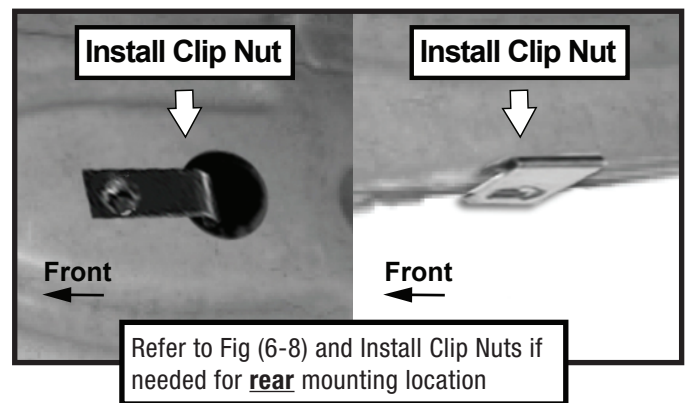
	UPPER PANEL	PINCH WELD
Config 1 (Fig 6)	with threaded insert	with welded nuts
Config 2 (Fig 7)	with threaded insert	flat tab with hole
Config 3 (Fig 8)	no threaded insert	flat tab with hole



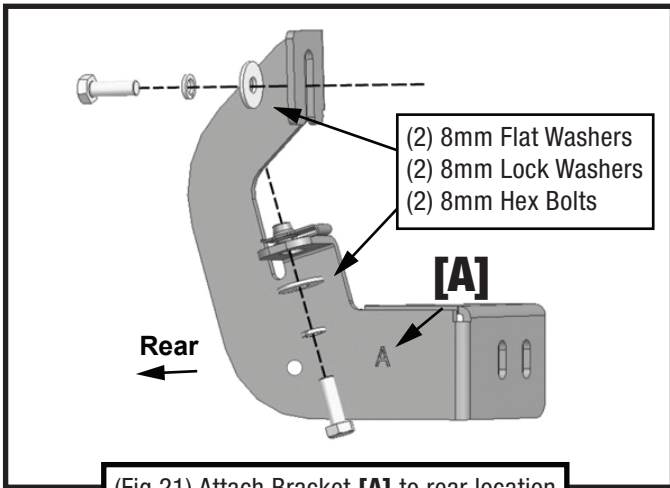
Passenger-side Center Mounting Area



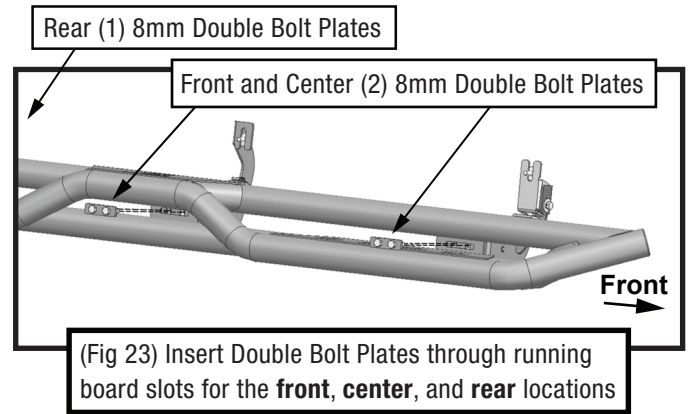
Passenger-side Rear Mounting Area



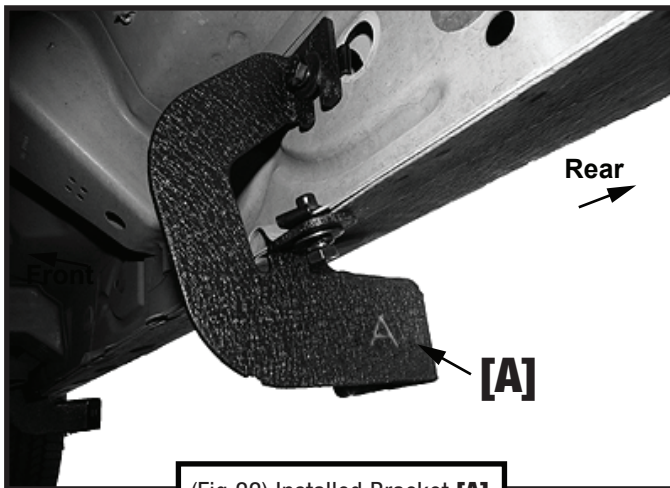
Note: For 2017-2018 2500/3500 owners with DEF tank, continue with (Figs 16 – 17). Otherwise, skip to (Fig 18).



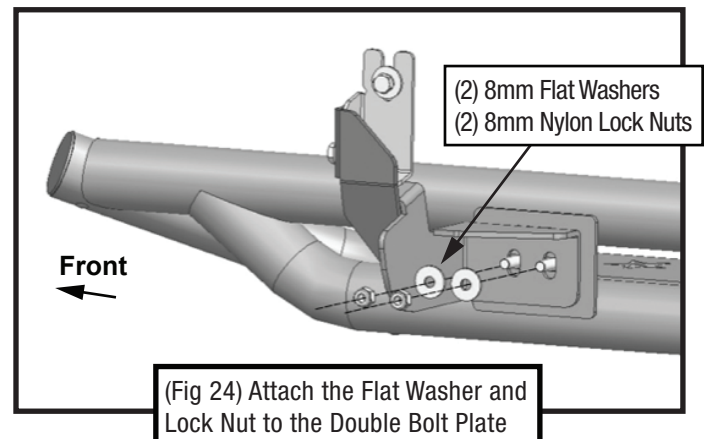
(Fig 21) Attach Bracket **[A]** to rear location



(Fig 23) Insert Double Bolt Plates through running board slots for the **front, center, and rear** locations



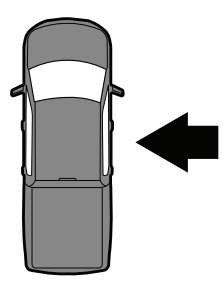
(Fig 22) Installed Bracket **[A]**



(Fig 24) Attach the Flat Washer and Lock Nut to the Double Bolt Plate

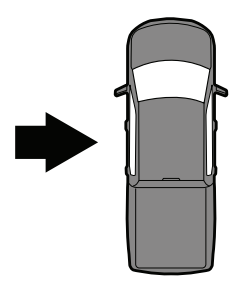
STEP 2 MOUNTING RUNNING BOARDS

Follow (Figs 23-24) to install the passenger-side running board. Then, if equipped, reinstall the trimmed DEF cover (Fig 17) to your vehicle.

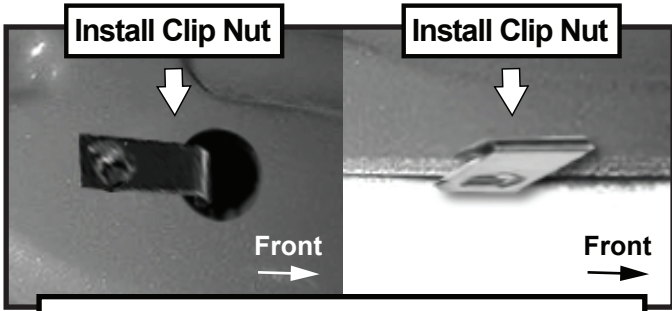


STEP 3 DRIVER SIDE

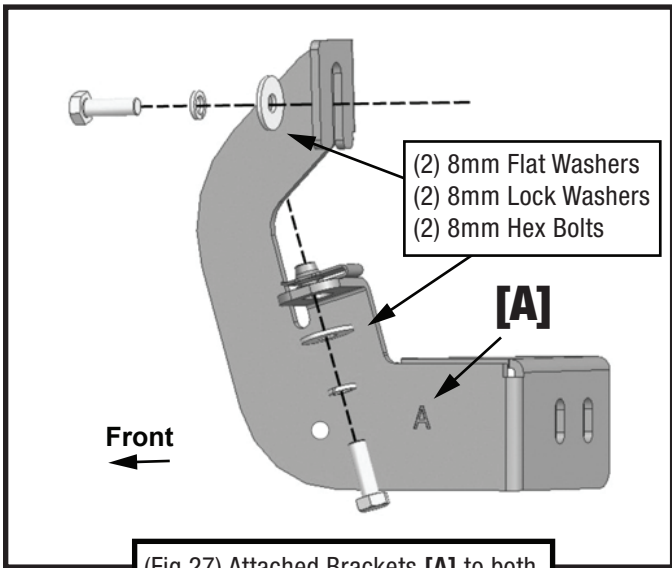
Repeat **STEPS 1-2** for driver side installation.
Front: Use Bracket **[A]** instead of **[C]** & **[D]**;
Center: Use Bracket **[A]** instead of **[B]**;
Rear: Use Bracket **[B]** instead of **[A]**.



Driver-side Front & Center Mounting Area

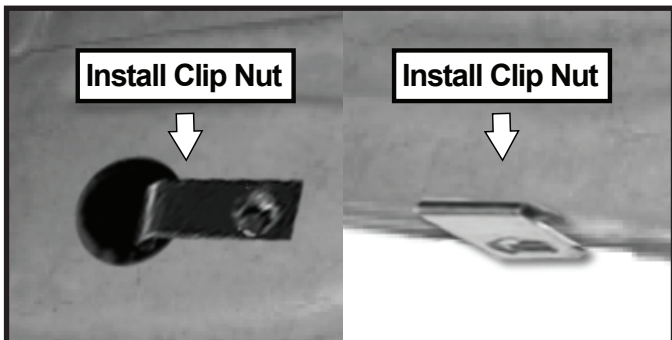


(Fig 25) Refer to Fig (6-8) and Install Clip Nuts if needed for driver-side **front & center** mounting locations

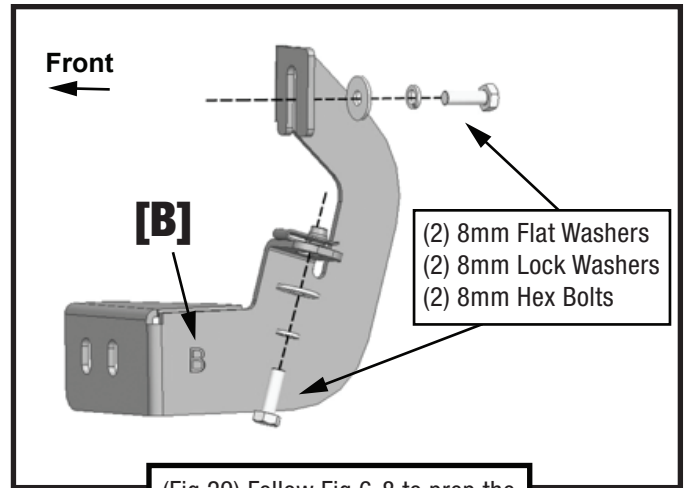


(Fig 27) Attached Brackets **[A]** to both driver-side front and center locations

Driver-side Rear Mounting Area



(Fig 25) Refer to Fig (6-8) and Install Clip Nuts if needed for driver-side **rear** mounting locations



(Fig 29) Follow Fig 6-8 to prep the driver-side rear mounting location

STEP 4

Installation is complete. Do periodic inspections to the installation to make sure that all hardware is secure and tight.



Complete Installation