



STAR STRIDER®

TG-SR2D74928

BEFORE INSTALLATION

READ INSTRUCTIONS CAREFULLY BEFORE STARTING INSTALLATION. REMOVE CONTENTS FROM BOX AND VERIFY ALL PARTS ARE PRESENT. FAILURE TO IDENTIFY DAMAGE BEFORE INSTALLATION COULD LEAD TO A REJECTION OF ANY CLAIM. IF MISSING PARTS OR ANY DAMAGE FOUND, PLEASE TAKE A PICTURE FOR THE CLAIM PURPOSE. TO FILE YOUR CLAIM, PLEASE VISIT: WWW.TYGERAUTO.COM/CONTACT

TORQUE VALUES

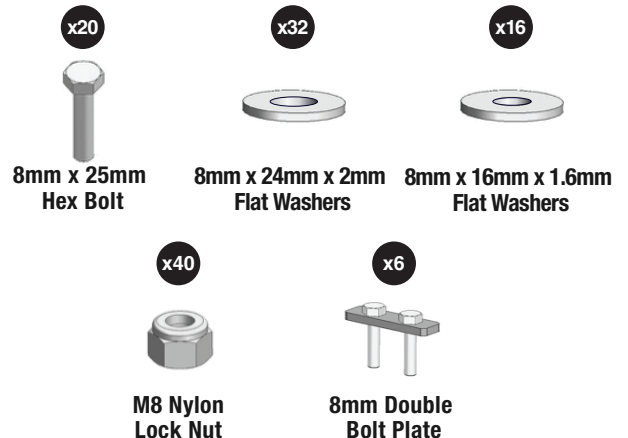
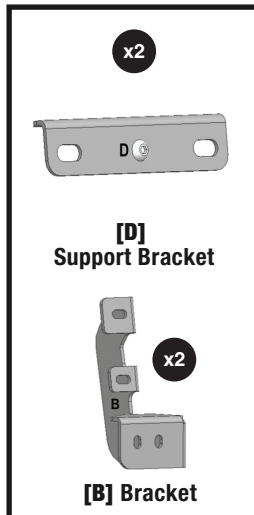
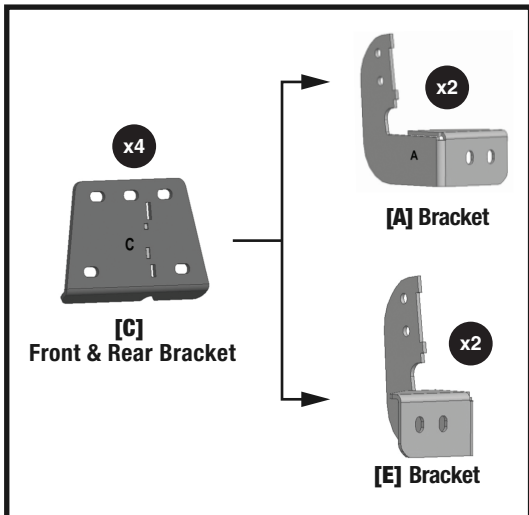
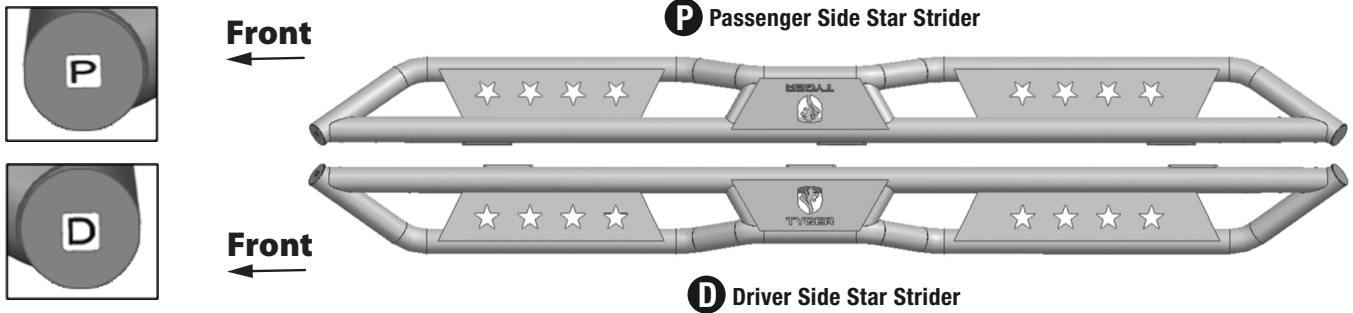
Fastener Size	Class 8.8 Torque (ft-lbs)	Class 10.9 Torque (ft-lbs)
6mm	6-7	6-7
8mm	15-16	22-23
10mm	31-32	44-45
12mm	54-55	78-79
14mm	87-88	125-126

- x1** Driver Side Star Strider **D**
- x1** Passenger Side Star Strider **P**
- x2** Bracket **[A]**
- x2** Bracket **[B]**
- x2** Bracket **[E]**
- x2** Support Bracket **[D]**
- x4** Front & Rear Bracket **[C]**
- x40** 8mm Nylon Lock Nut
- x8** 8-1.25mm x 25mm Hex Bolts
- x32** 8mm x 24mm x 2mm Flat Washers
- x16** 8mm x 16mm x 1.6mm Flat Washers
- x6** 8-1.25mm x 35mm Double Bolt Plates

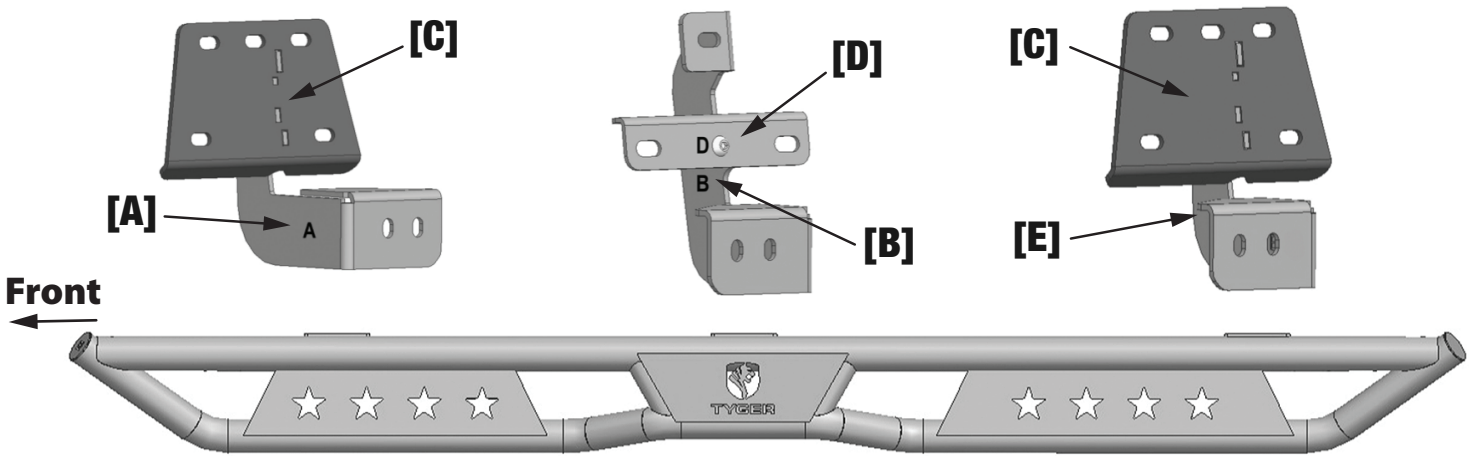
Parts List

Top View

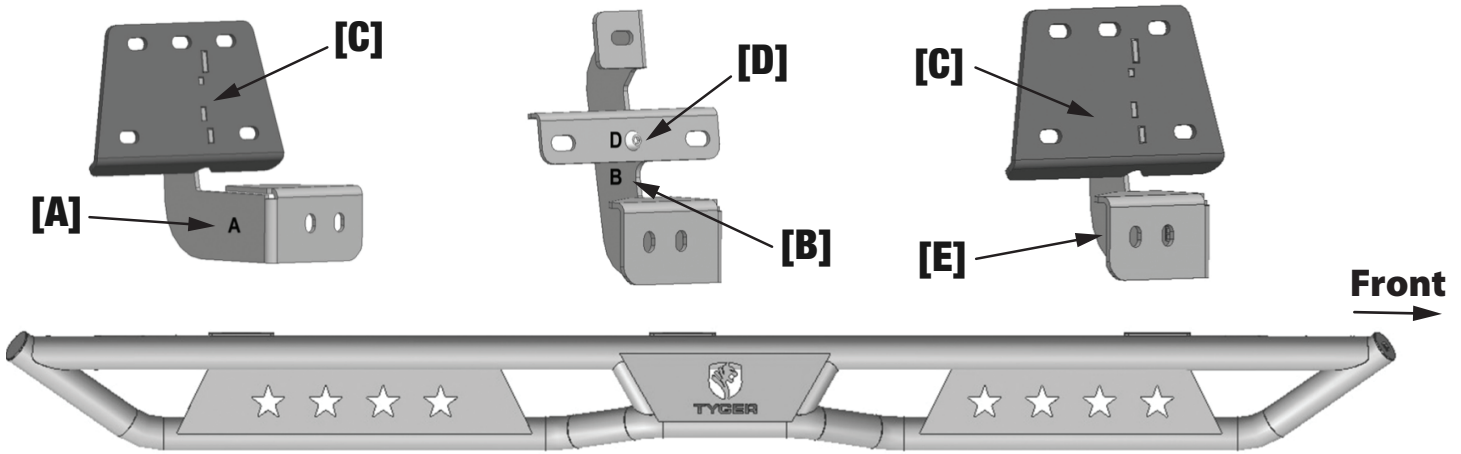
ATTENTION: Refer to **D** and **P** labelling on the side of the tubes to determine Driver and Passenger Star Striders



Reference the letters printed on the brackets to determine mounting locations

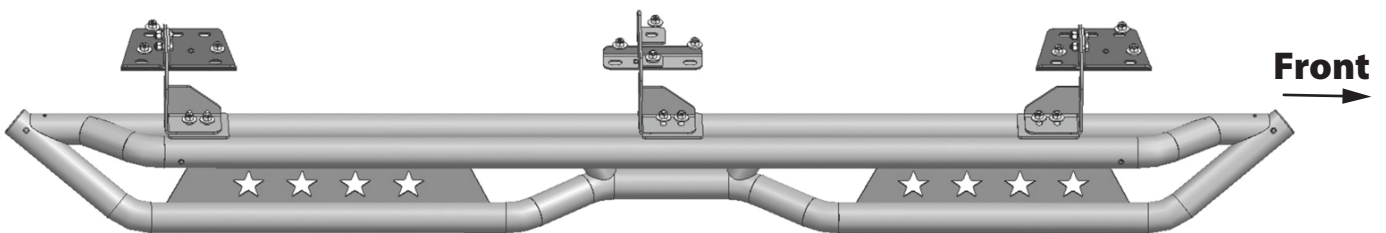


D Driver Side Star Strider

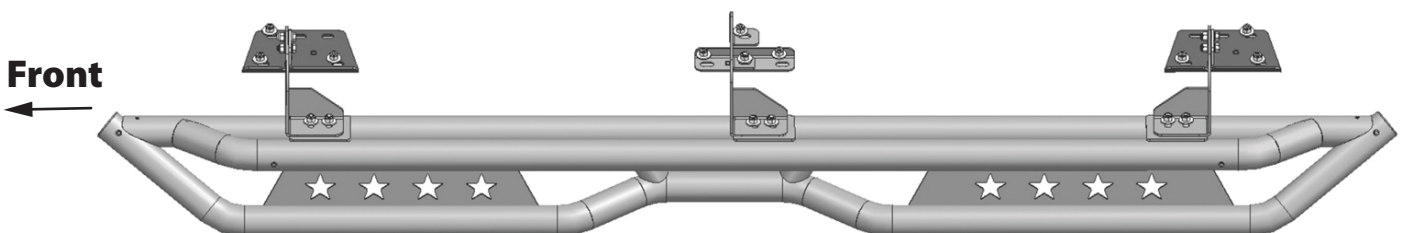


P Passenger Side Star Strider

Bottom View

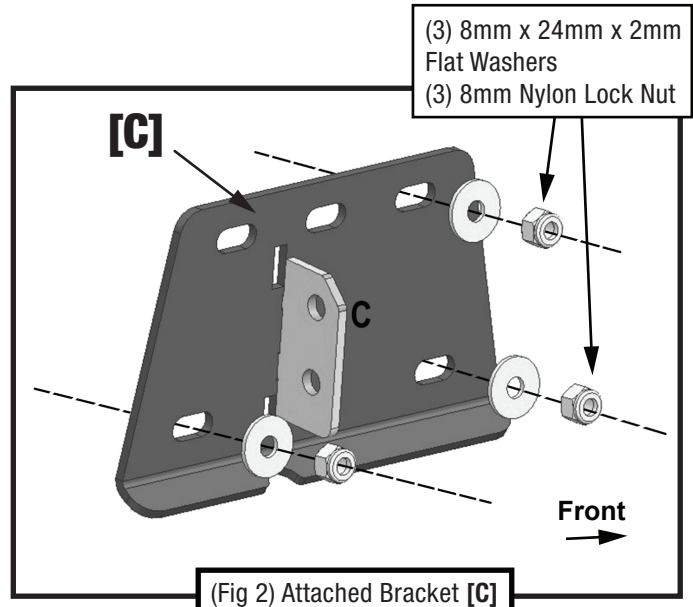
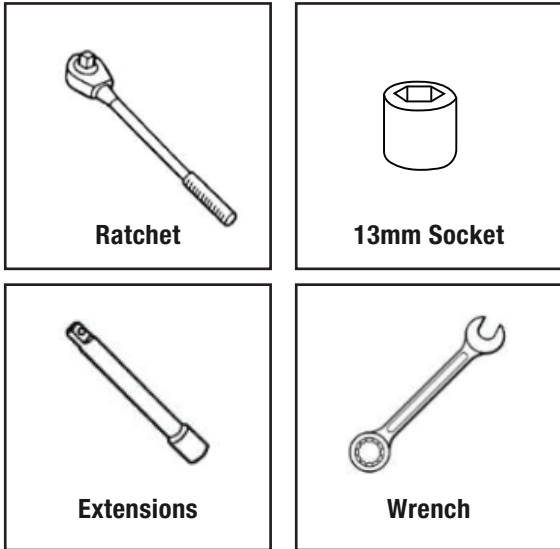


D Driver Side Star Strider



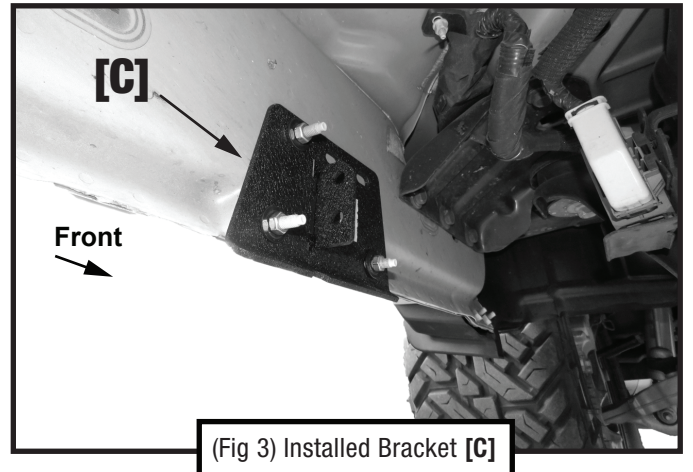
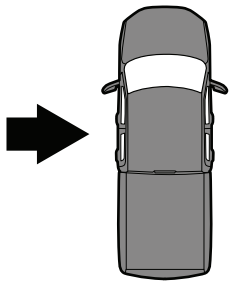
P Passenger Side Star Strider

TOOLS REQUIRED

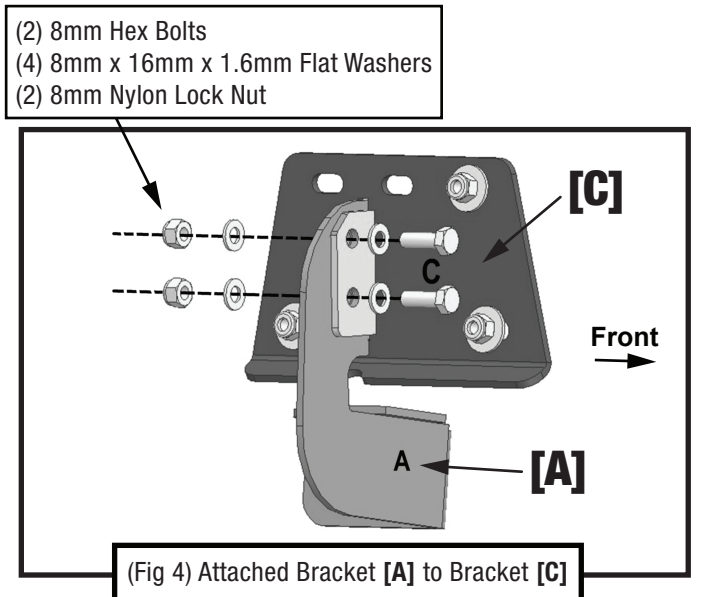
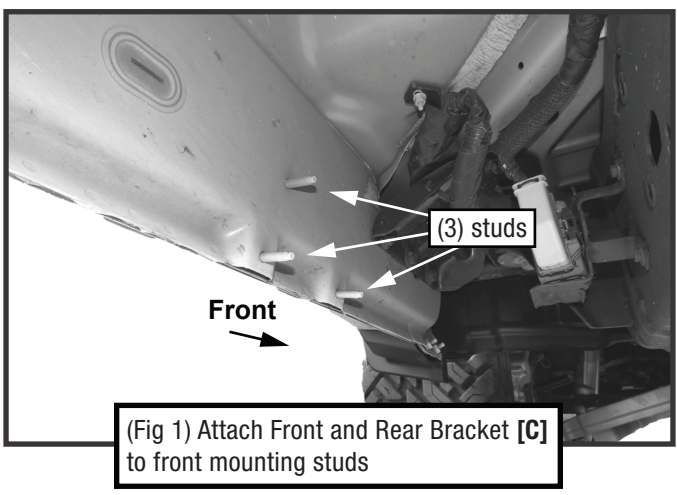


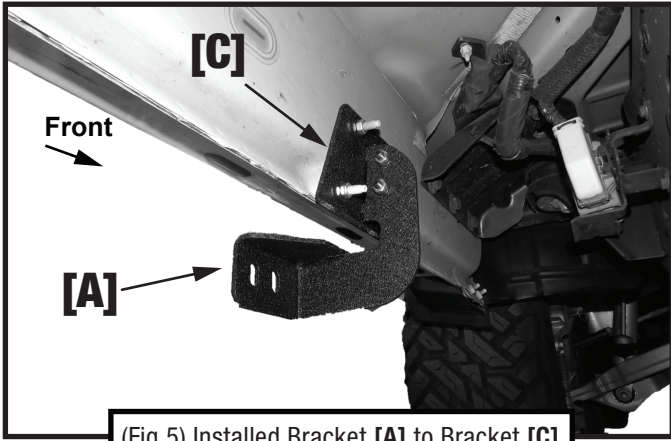
STEP 1 MOUNTING BRACKETS

Follow (Fig 1-15) to attach the brackets to the Driver Side.



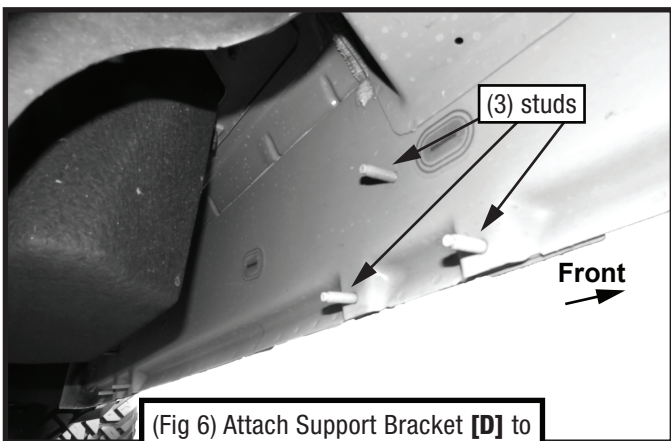
Driver-side Front Mounting Area



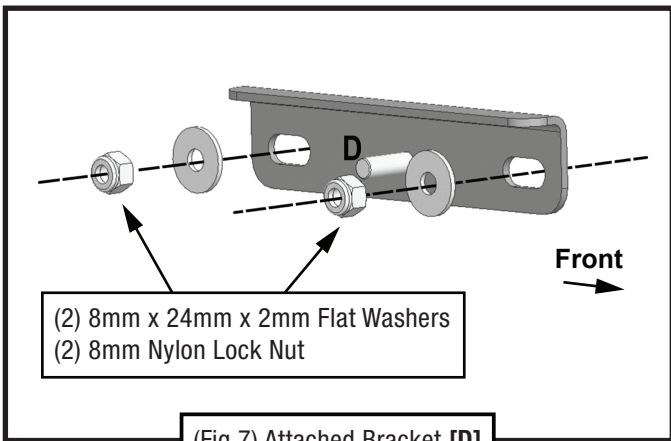


(Fig 5) Installed Bracket [A] to Bracket [C]

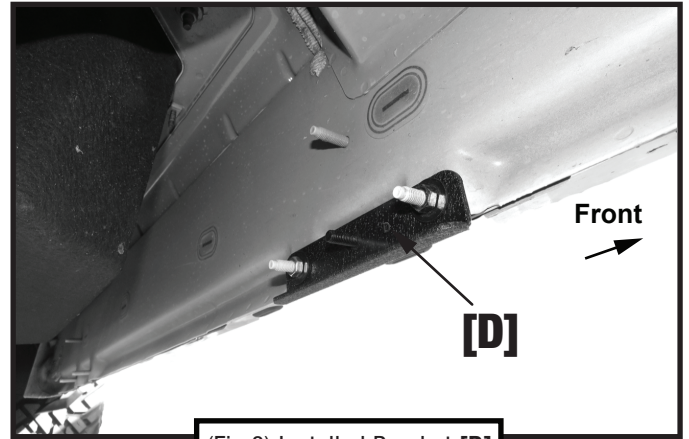
Driver-side Center Mounting Area



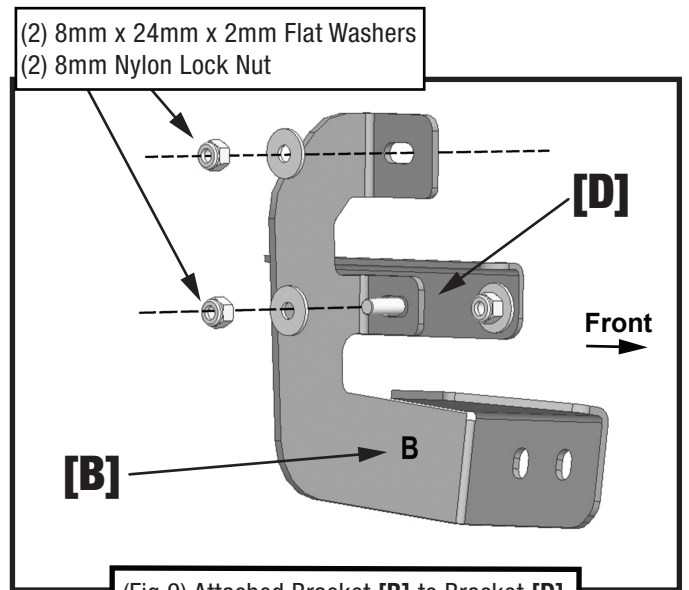
(Fig 6) Attach Support Bracket [D] to bottom center mounting studs



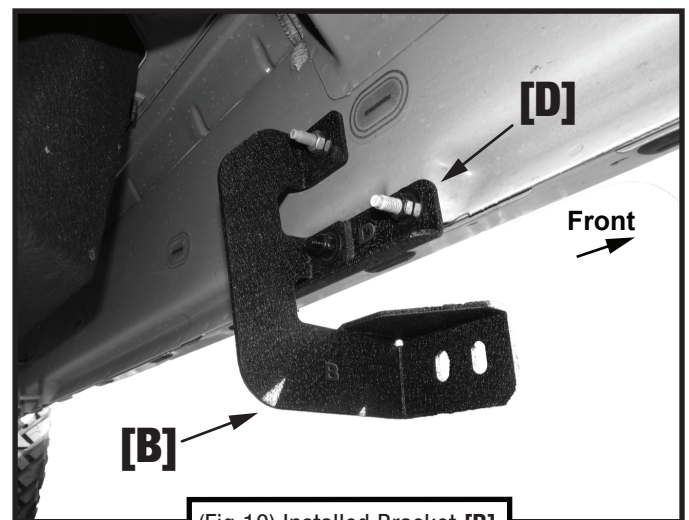
(Fig 7) Attached Bracket [D]



(Fig 8) Installed Bracket [D]

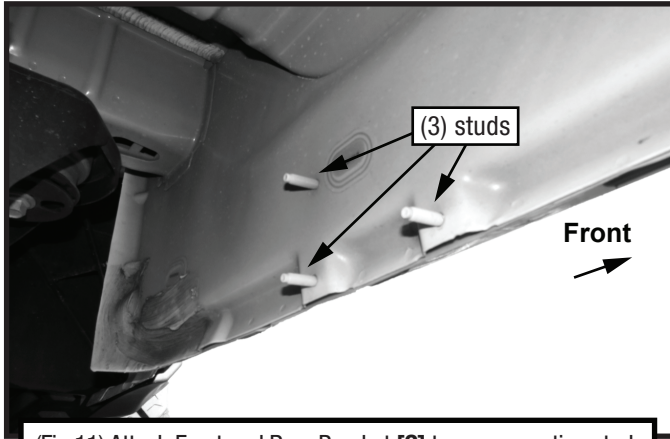


(Fig 9) Attached Bracket [B] to Bracket [D]

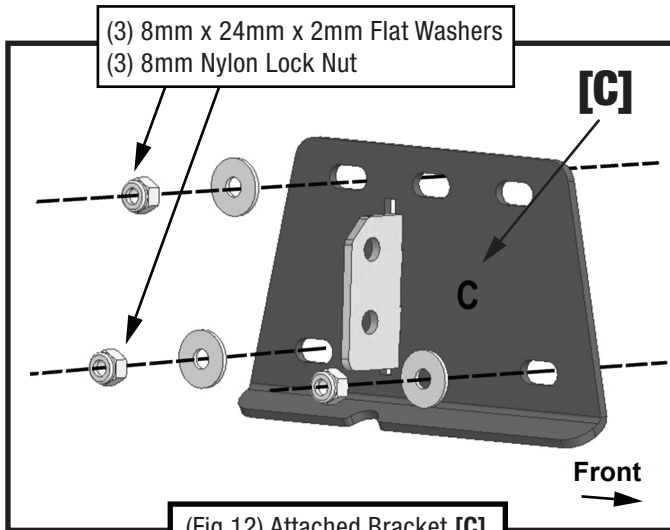


(Fig 10) Installed Bracket [B]

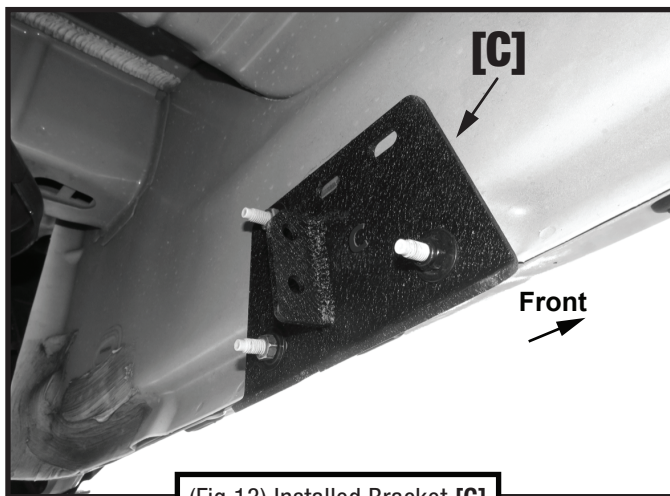
Driver-side Rear Mounting Area



(Fig 11) Attach Front and Rear Bracket [C] to rear mounting studs

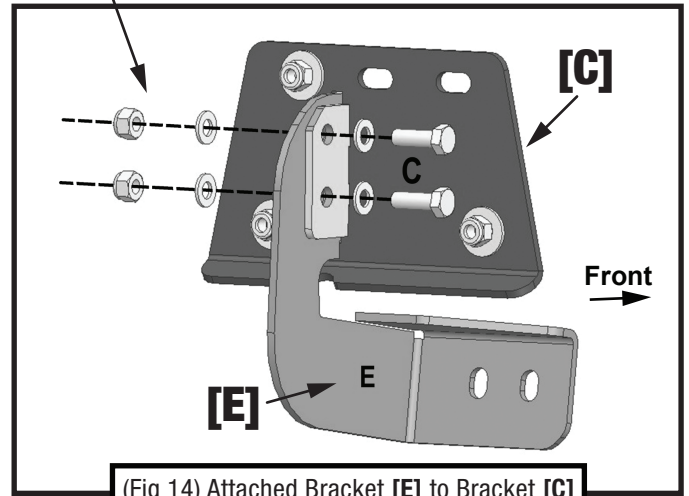


(Fig 12) Attached Bracket [C]

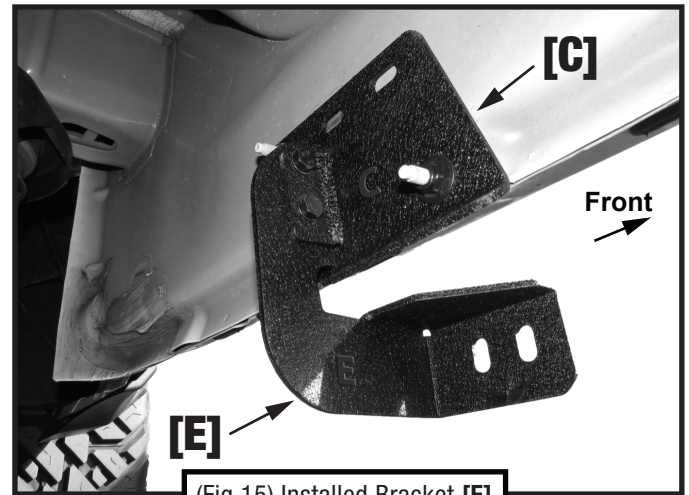


(Fig 13) Installed Bracket [C]

- (2) 8mm Hex Bolts
- (4) 8mm x 16mm x 1.6mm Flat Washers
- (2) 8mm Nylon Lock Nut



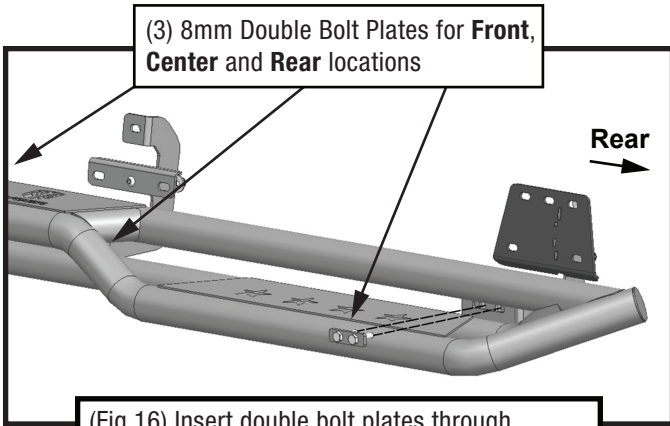
(Fig 14) Attached Bracket [E] to Bracket [C]



(Fig 15) Installed Bracket [E]

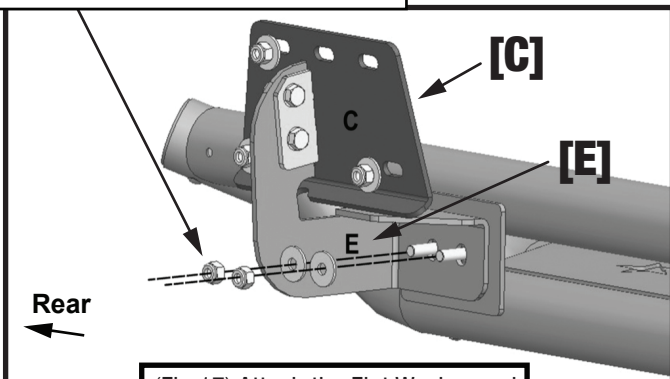
STEP 2 MOUNTING RUNNING BOARDS

Follow (Figs 16-17) to install the driver-side running board.



(Fig 16) Insert double bolt plates through running board slots for **Front**, **Center**, and **Rear**.

(2) 8mm x 24mm x 2mm Flat Washers
(2) 8mm Nylon Lock Nuts

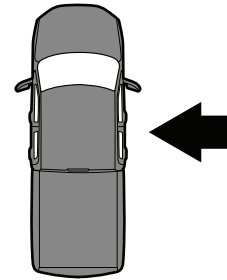


(Fig 17) Attach the Flat Washer and Lock Nut to the Double Bolt Plate

STEP 3 PASSENGER SIDE

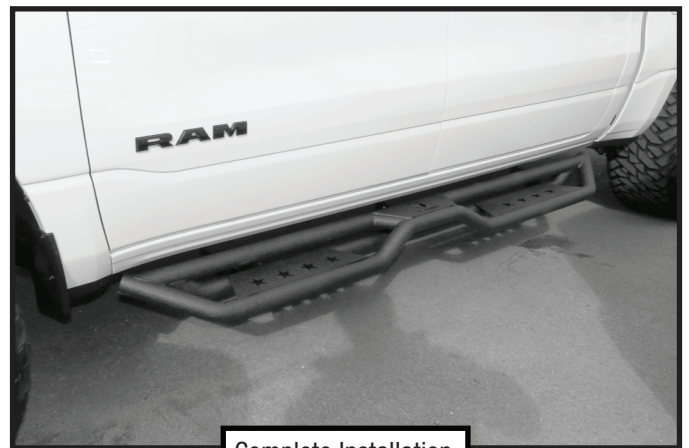
Repeat **STEPS 1-2** for passenger side installation.

Use Bracket **[E]** for the front location instead of **[A]**;
Use Bracket **[A]** for the rear location instead of **[E]**.



STEP 4

Installation is complete. Do periodic inspections to the installation to make sure that all hardware is secure and tight.



Complete Installation