



STAR STRIDER®

TG-SR2J74958

BEFORE INSTALLATION

READ INSTRUCTIONS CAREFULLY BEFORE STARTING INSTALLATION. REMOVE CONTENTS FROM BOX AND VERIFY ALL PARTS ARE PRESENT. FAILURE TO IDENTIFY DAMAGE BEFORE INSTALLATION COULD LEAD TO A REJECTION OF ANY CLAIM. IF MISSING PARTS OR ANY DAMAGE FOUND, PLEASE TAKE A PICTURE FOR THE CLAIM PURPOSE. TO FILE YOUR CLAIM, PLEASE VISIT: WWW.TYGERAUTO.COM/CONTACT

TORQUE VALUES

Fastener Size	Class 8.8 Torque (ft-lbs)	Class 10.9 Torque (ft-lbs)
6mm	6-7	6-7
8mm	15-16	22-23
10mm	31-32	44-45
12mm	54-55	78-79
14mm	87-88	125-126

- x1 Driver Side Star Strider **[D]**
- x1 Passenger Side Star Strider **[P]**
- x1 Driver Side Front Bracket **[A]**
- x1 Driver Side Front-Center Bracket **[B]**
- x1 Driver Side Rear-Center Bracket **[C]**
- x1 Driver Side Rear Bracket **[D]**
- x1 Passenger Side Front Bracket **[E]**
- x1 Passenger Side Front-Center Bracket **[F]**
- x1 Passenger Side Rear-Center Bracket **[G]**
- x1 Passenger Side Rear Bracket **[H]**
- x1 Driver Side Front Support Bracket **[I]**
- x1 Passenger Side Front Support Bracket **[K]**
- x1 Driver Side Rear Support Bracket **[J]**
- x1 Passenger Side Rear Support Bracket **[L]**
- x8 8-1.25mm x 35mm Double Bolt Plates
- x16 6-1.0mm x 25mm Hex Bolts
- x32 6mm x 22mm x 2mm Flat Washers
- x16 6mm Nylon Lock Nuts
- x8 8mm x 28mm x 3mm Flat Washers
- x8 8mm Lock Washers
- x16 8mm x 24mm x 2mm Flat Washers
- x16 8mm Nylon Lock Nuts
- x12 10mm x 24mm x 2.2mm Flat Washers
- x8 8-1.25mm x 35mm Hex Bolts
- x6 10mm Nylon Lock Nuts
- x6 10-1.5mm x 30mm Hex Bolts

Parts List

Top View

ATTENTION: Refer to **[D]** and **[P]** labelling on the side of the tubes to determine Driver and Passenger Star Striders



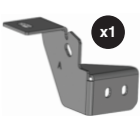
Front

[P] Passenger Side Star Strider



Front

[D] Driver Side Star Strider



[A]
Driver Side Front Bracket



[B]
Driver Side Front-Center Bracket



[C]
Driver Side Rear-Center Bracket



[D]
Driver Side Rear Bracket



[E]
Passenger Side Front Bracket



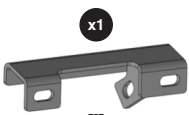
[F]
Passenger Side Front-Center Bracket



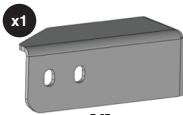
[G]
Passenger Side Rear-Center Bracket



[H]
Passenger Side Rear Bracket



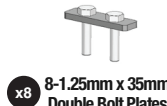
[I]
Driver Side Front Support Bracket



[J]
Driver Side Rear Support Bracket



x8 8mm Lock Washers



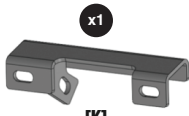
x8 8-1.25mm x 35mm Double Bolt Plates



x16 6-1.0mm x 25mm Hex Bolts

x8 8-1.25mm x 35mm Hex Bolts

x6 10-1.5mm x 30mm Hex Bolts



[K]
Passenger Side Front Support Bracket



[L]
Passenger Side Rear Support Bracket



x32 6mm x 22mm x 2mm Flat Washers

x8 8mm x 28mm x 3mm Flat Washers

x16 8mm x 24mm x 2mm Flat Washer

x12 10mm x 24mm x 2.2mm Flat Washer

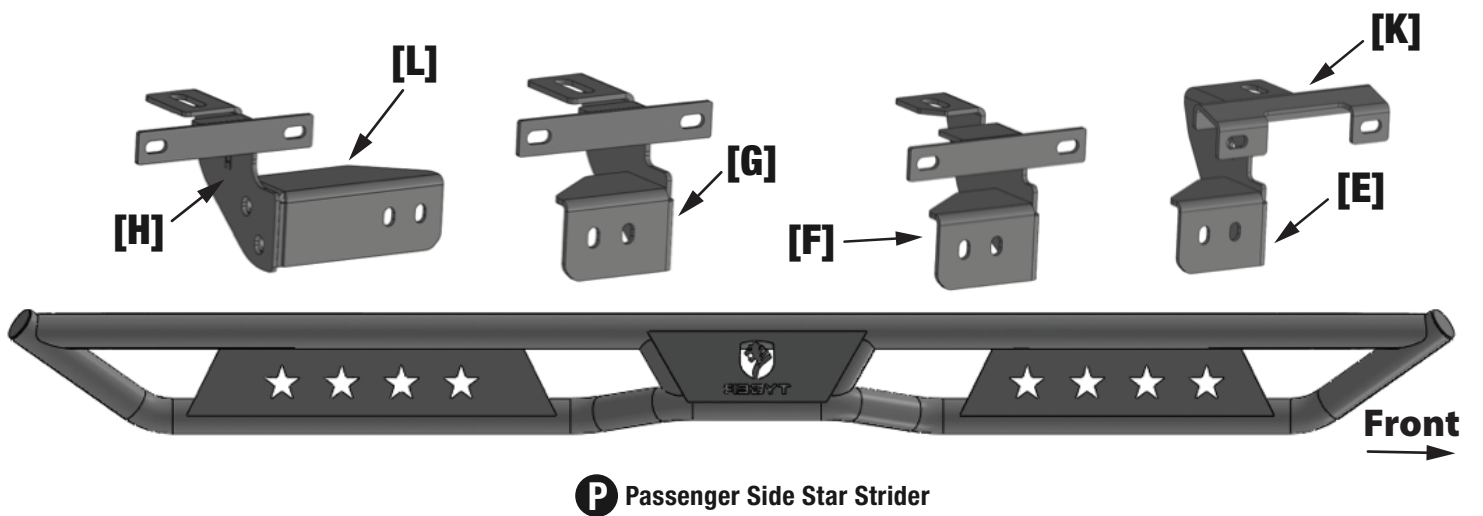
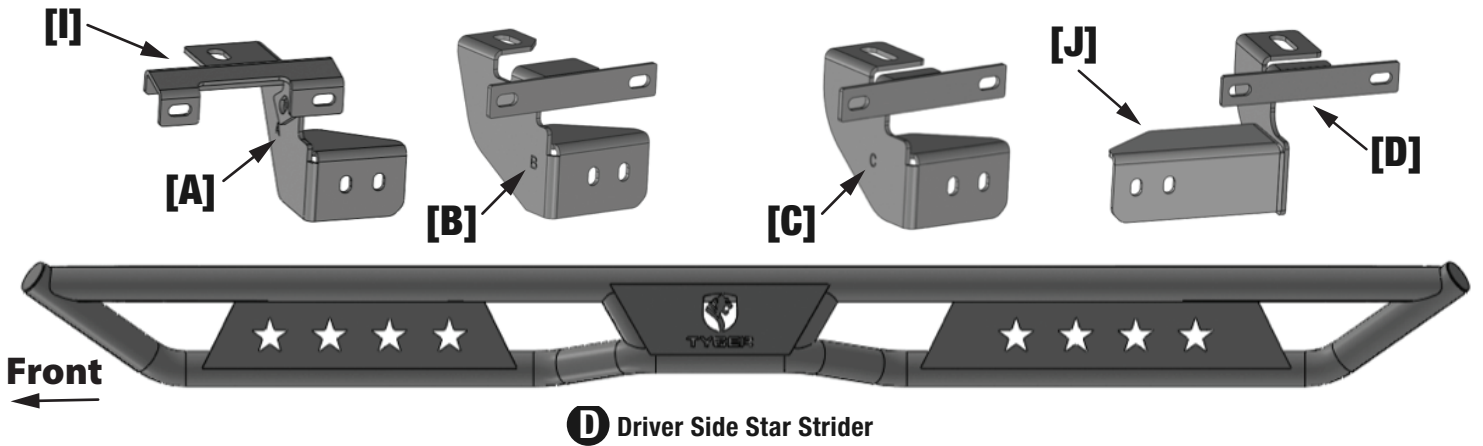


x16 6mm Nylon Lock Nuts

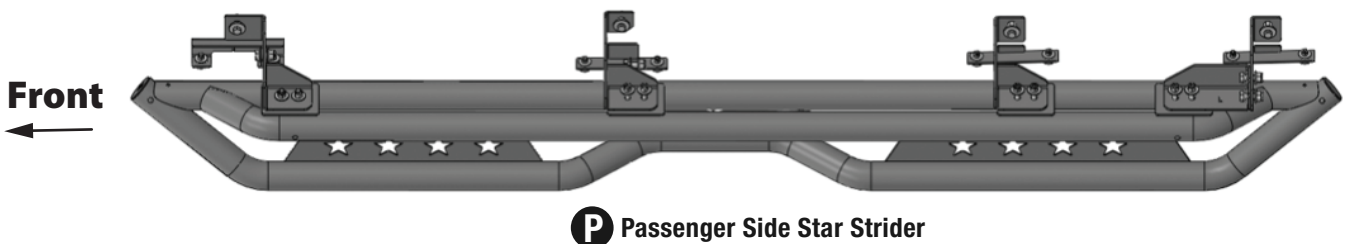
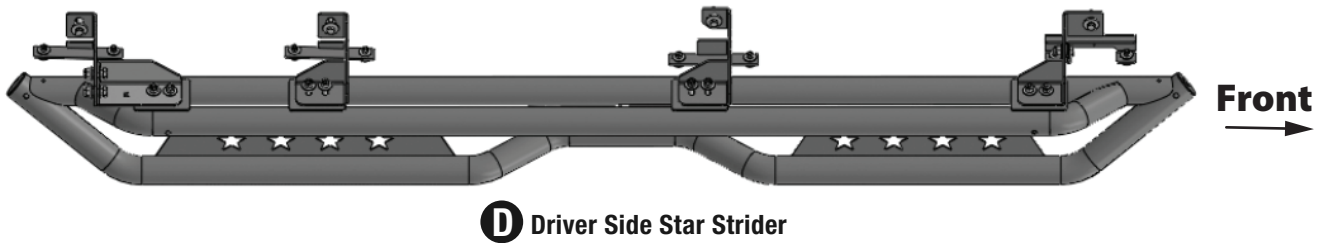
x16 8mm Nylon Lock Nuts

x6 10mm Nylon Lock Nuts

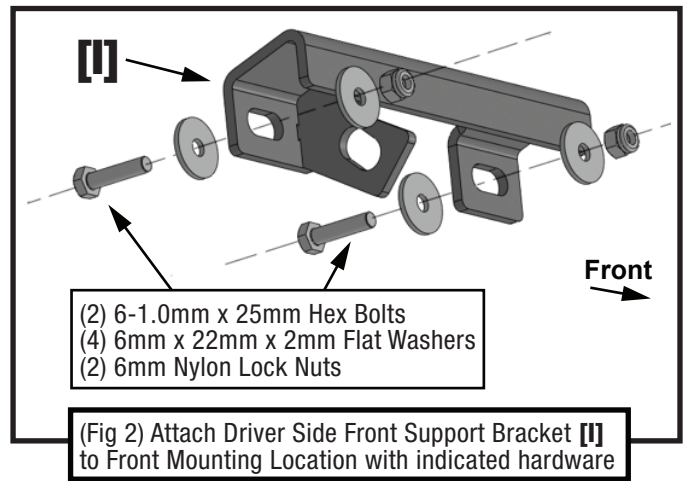
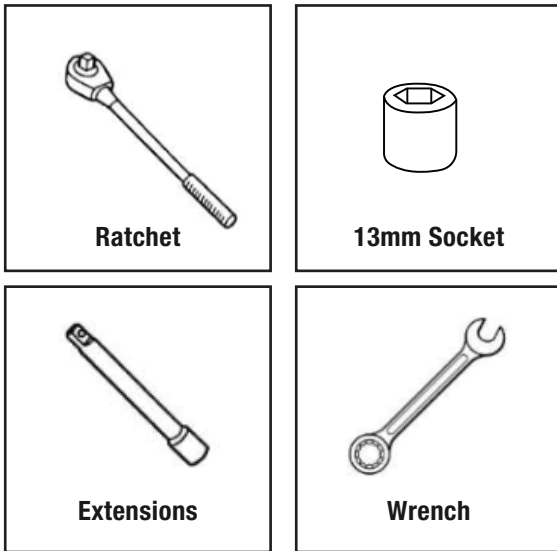
Reference the letters printed on the brackets to determine mounting locations



Bottom View

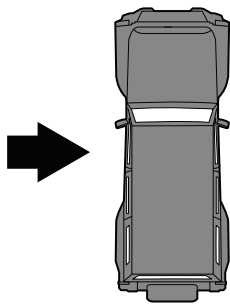


TOOLS REQUIRED

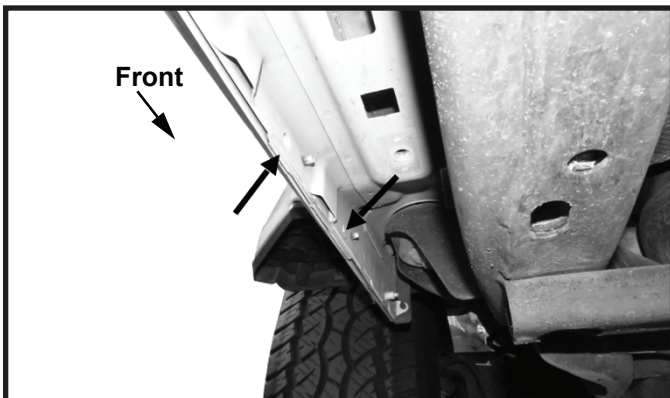
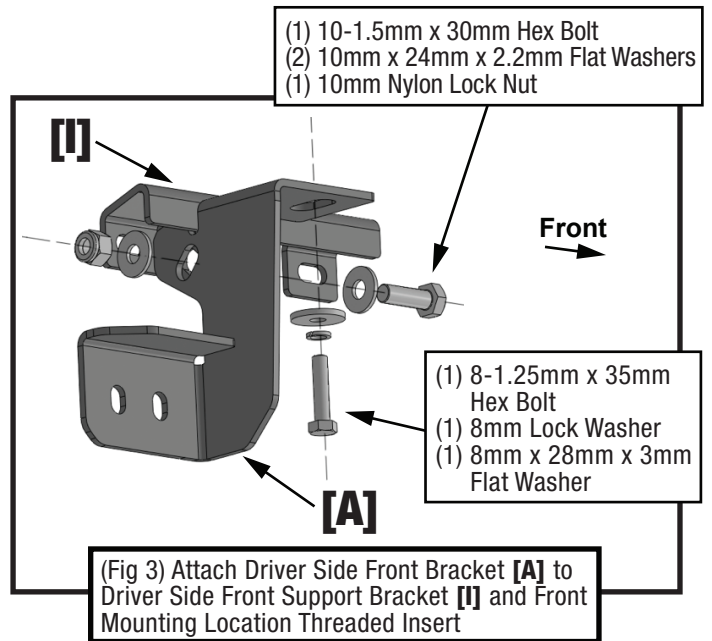


STEP 1 MOUNTING BRACKETS

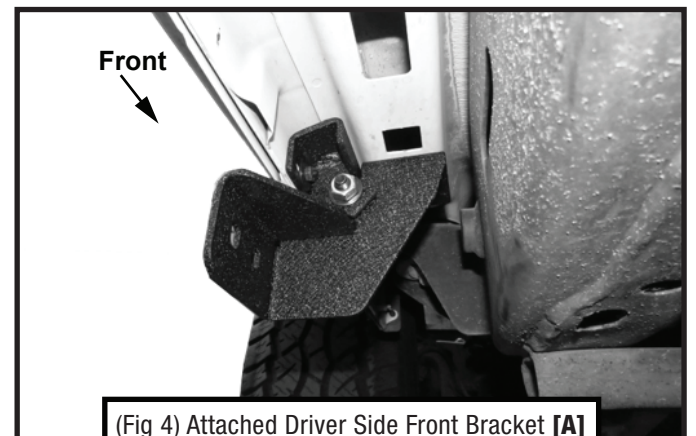
Follow (Figs 1 – 14) to attach the brackets to the Driver Side.



Driver-side Front Mounting Area

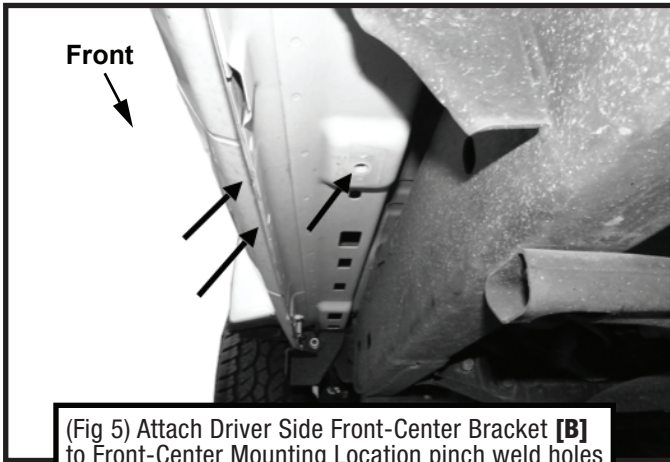


(Fig 1) Starting at Driver Side Front, locate the mounting points and attach Driver Side Front Support Bracket **[I]** to pinch weld

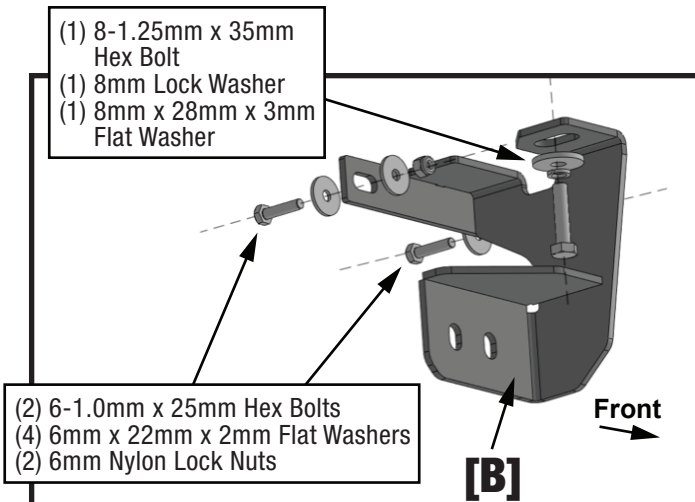


(Fig 4) Attached Driver Side Front Bracket **[A]** and Driver Side Front Support Bracket **[I]**

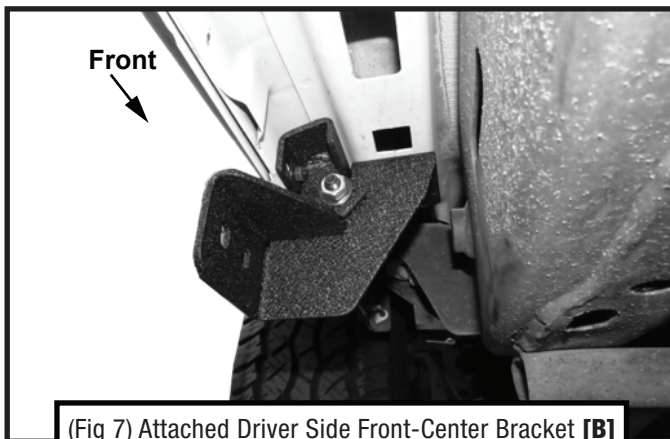
Driver-side Front-Center Mounting Area



(Fig 5) Attach Driver Side Front-Center Bracket **[B]** to Front-Center Mounting Location pinch weld holes and threaded insert

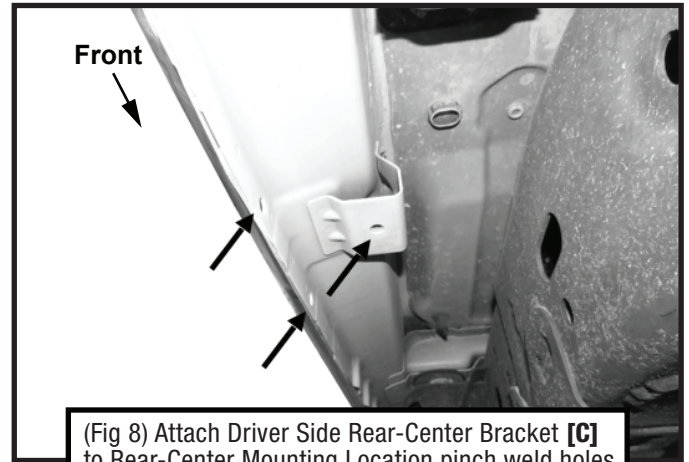


(Fig 6) Attach Driver Side Front-Center Bracket **[B]** to Front-Center Mounting Location pinch weld holes using indicated hardware

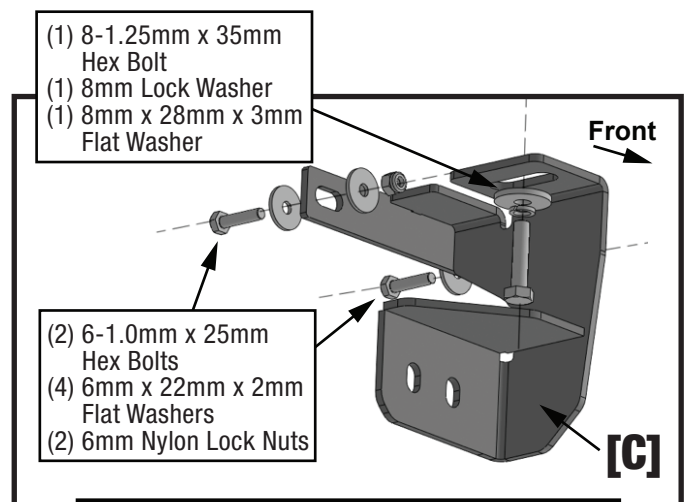


(Fig 7) Attached Driver Side Front-Center Bracket **[B]** to Front-Center Mounting Location

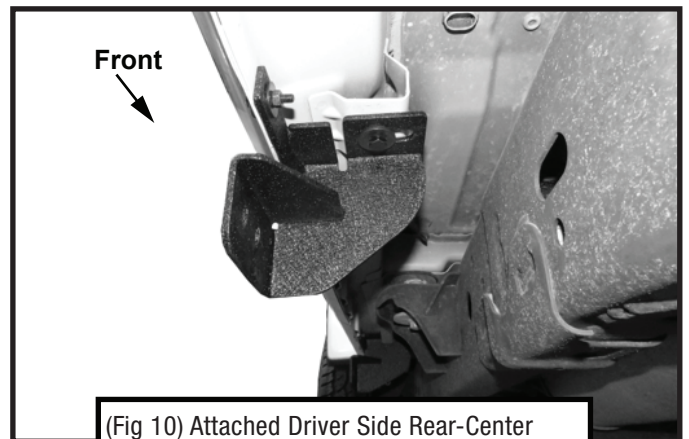
Driver-side Rear-Center Mounting Area



(Fig 8) Attach Driver Side Rear-Center Bracket **[C]** to Rear-Center Mounting Location pinch weld holes and threaded insert

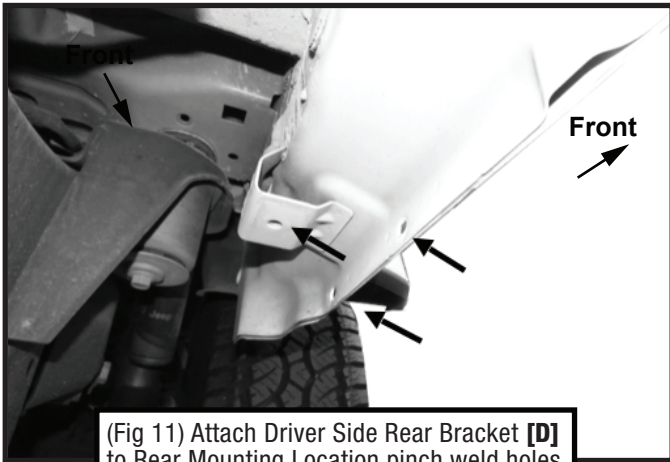


(Fig 9) Attach Driver Side Rear-Center Bracket **[C]** to Rear-Center Mounting Location using indicated hardware

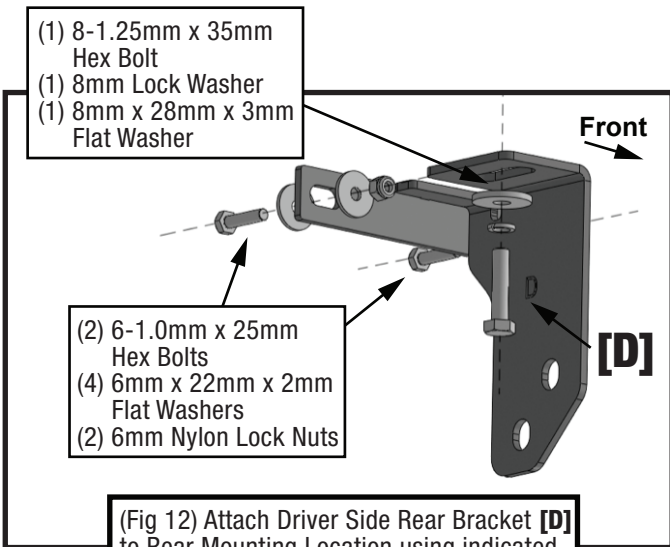


(Fig 10) Attached Driver Side Rear-Center Bracket **[C]** to Rear-Center Mounting Location

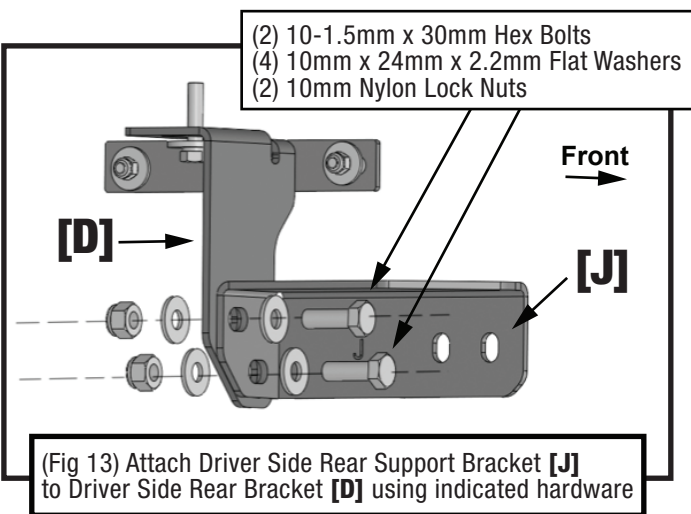
Driver-side Rear Mounting Area



(Fig 11) Attach Driver Side Rear Bracket [D] to Rear Mounting Location pinch weld holes and threaded insert



(Fig 12) Attach Driver Side Rear Bracket [D] to Rear Mounting Location using indicated hardware



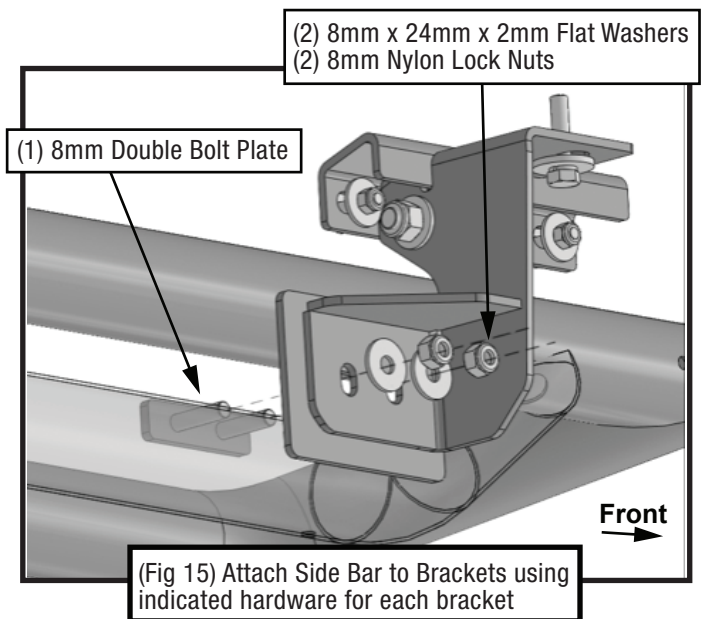
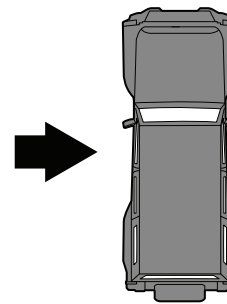
(Fig 13) Attach Driver Side Rear Support Bracket [J] to Driver Side Rear Bracket [D] using indicated hardware



(Fig 14) Attached Driver Side Rear Bracket [D] and Driver Side Rear Support Bracket [J] to Rear Mounting Location

STEP 2 MOUNTING RUNNING BOARDS

Follow (Fig 15) to install the running board.



(Fig 15) Attach Side Bar to Brackets using indicated hardware for each bracket

STEP 3 PASSENGER SIDE

Repeat **STEPS 1-2** for Passenger side installation.

Front: Use Bracket **[E]** instead of **[A]**;

Front-Center: Use Bracket **[F]** instead of **[B]**;

Rear-Center: Use Bracket **[G]** instead of **[C]**;

Rear: Use Bracket **[H]** instead of **[D]**;

Front Support Bracket: **[K]** instead of **[I]**;

Rear Support Bracket: **[L]** instead of **[J]**.

STEP 4

Installation is complete. Do periodic inspections to the installation to make sure that all hardware is secure and tight.

