



STAR STRIDER®

TG-SR2T74718

Scan to Download the Latest Digital Version



BEFORE INSTALLATION

READ INSTRUCTIONS CAREFULLY BEFORE STARTING INSTALLATION. REMOVE CONTENTS FROM BOX AND VERIFY ALL PARTS ARE PRESENT. FAILURE TO IDENTIFY DAMAGE BEFORE INSTALLATION COULD LEAD TO A REJECTION OF ANY CLAIM. IF MISSING PARTS OR ANY DAMAGE FOUND, PLEASE TAKE A PICTURE FOR THE CLAIM PURPOSE. TO FILE YOUR CLAIM, PLEASE VISIT: WWW.TYGERAUTO.COM/CONTACT

TORQUE VALUES

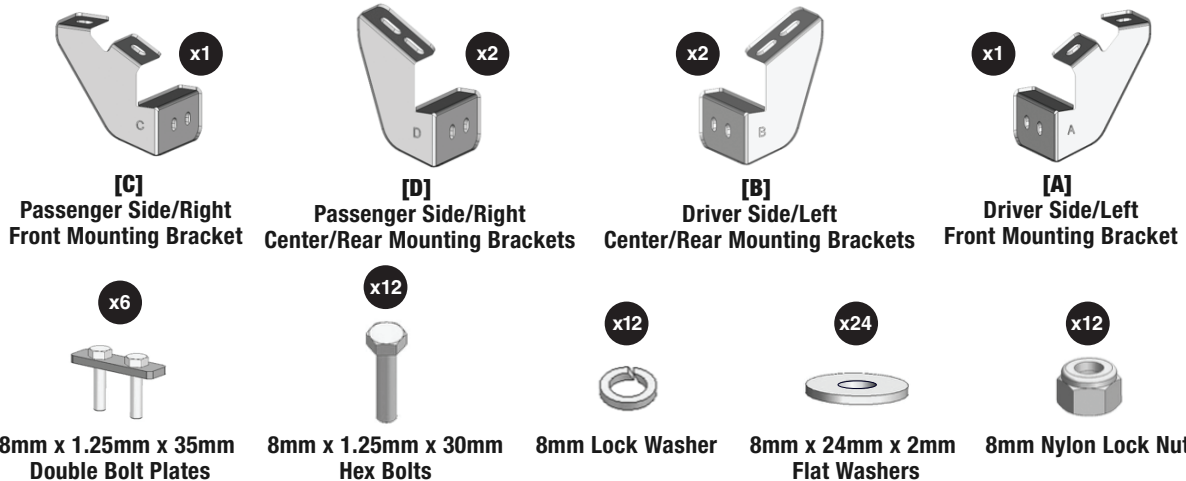
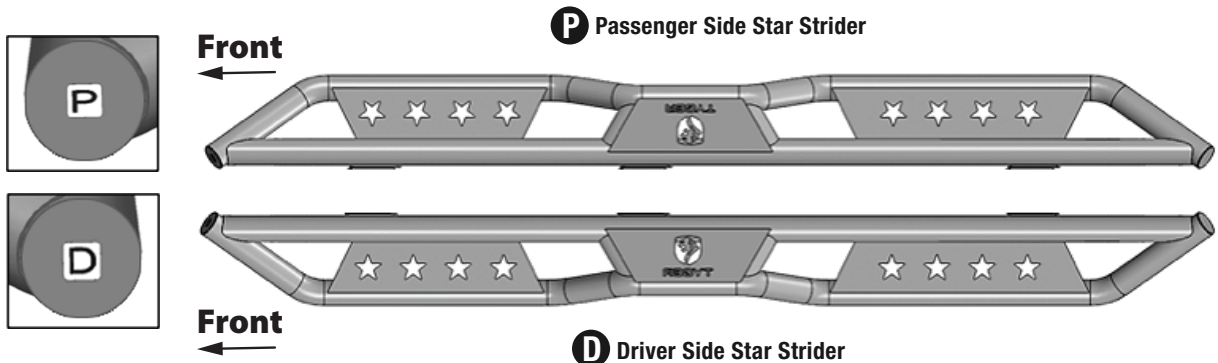
Fastener Size	Class 8.8 Torque (ft-lbs)	Class 10.9 Torque (ft-lbs)
6mm	6-7	6-7
8mm	15-16	22-23
10mm	31-32	44-45
12mm	54-55	78-79
14mm	87-88	125-126

- x1** Driver Side Star Strider **D**
- x1** Passenger Side Star Strider **P**
- x1** Driver Side/Left Front Mounting Bracket **[A]**
- x1** Passenger Side/Right Front Mounting Bracket **[C]**
- x2** Driver Side/Left Center/Rear Mounting Brackets **[B]**
- x2** Passenger Side Center/Rear Mounting Brackets **[D]**
- x6** 8mm x 1.25mm x 35mm Double Bolt Plates
- x12** 8mm Lock Washers
- x12** 8mm Nylon Lock Nuts
- x24** 8mm x 24mm x 2mm Flat Washers
- x12** 8mm x 1.25mm x 30mm Hex Bolts

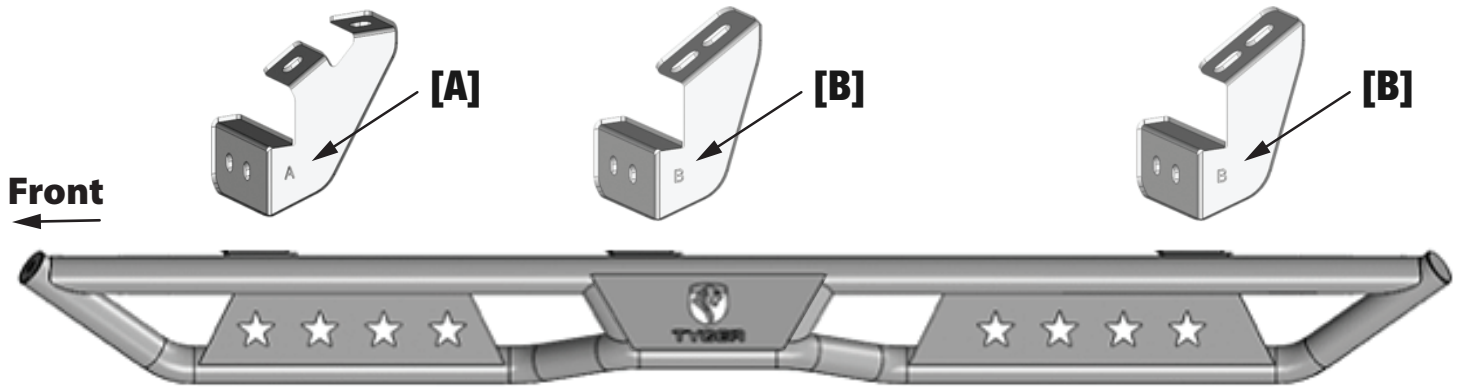
Parts List

Top View

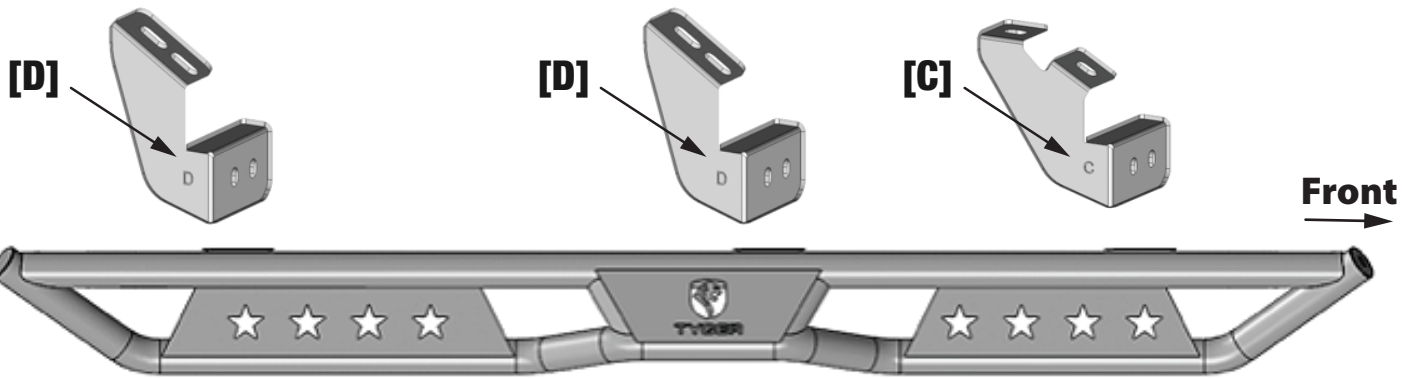
ATTENTION: Refer to **D** and **P** labelling on the side of the tubes to determine Driver and Passenger Star Striders



Reference the letters printed on the brackets to determine mounting locations

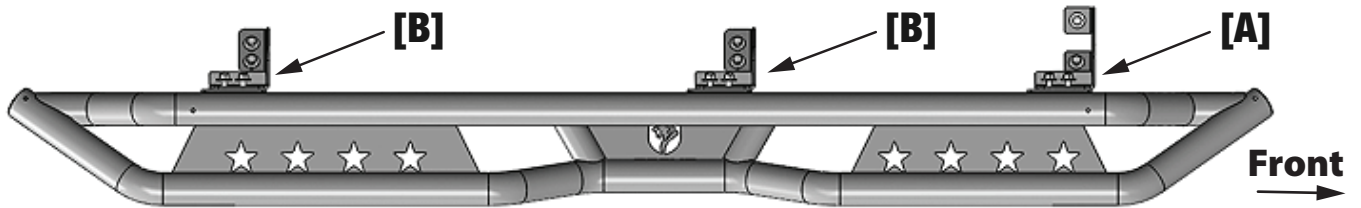


D Driver Side Star Strider

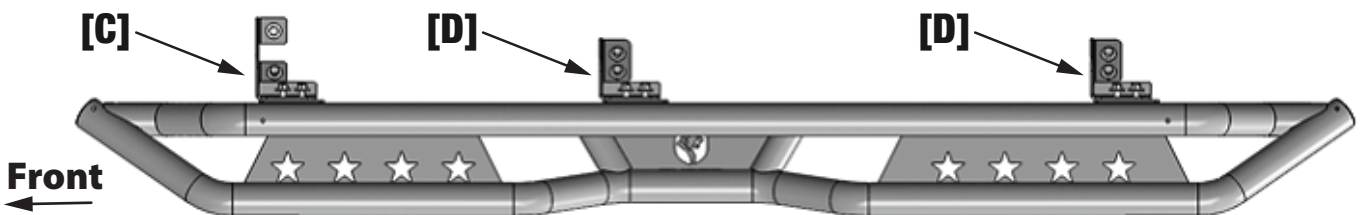


P Passenger Side Star Strider

Bottom View

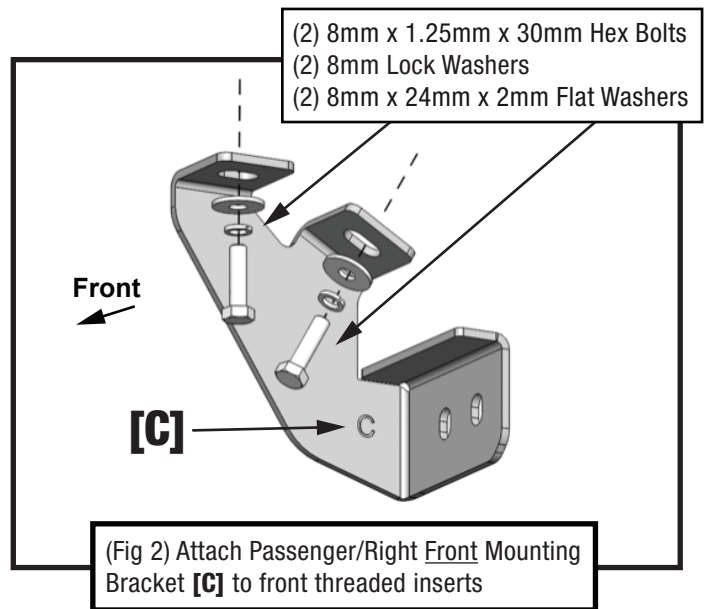
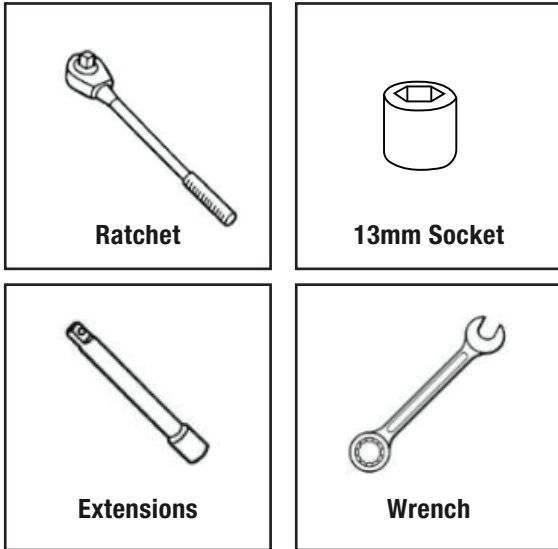


D Driver Side Star Strider



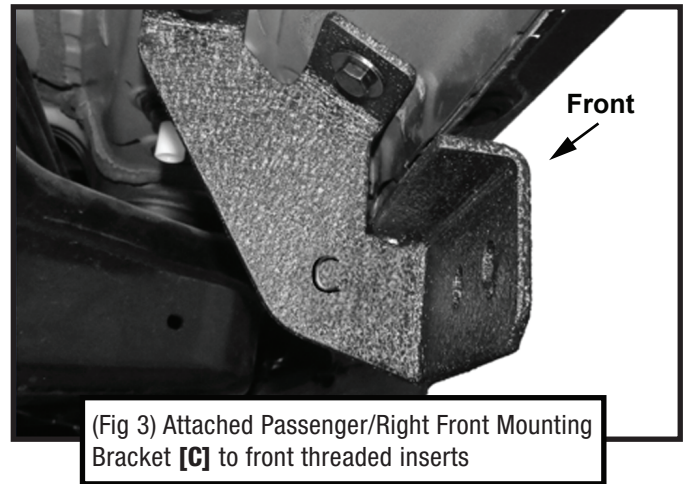
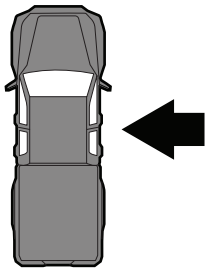
P Passenger Side Star Strider

TOOLS REQUIRED

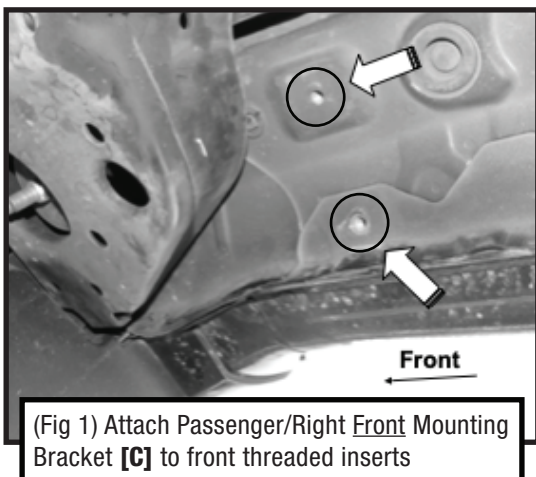


STEP 1 MOUNTING BRACKETS

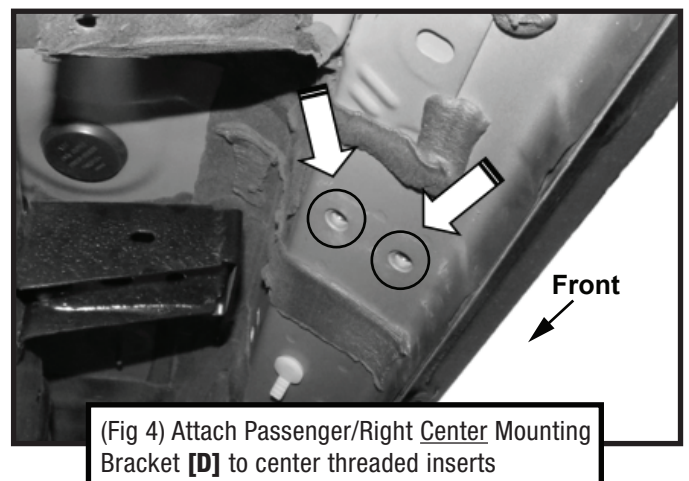
Follow (Fig 1-9) to attach the brackets to the Passenger Side. Ensure all hardwares is hand tightened at this point.



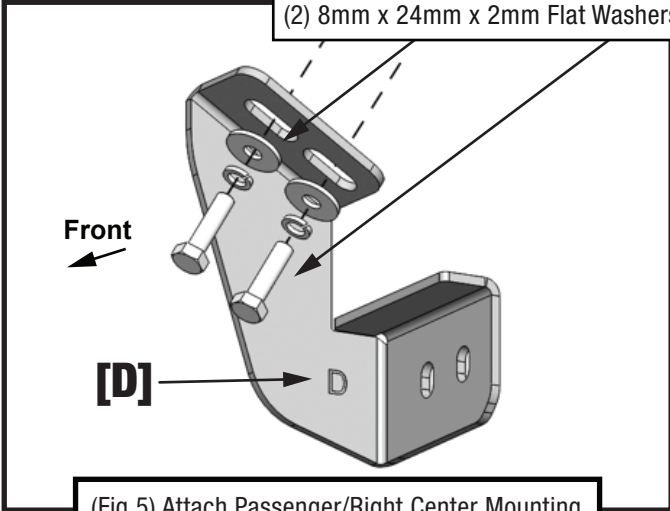
Passenger-side Front Mounting Area



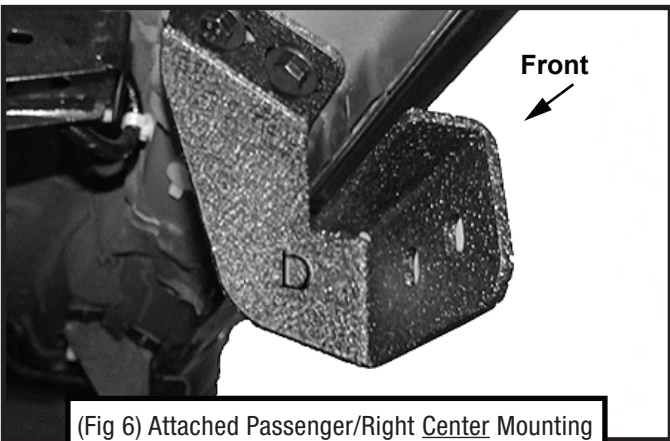
Passenger-side Center Mounting Area



- (2) 8mm x 1.25mm x 30mm Hex Bolts
- (2) 8mm Lock Washers
- (2) 8mm x 24mm x 2mm Flat Washers



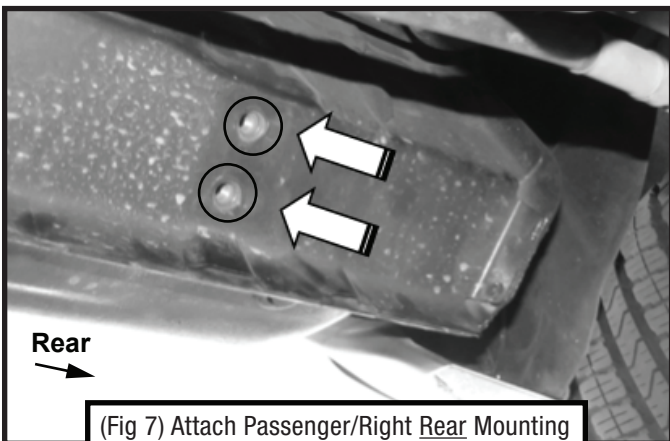
(Fig 5) Attach Passenger/Right Center Mounting Bracket [D] to center threaded inserts



(Fig 6) Attached Passenger/Right Center Mounting Bracket [D] to center threaded inserts

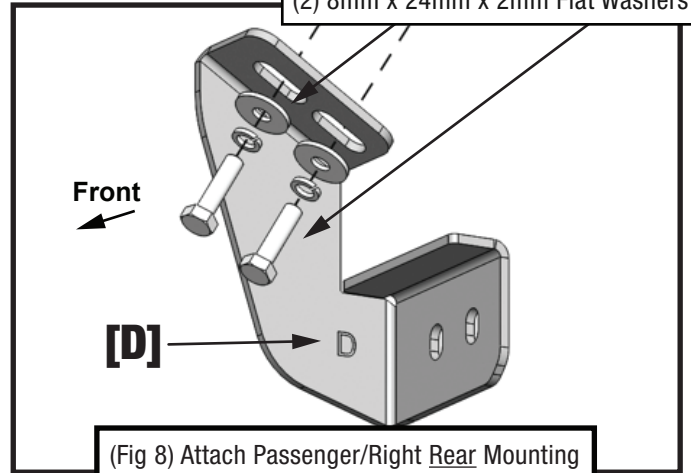


Passenger-side Rear Mounting Area

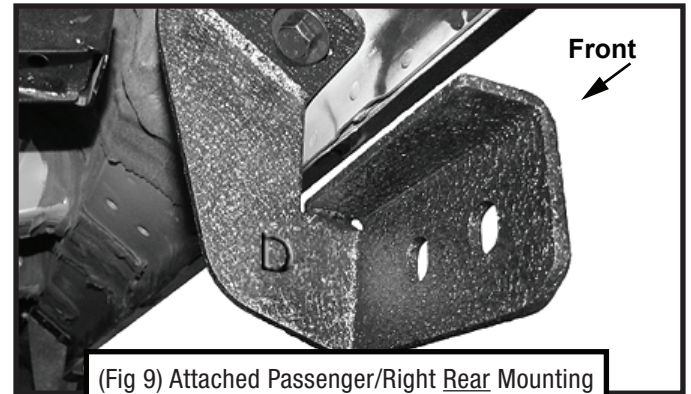


(Fig 7) Attach Passenger/Right Rear Mounting Bracket [D] to rear threaded inserts

- (2) 8mm x 1.25mm x 30mm Hex Bolts
- (2) 8mm Lock Washers
- (2) 8mm x 24mm x 2mm Flat Washers



(Fig 8) Attach Passenger/Right Rear Mounting Bracket [D] to rear threaded inserts

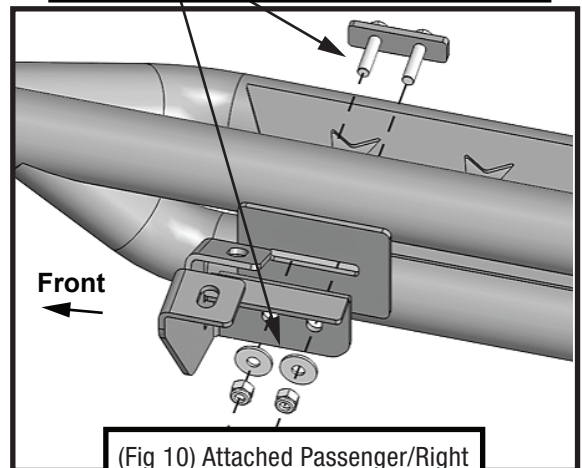


(Fig 9) Attached Passenger/Right Rear Mounting Bracket [D] to rear threaded inserts

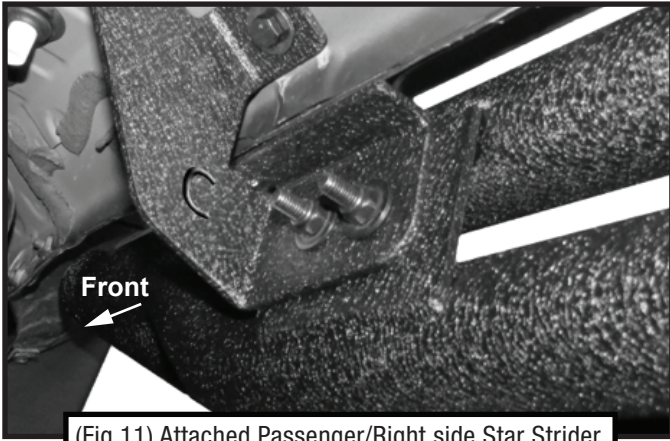
STEP 2 MOUNTING RUNNING BOARDS

Follow (Figs 10-11) to install the Star Strider on the Passenger/Right side. Ensure all hardware is hand tightened at this point.

- (1) 8mm x 1.25mm x 35mm Double Bolt Plates
- (2) 8mm x 24mm x 2mm Flat Washers
- (2) 8mm Nylon Lock Nuts



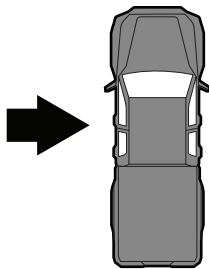
(Fig 10) Attached Passenger/Right side Star Strider to brackets



(Fig 11) Attached Passenger/Right side Star Strider

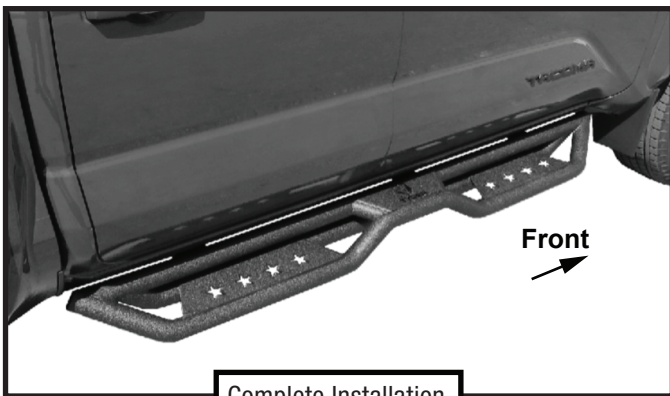
STEP 3 DRIVER SIDE

Repeat **STEPS 1-2** for driver side installation.
 Use Front Bracket **[A]** instead of **[C]**;
 Use Center Bracket **[B]** instead of **[D]**;
 Use Rear Bracket **[B]** instead of **[D]**.



STEP 4

Installation is complete. Do periodic inspections to the installation to make sure that all hardware is secure and tight.



Complete Installation