



## TYGER RIDER®

TG-SS2F35738

### BEFORE INSTALLATION

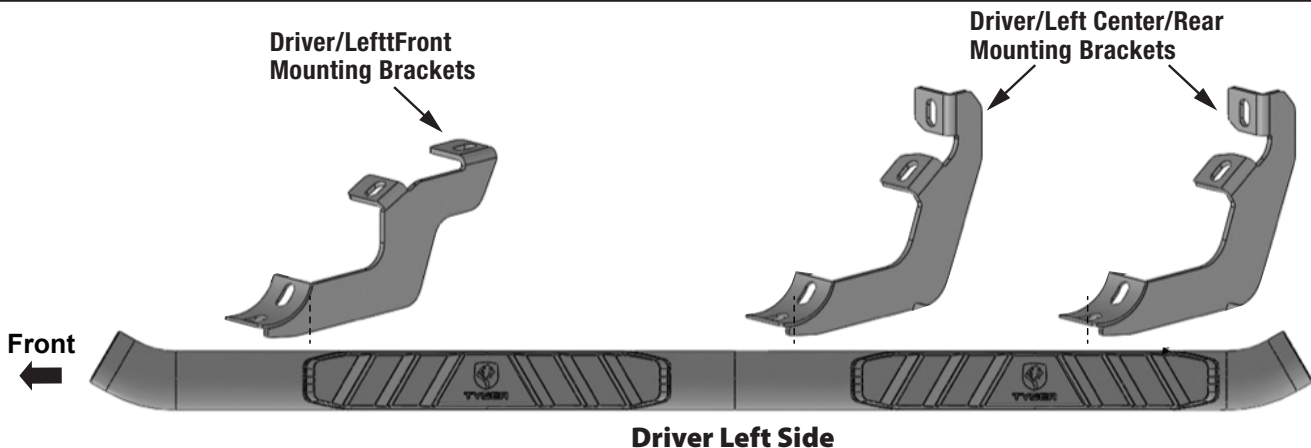
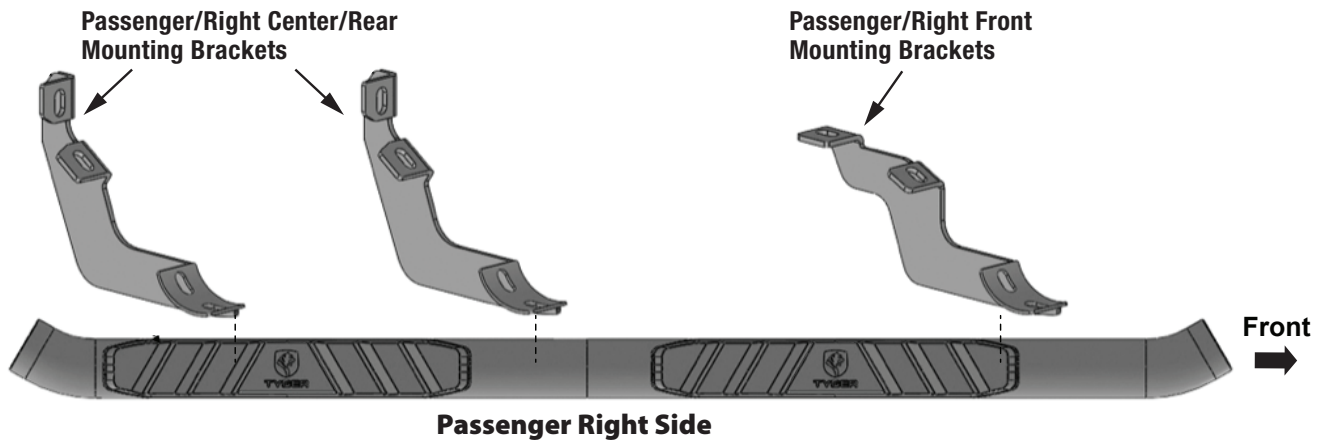
READ INSTRUCTIONS CAREFULLY BEFORE STARTING INSTALLATION. REMOVE CONTENTS FROM BOX AND VERIFY ALL PARTS ARE PRESENT. FAILURE TO IDENTIFY DAMAGE BEFORE INSTALLATION COULD LEAD TO A REJECTION OF ANY CLAIM. IF MISSING PARTS OR ANY DAMAGE FOUND, PLEASE TAKE A PICTURE FOR THE CLAIM PURPOSE. TO FILE YOUR CLAIM, PLEASE VISIT: [WWW.TYGERAUTO.COM/CONTACT](http://WWW.TYGERAUTO.COM/CONTACT)

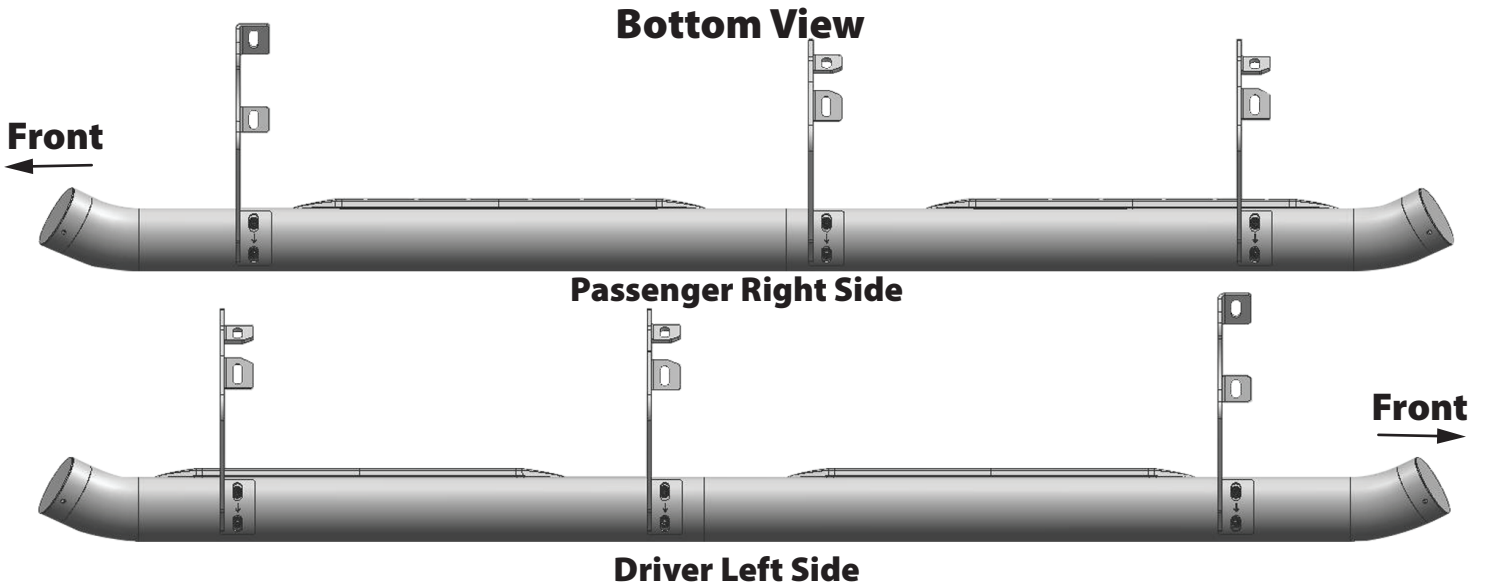
### TORQUE VALUES

Fastener Size	Class 8.8 Torque (ft-lbs)	Class 10.9 Torque (ft-lbs)
6mm	6-7	6-7
8mm	15-16	22-23
10mm	31-32	44-45
12mm	54-55	78-79
14mm	87-88	125-126

### Parts List

- x1** Driver/Left Tyger Rider
- x1** Passenger/Right Tyger Rider
- x2** Front Mounting Brackets
- x4** Center/Rear Mounting Brackets
- x12** 10mm x 30mm Hex Bolts
- x12** 10mm Lock Washers
- x12** 10mm x 27mm OD x 3mm Flat Washers
- x12** 8mm x 25mm Combo Bolts





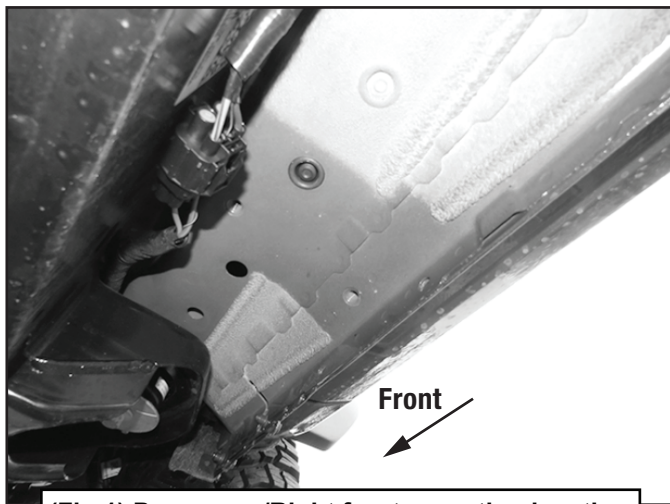
**PROCEDURE:**

REMOVE CONTENTS FROM BOX. VERIFY ALL PARTS ARE PRESENT. READ INSTRUCTIONS CAREFULLY BEFORE STARTING INSTALLATION.

**STEP 1**

Starting from underneath the Passenger/Right body panel, locate the front mounting location and the threaded holes in the body panel (Fig 1). Remove the plastic plugs covering the holes.

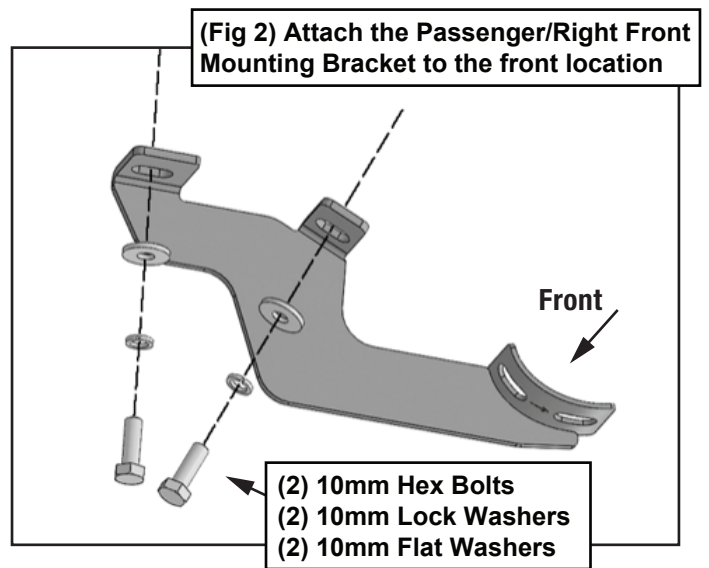
Passenger/Right side Installation Pictured



(Fig 1) Passenger/Right front mounting location

**STEP 2**

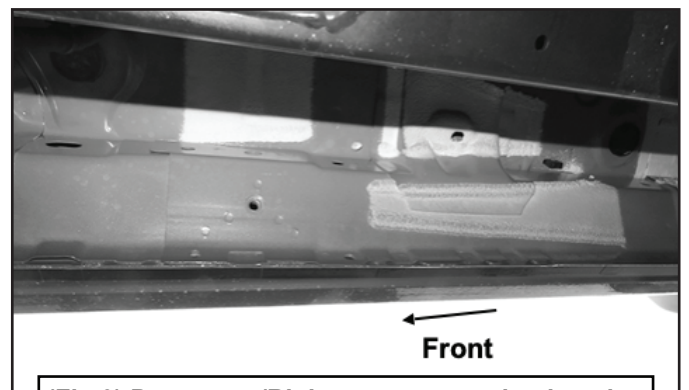
Select the Passenger/Right Front Mounting Bracket. Attach the Mounting Bracket to the front location with (2) 10mm Hex Bolts, (2) 10mm Lock Washers and (2) 10mm Flat Washers (Fig 2). DO NOT tighten hardware.



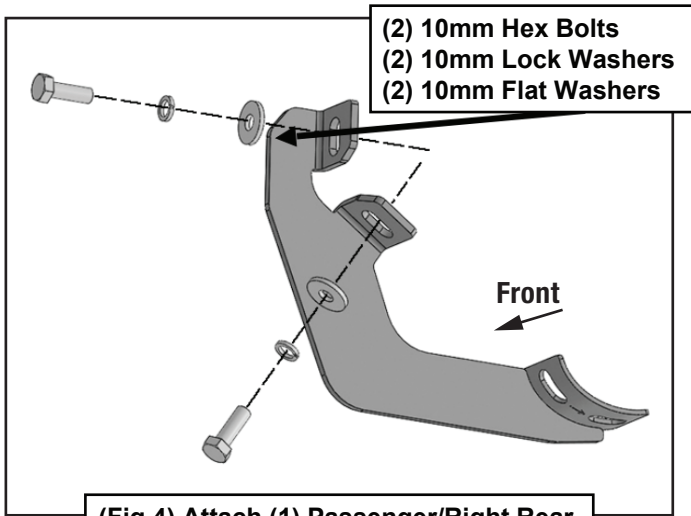
(Fig 2) Attach the Passenger/Right Front Mounting Bracket to the front location

**STEP 3**

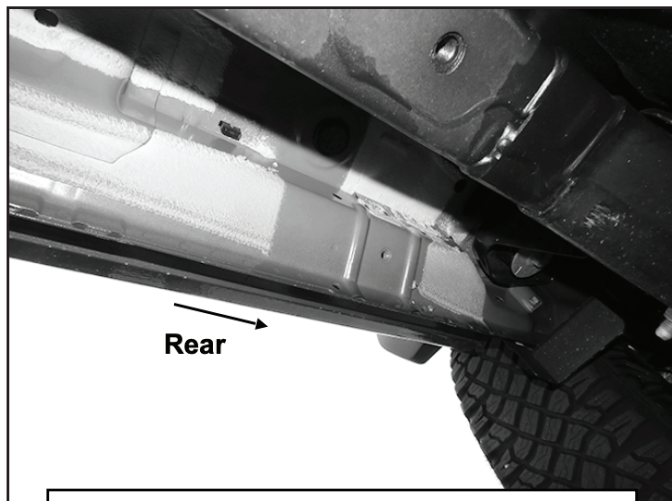
Repeat STEPS 1 & 2 to attach (2) Center/Rear Mounting Brackets to the center and rear locations (Figs 3-5). DO NOT tighten hardware.



(Fig 3) Passenger/Right center mounting location



(Fig 4) Attach (1) Passenger/Right Rear Mounting Bracket to the center location

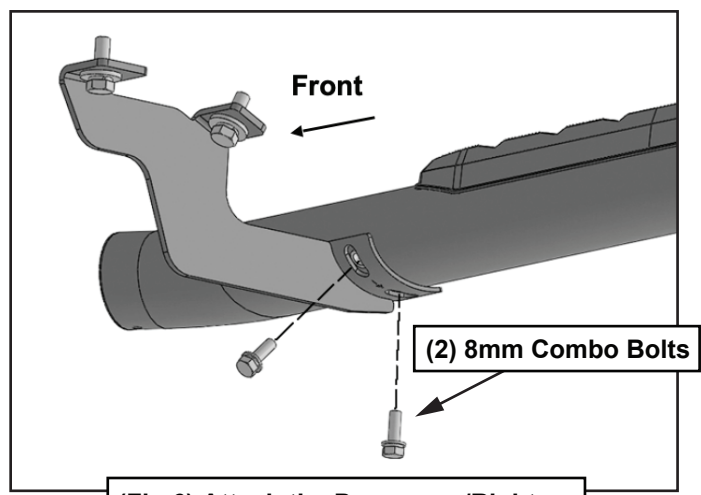


(Fig 5) Passenger/Right rear mounting location

**STEP 4**

Select the Passenger/Right Tyger Rider. Place the Tyger Rider onto the cradles of the Mounting Brackets. **IMPORTANT:** DO NOT rotate or slide the Tyger Rider front to back or damage to the finish may result. Attach the Tyger Rider to the Mounting Brackets with (6) 8mm Combo Bolts (Fig 6). DO NOT tighten hardware.

Passenger/Right side Installation Pictured



(Fig 6) Attach the Passenger/Right Tyger Rider to the Mounting Brackets

**STEP 5**

Level and adjust the Tyger Rider and tighten all hardware.

**STEP 6**

Repeat **STEPS 1-5** to attach the Driver/Left Tyger Rider.

**STEP 7**

Do periodic inspections to the installation to make sure that all hardware is secure and tight.