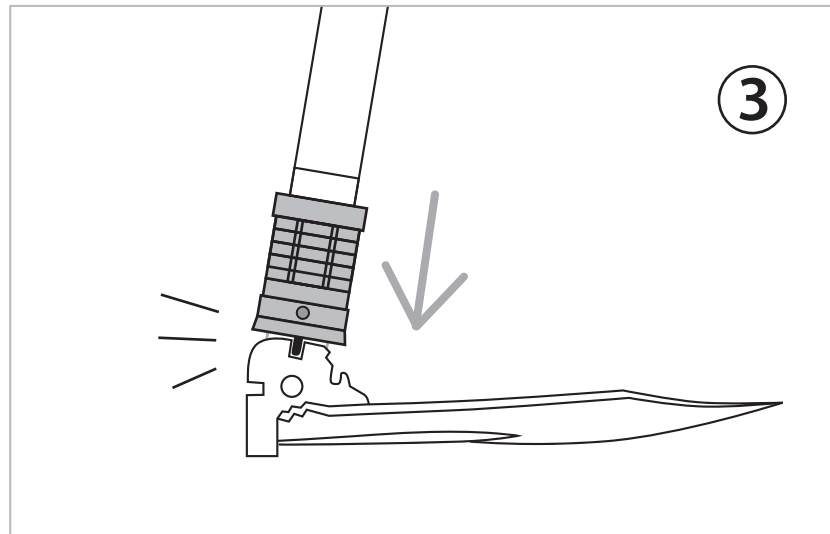
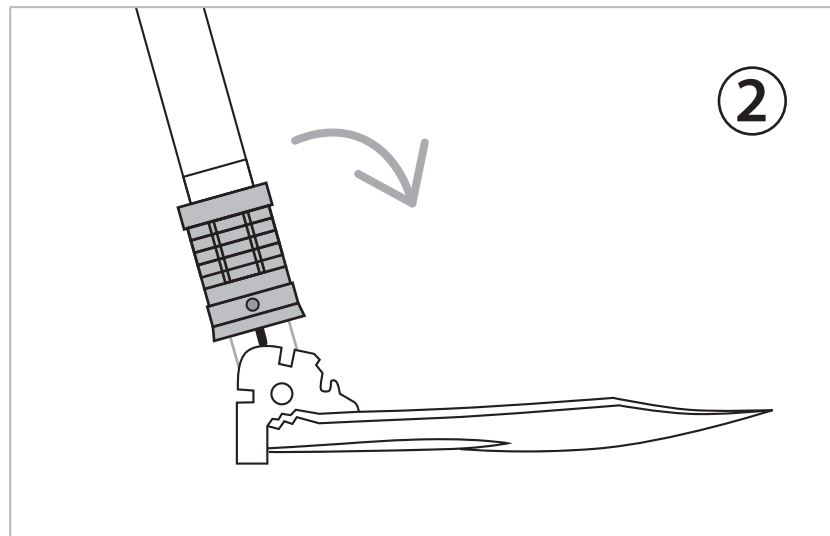
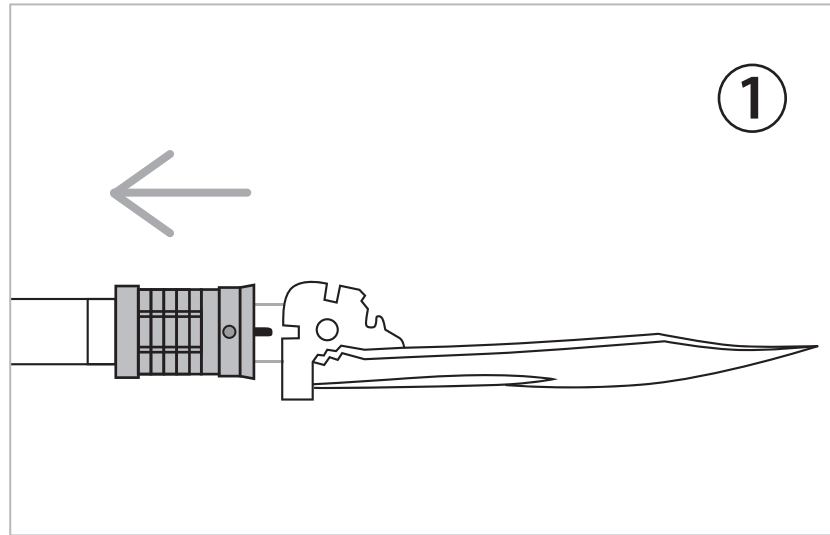


Patented switch mechanism.
Pull the slider to switch mode. Fast and sturdy!



MAINTENANCE & SAFETY REMINDERS

- Wear and tear to shovel is normal resulting from extensive use. Scenarios for which shovel is not designed or not mentioned in this document may also cause damage to shovel.
- Contains sharp objects. Keep safe from children.
- Beware of sharp objects while removing components from storage pack.
- Do not chop or saw metal and rocks.
- Do not use shovel as a crowbar or lever.
- Do not expose shovel to corrosive fluid (such as salt water or non-pH neutral solvents).
- Before use: Wipe off residual anti rust oil on shovel with soft cloth.
- After use: Rinse off dirt and debris with fresh water. Air dry or wipe down with soft cloth after. Then spray anti-rust oil (not included) on shovel before storage.



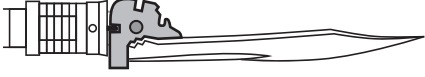





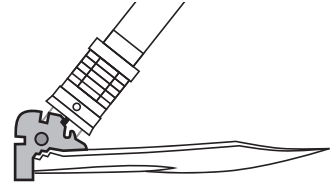

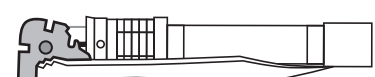
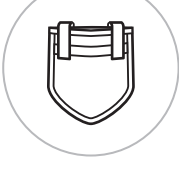
SHOVEL
TG-SV8U3217



NEED HELP? CONTACT US

www.TygerAuto.com/Contact

TYGER has a proud tradition of maintaining the highest of standards therefore we always stand behind our products. If you come across any issues with the shovel, visit the URL above, contact us and learn more about our no-hassle warranty policy.

		Shovel
		Hammer
		Hoe
		Hook
		Storage

