



TYGER TRAX

TG-TX7C29758

Scan to Download the Latest Digital Version



BEFORE INSTALLATION

READ INSTRUCTIONS CAREFULLY BEFORE STARTING INSTALLATION. REMOVE CONTENTS FROM BOX AND VERIFY ALL PARTS ARE PRESENT. FAILURE TO IDENTIFY DAMAGE BEFORE INSTALLATION COULD LEAD TO A REJECTION OF ANY CLAIM. IF MISSING PARTS OR ANY DAMAGE FOUND, PLEASE TAKE A PICTURE FOR THE CLAIM PURPOSE. TO FILE YOUR CLAIM, PLEASE VISIT: WWW.TYGERAUTO.COM/CONTACT

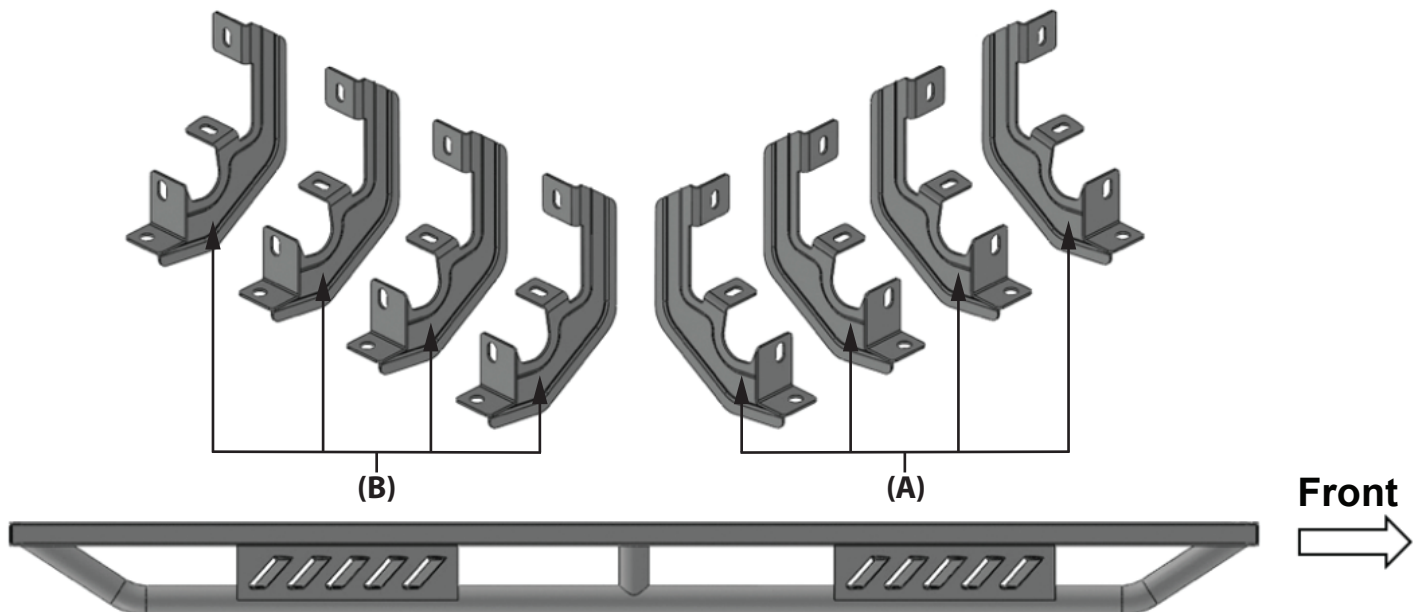
TORQUE VALUES

Fastener Size	Class 8.8 Torque (ft-lbs)	Class 10.9 Torque (ft-lbs)
6mm	6-7	6-7
8mm	15-16	22-23
10mm	31-32	44-45
12mm	54-55	78-79
14mm	87-88	125-126

- x1** Driver/Left Tyger Trax
- x1** Passenger/Right Tyger Trax
- x4** Driver/Left Mounting Brackets (A)
- x4** Passenger/Right Mounting Brackets (B)
- x16** 8mm x 30mm Hex Bolts
- x16** 8mm x 25mm Combo Bolts
- x16** 8mm Lock Washers
- x16** 8mm x 24mm OD x 2mm Flat Washers

Parts List

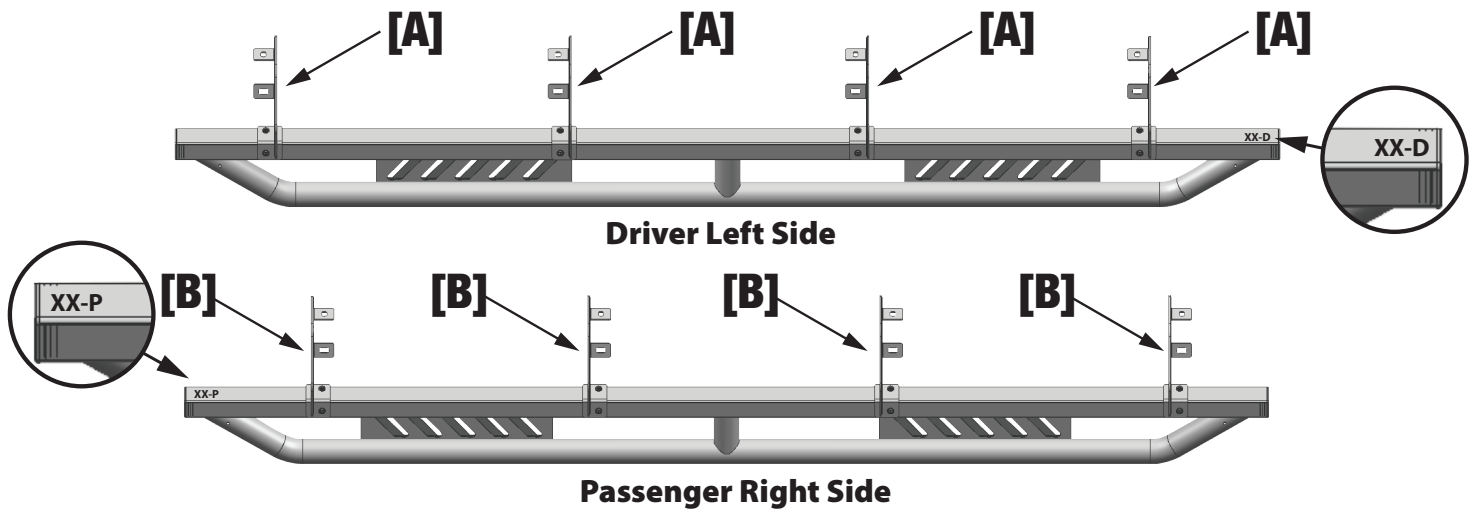
Reference the letters printed on the brackets to determine mounting locations



Passenger/Right TYGER TRAX

Bottom View

ATTENTION: Refer to the **D** or **P** labelling on the tubes to determine the Driver or Passenger side steps.



PROCEDURE:

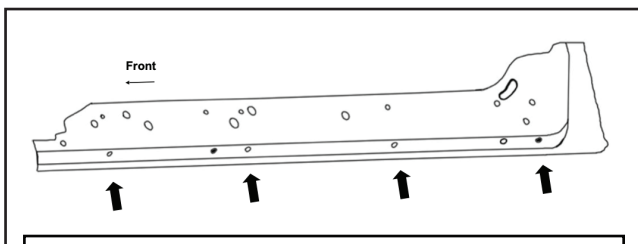
REMOVE CONTENTS FROM BOX. VERIFY ALL PARTS ARE PRESENT. READ INSTRUCTIONS CAREFULLY BEFORE STARTING INSTALLATION. ASSISTANCE IS RECOMMENDED.

STEP 1

Start the installation under the Passenger/Right side of the vehicle.

a. For “Early” 2019 models, locate the 6 plugs along the bottom edge of the body. Mounting Brackets will bolt to the 1st, 3rd, 4th and 6th threaded mounting holes (Fig 1).

Passenger/Right side Installation Pictured



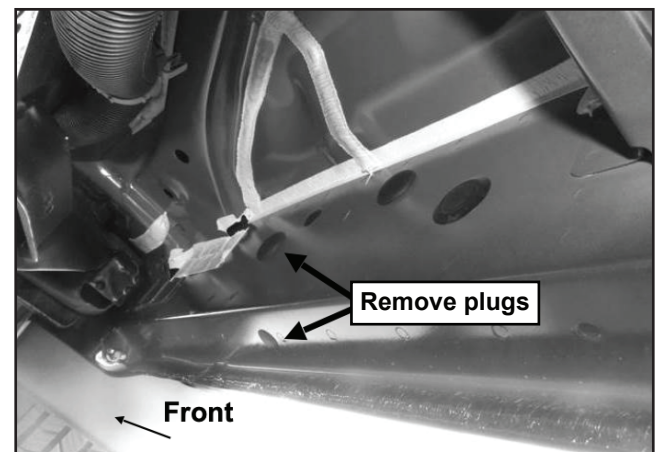
(Fig 1) Passenger/Right “Early” rocker panel mounting locations (arrows) NOTE: Hold Bracket up to body panel to help determine the correct mounting locations.

b. For “Late” 2019 models, all (4) mounting locations will be used.

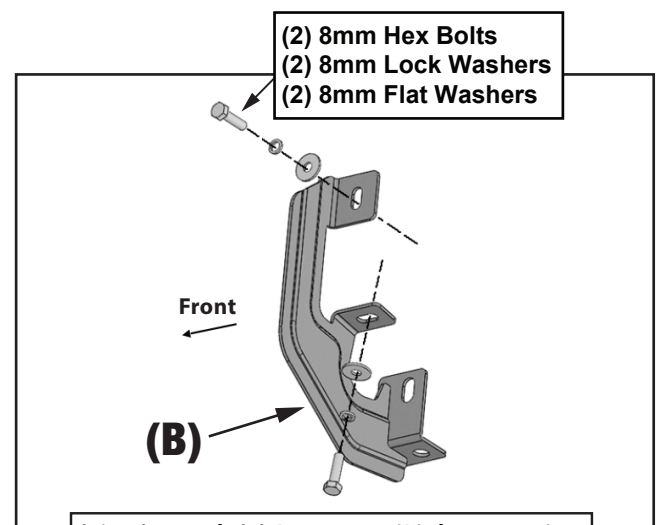
STEP 2

Remove the plastic plugs from the Passenger/Right front mounting location. Select (1) Mounting Bracket (B). Attach the Mounting Bracket (B) to the factory threaded holes with (2) 8mm Hex Bolts, (2) 8mm Lock Washers and (2) 8mm Flat Washers (Figs 2 & 3). DO NOT tighten hardware.

Passenger/Right side Installation Pictured



(Fig 2) Remove plastic plugs to uncover threaded inserts

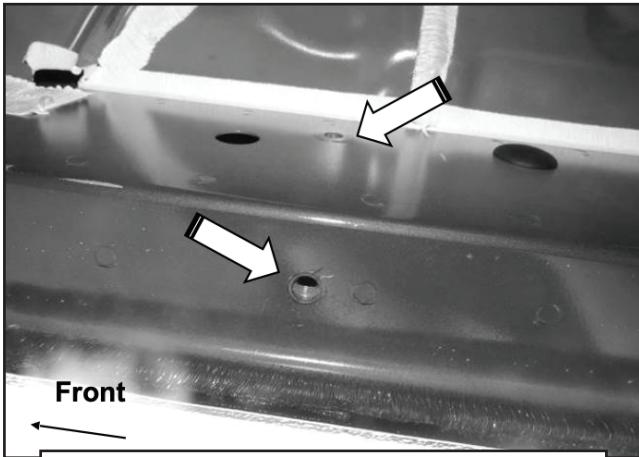


(Fig 3) Attach (1) Passenger/Right Mounting Bracket (B) to the mounting location

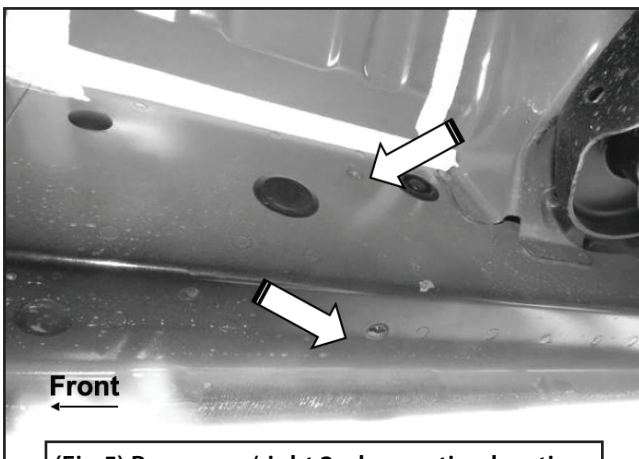
STEP 3

Repeat **STEPS 1 & 2** to attach (3) Mounting Brackets (B) to the (3) remaining locations along the rocker panel (Figs 4-7). **DO NOT** tighten hardware.

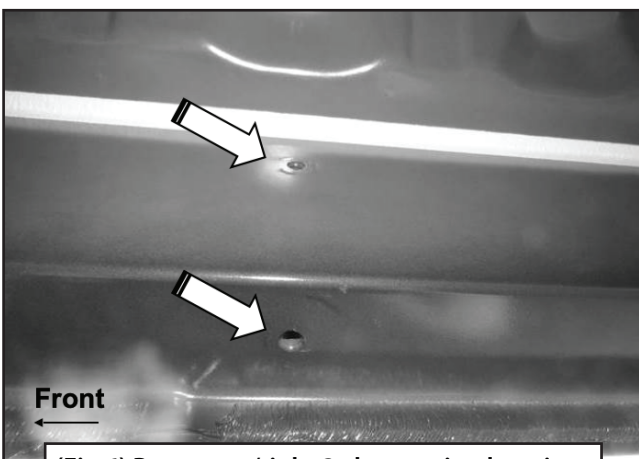
Passenger/Right side Installation Pictured



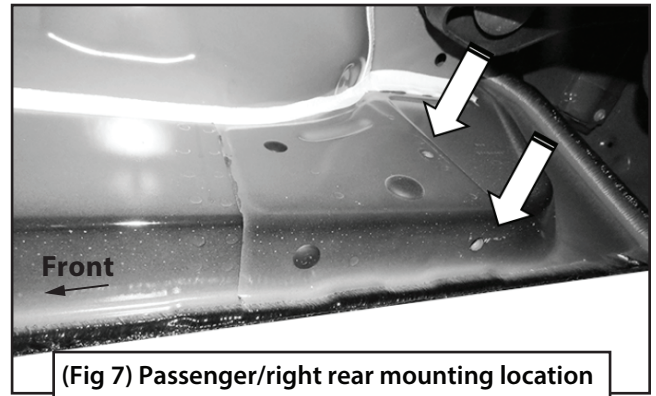
(Fig 4) Passenger/right front mounting location



(Fig 5) Passenger/right 2nd mounting location



(Fig 6) Passenger/right 3rd mounting location



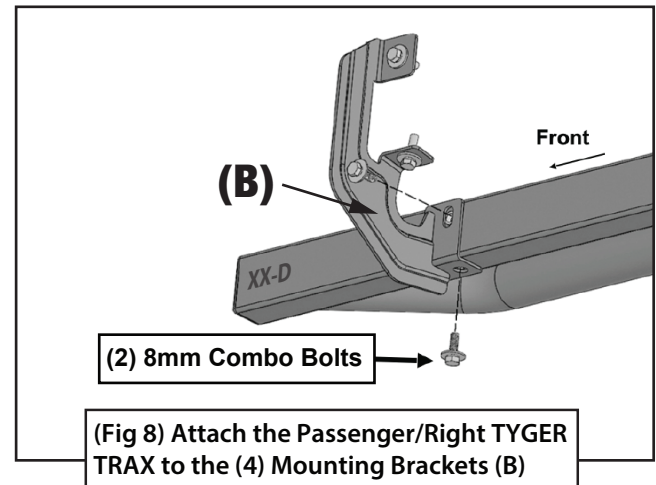
(Fig 7) Passenger/right rear mounting location

STEP 4

Select the Driver/Left TYGER TRAX. Place the sidebar onto the cradles of the Mounting Brackets (B). **IMPORTANT:** DO NOT slide the Sidebar front to back or damage to the finish may result.

STEP 5

Attach the Sidebar to the (3) Mounting Brackets (B) with (6) 8mm Combo Bolts (Fig 8). **DO NOT** tighten hardware.



(Fig 8) Attach the Passenger/Right TYGER TRAX to the (4) Mounting Brackets (B)

STEP 6

Level and adjust the TYGER TRAX and fully tighten all hardware.

STEP 7

Repeat **STEPS 1-6** to attach the Driver/Left TYGER TRAX.

STEP 8

Do periodic inspections to the installation to make sure that all hardware is secure and tight.