



TYGER TRAX

TG-TX7J27118

Scan to Download the Latest Digital Version



BEFORE INSTALLATION

READ INSTRUCTIONS CAREFULLY BEFORE STARTING INSTALLATION. REMOVE CONTENTS FROM BOX AND VERIFY ALL PARTS ARE PRESENT. FAILURE TO IDENTIFY DAMAGE BEFORE INSTALLATION COULD LEAD TO A REJECTION OF ANY CLAIM. IF MISSING PARTS OR ANY DAMAGE FOUND, PLEASE TAKE A PICTURE FOR THE CLAIM PURPOSE. TO FILE YOUR CLAIM, PLEASE VISIT: WWW.TYGERAUTO.COM/CONTACT

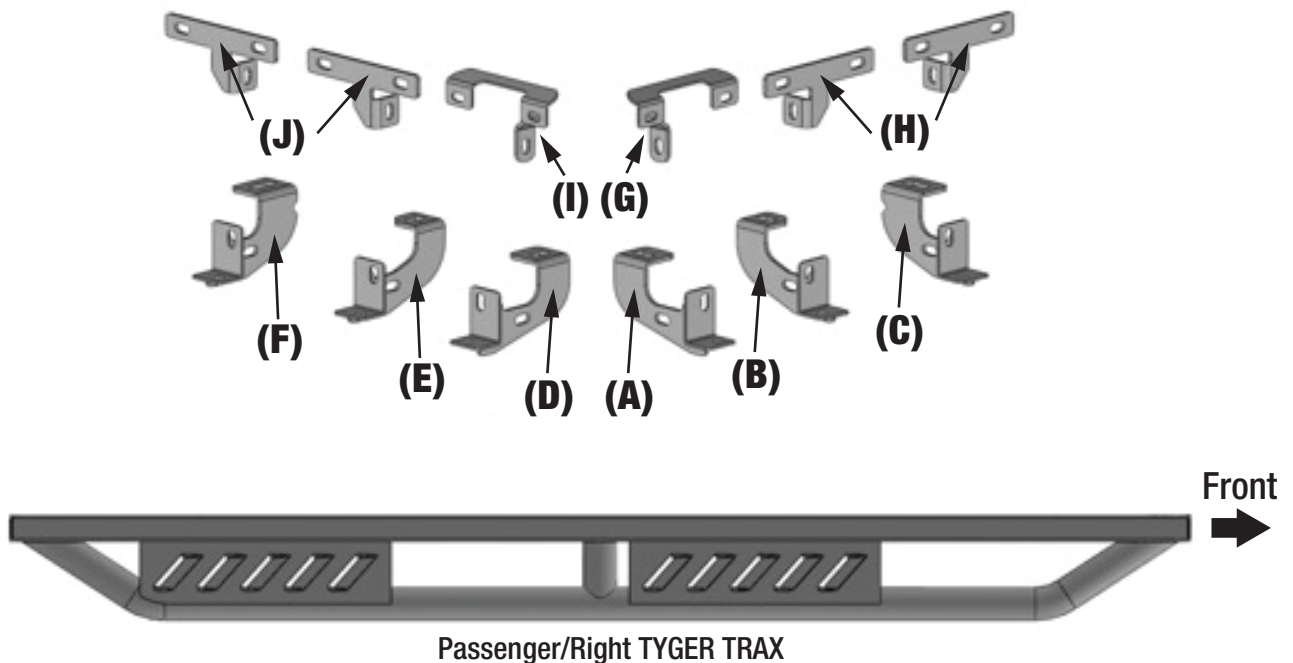
TORQUE VALUES

Fastener Size	Class 8.8 Torque (ft-lbs)	Class 10.9 Torque (ft-lbs)
6mm	6-7	6-7
8mm	15-16	22-23
10mm	31-32	44-45
12mm	54-55	78-79
14mm	87-88	125-126

- x1 Driver/Left TYGER TRAX
- x1 Passenger/Right TYGER TRAX
- x1 Driver/Left Front Mounting Bracket (A)
- x1 Passenger/Right Front Mounting Bracket (D)
- x1 Driver/Left Center Mounting Bracket (B)
- x1 Passenger/Right Center Mounting Bracket (E)
- x1 Driver/Left Rear Mounting Bracket (C)
- x1 Passenger/Right Rear Mounting Bracket (F)
- x1 Driver/Left Front Support Bracket (G)
- x1 Passenger/Right Front Support Bracket (I)
- x2 Driver/Left Center/Rear Support Brackets (H)
- x2 Passenger/Right Center/Rear Support Brackets (J)
- x6 10mm x 30mm Hex Bolts
- x12 10mm x 24mm OD x 2.2mm Flat Washers
- x6 10mm Nylon Lock Nuts
- x6 8mm x 35mm Hex Bolts
- x12 8mm x 25mm Combo Bolts
- x6 8mm Lock Washers
- x6 8mm x 28mm OD x 3mm Flat Washers
- x12 6mm x 25mm Hex Bolts
- x24 6mm x 22mm OD x 2mm Flat Washers
- x12 6mm Nylon Lock Nuts

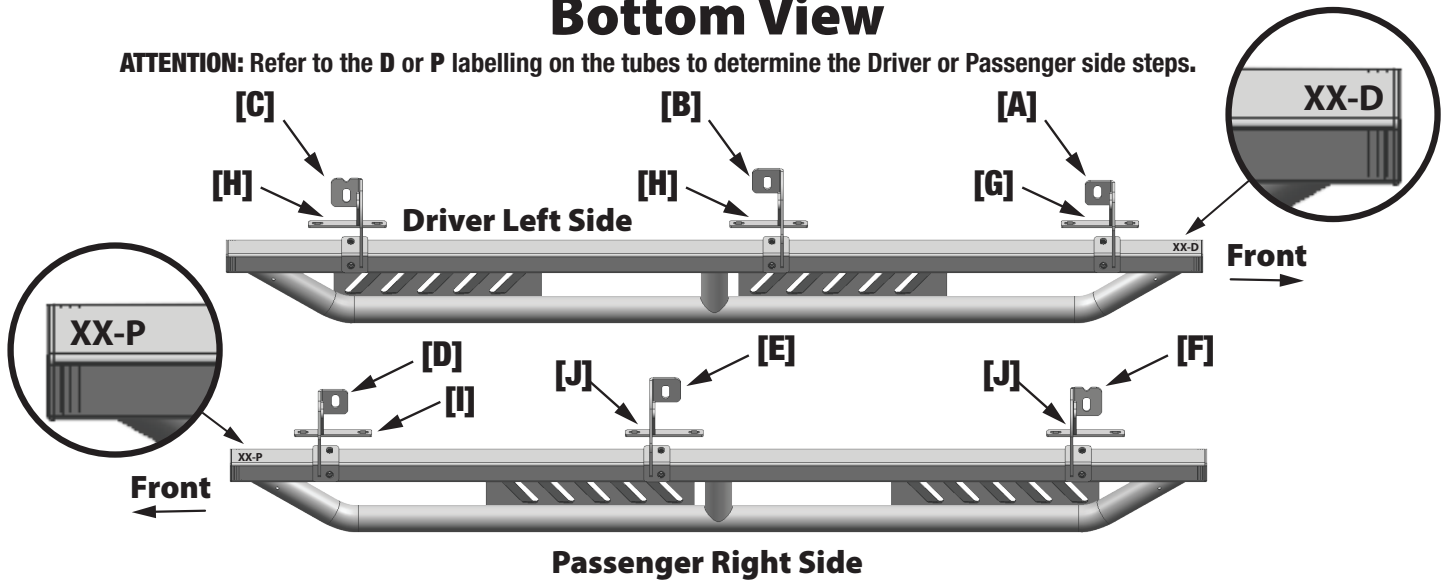
Parts List

Reference the letters printed on the brackets to determine mounting locations



Bottom View

ATTENTION: Refer to the D or P labelling on the tubes to determine the Driver or Passenger side steps.



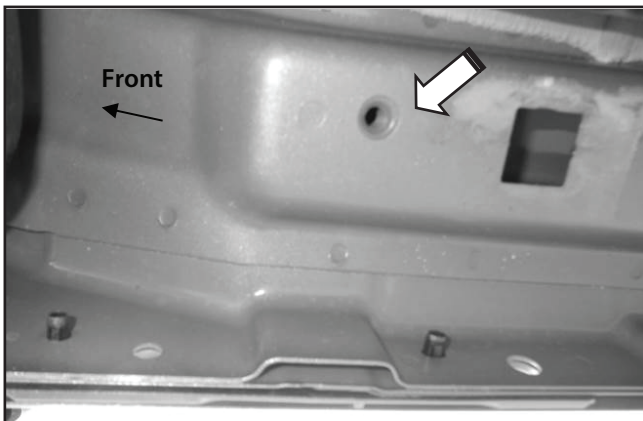
PROCEDURE:

REMOVE CONTENTS FROM BOX. VERIFY ALL PARTS ARE PRESENT. READ INSTRUCTIONS CAREFULLY BEFORE STARTING INSTALLATION. SIDE STEPS OR RUNNING BOARDS MUST BE REMOVED BEFORE INSTALLATION.

STEP 1

Start installation on the Passenger/Right front of the of the vehicle. Find the front threaded insert located in between the first pair of holes along the pinch weld (Fig 1).

Passenger/Right Side Installation Pictured

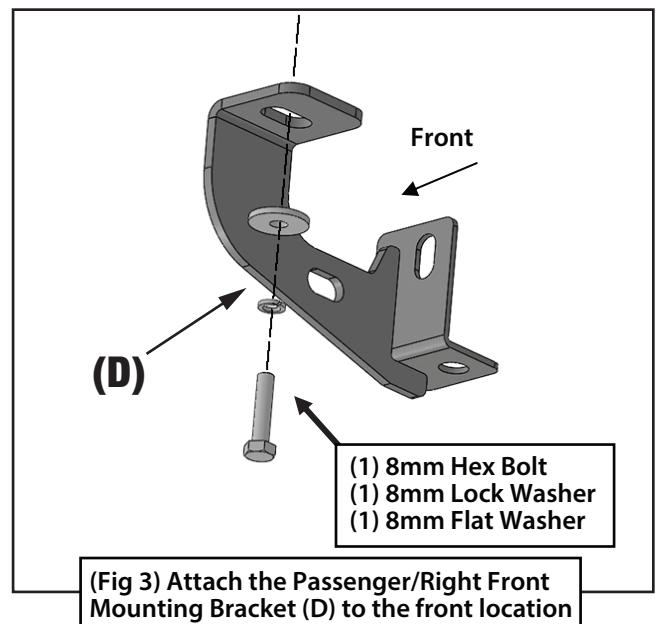
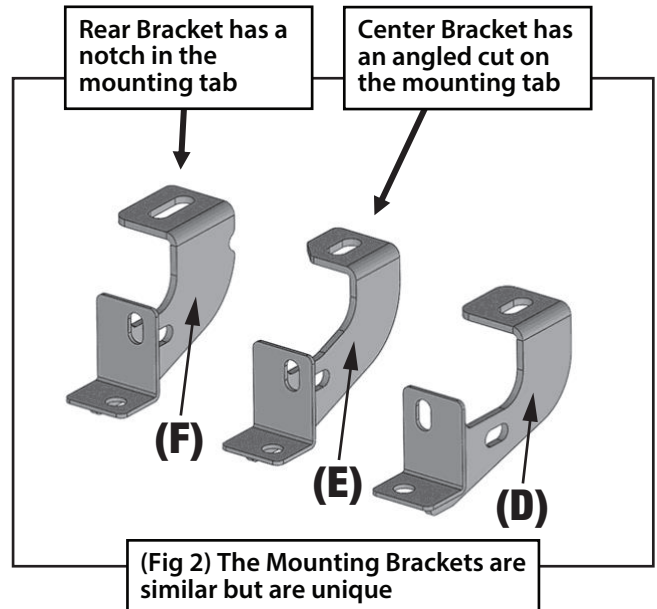


(Fig 1) Passenger/Right side front mounting location with threaded insert

STEP 2

Select the Passenger/Right Front Mounting Bracket (D). **IMPORTANT:** Use the illustration above and Fig 2 to properly identify the Mounting Bracket. Attach the Mounting Bracket (D) to the threaded insert using (1) 8mm Hex Bolt, (1) 8mm Lock Washer and (1) 8mm Flat Washer (Fig 3). DO NOT tighten hardware.

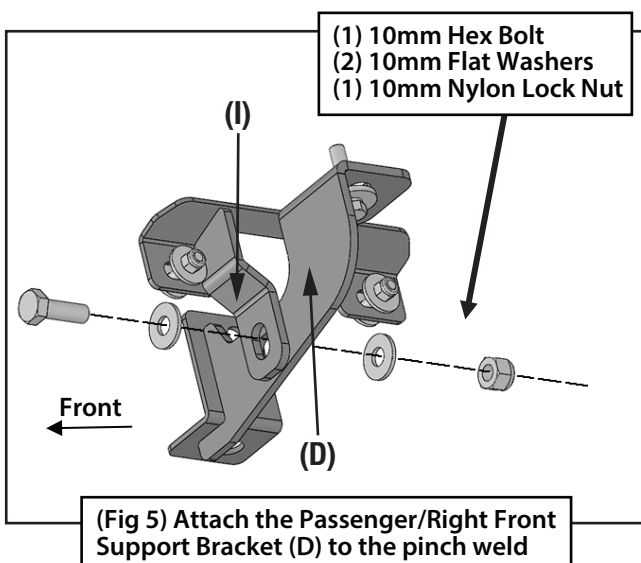
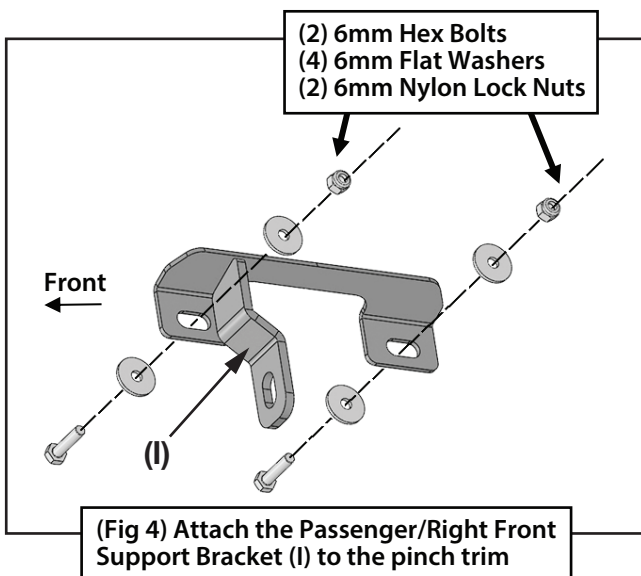
Passenger/Right Side Installation Pictured



STEP 3

Select the Passenger/Right Front Support Bracket (I). **IMPORTANT:** Use the illustration on **PAGE 1** to help identify to help identify the correct Support Bracket (I). Attach the Support Bracket (I) to the pinch weld using (2) 6mm Hex Bolts, (4) 6mm Flat Washers and (2) 6mm Nylon Lock Nuts (Fig 4). **NOTE:** Insert Bolts from the outside of the pinch weld. Attach the Support Bracket (I) to the Mounting Bracket with (1) 10mm Hex Bolt, (2) 10mm Flat Washers and (1) 10mm Nylon Lock Nut (Fig 5). **DO NOT** tighten hardware.

Passenger/Right Side Installation Pictured



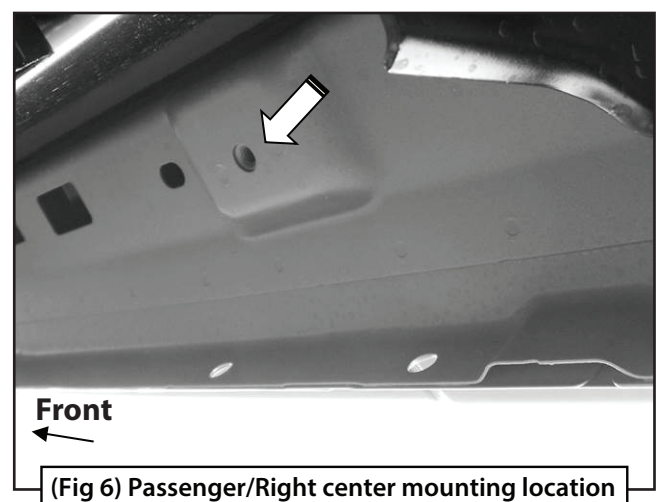
STEP 4

Move to the center mounting location and locate the threaded insert and pair of holes in the pinch weld (Fig 5). Repeat **STEPS 2 & 3** to attach the Passenger/Right Center Mounting Bracket (E) and (1) Center/Rear Support Bracket (J) (Figs 2-5). **DO NOT** tighten hardware.

STEP 5

Move to the rear mounting location on the rocker panel and locate the threaded insert and pair of holes in the pinch weld (Fig 6). Repeat **STEPS 2 & 3** to attach the Passenger/Right Rear Mounting Bracket (F) and (1) Center/Rear Support Bracket (J) (Figs 2-4 & 6). **DO NOT** tighten hardware.

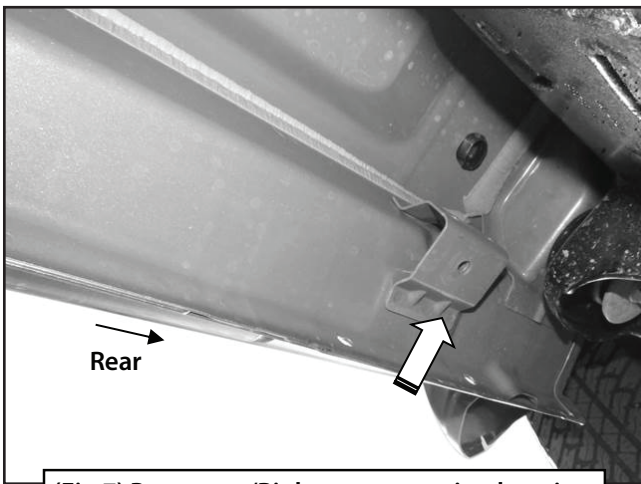
Passenger/Right Side Installation Pictured



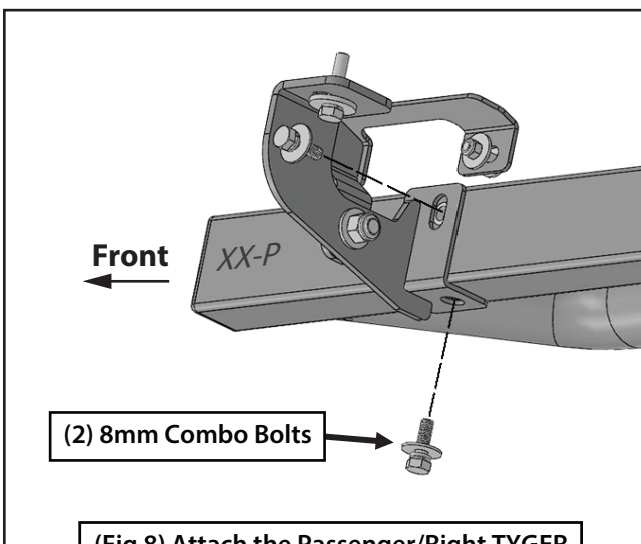
STEP 6

Select the Passenger/Right TYGER TRAX. Use the illustration above to select the correct TYGER TRAX. With assistance, attach the TYGER TRAX to the Mounting Brackets with (6) 8mm Combo Bolts (Figs 7-8). DO NOT tighten hardware.

Passenger/Right Side Installation Pictured



(Fig 7) Passenger/Right rear mounting location



(Fig 8) Attach the Passenger/Right TYGER TRAX to the Mounting Brackets

STEP 7

Level and adjust the TYGER TRAX and tighten all hardware.

STEP 8

Repeat **STEPS 1–7** for Driver/Left TYGER TRAX installation.

STEP 9

Do periodic inspections to the installation to make sure that all hardware is secure and tight.